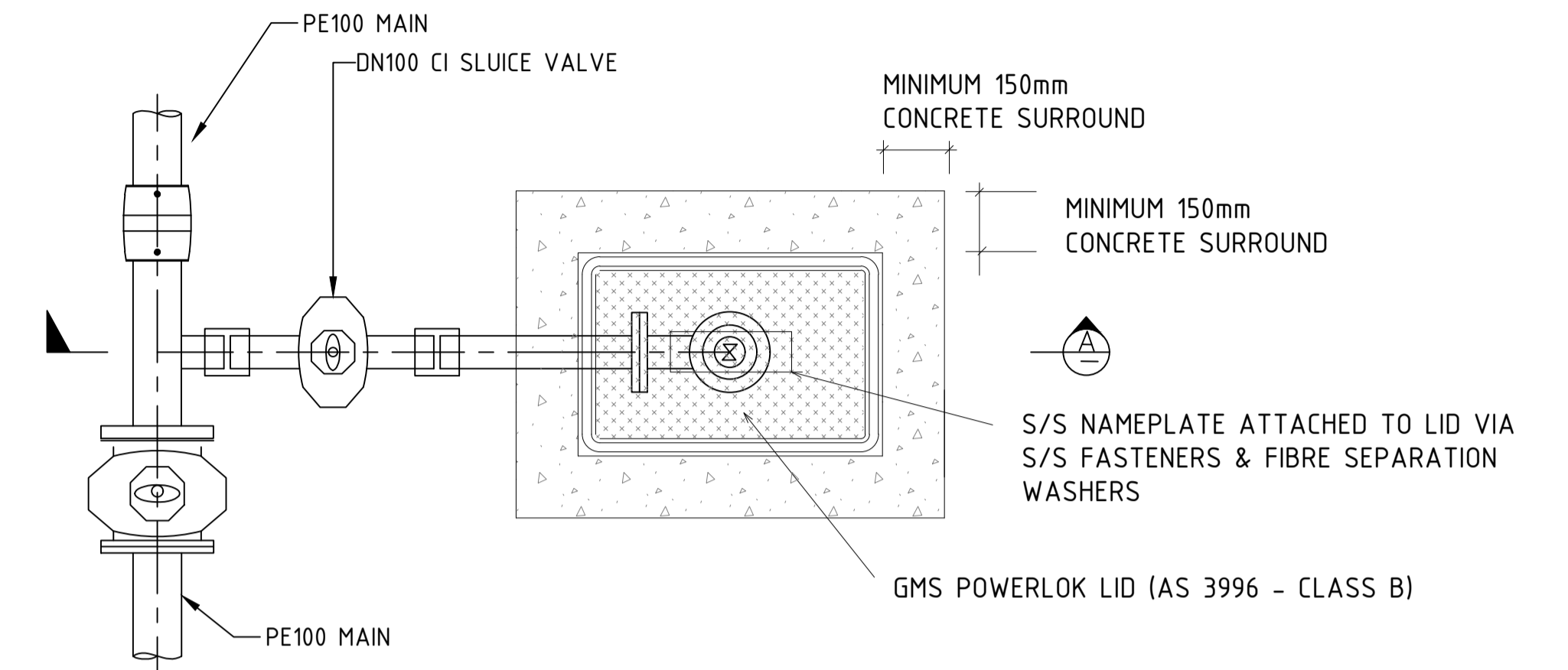
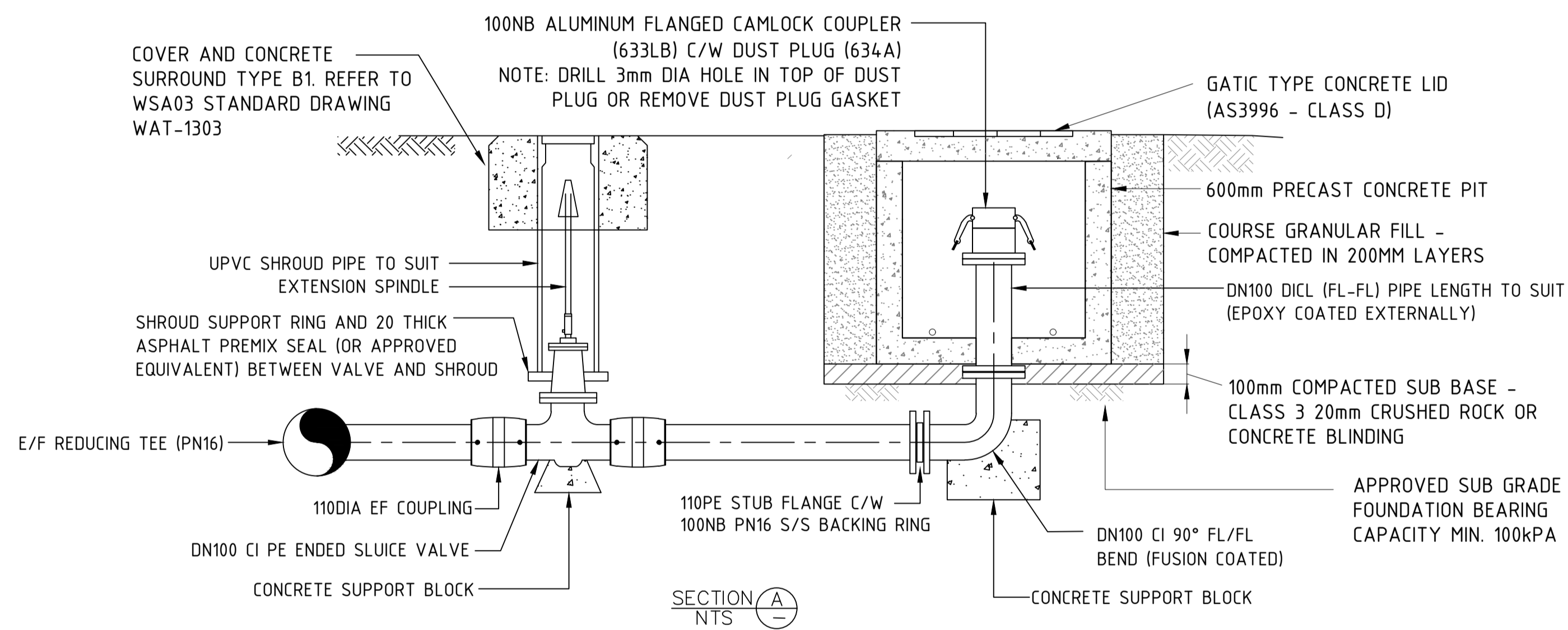


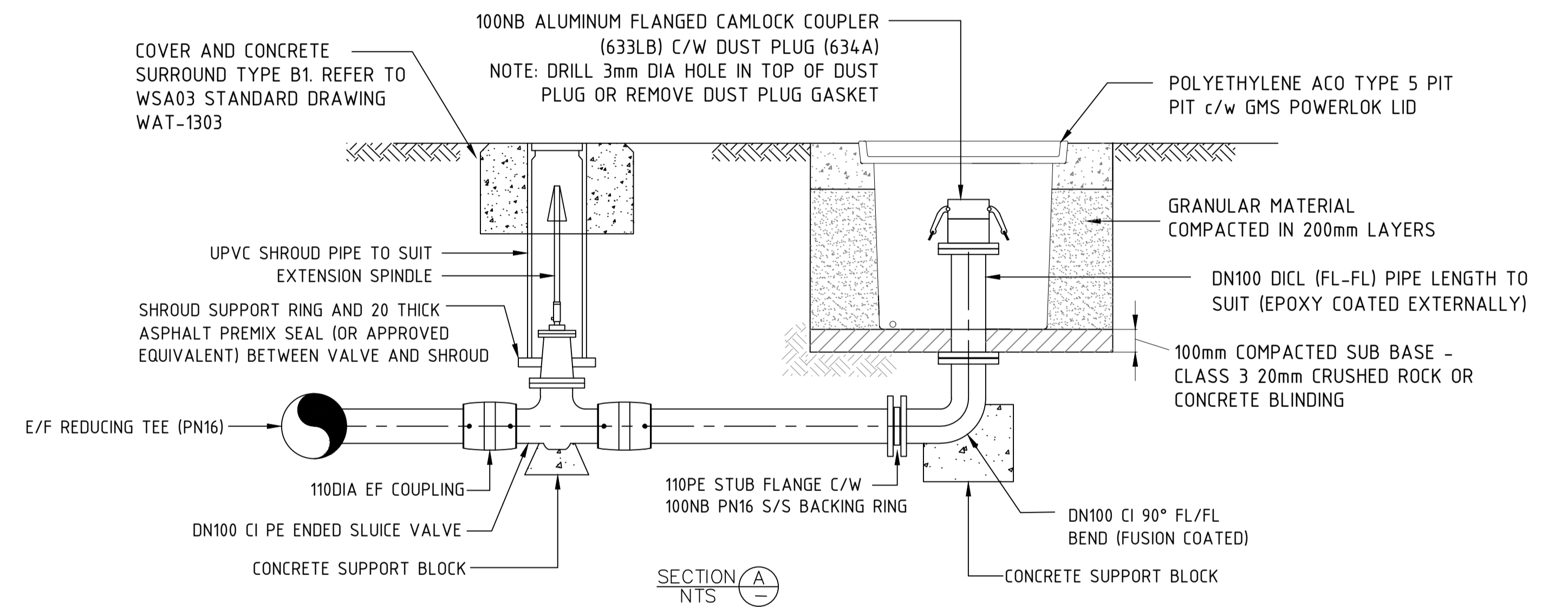
PLAN



PLAN



FLUSHING POINT TO SUIT MAIN SIZES \geq 125 DIA
TRAFFICABLE - HEAVY DUTY AS3996 CLASS D



FLUSHING POINT TO SUIT MAIN SIZES \geq 125 DIA
LIGHT DUTY - AS 3996 CLASS B

TABLE 1: FLUSHING POINT PIPE SIZES

MAIN SIZE (mm)	OFFTAKE SIZE (mm)	INTERNAL PIT PIPEWORK (mm)
110 OD	63 OD	50 NB (REFER DETAIL 1)
90 OD	63 OD	50 NB (REFER DETAIL 1)
75 OD	63 OD	50 NB (REFER DETAIL 1)
63 OD	63 OD	50 NB (REFER DETAIL 1)
50 OD	50 OD	50 NB (REFER DETAIL 1)

NOTES:

- REFER DRAWING PSS-1017A-FS FOR FLUSHING POINTS INSTALLED ON MAINS < DN125
http://flowsystems.com.au/governance/Land_Housing/PSS-1017A-FS.pdf
- E/F BRANCH SADDLES ARE ONLY PERMITTED FOR CONNECTIONS TO 'LIVE' MAINS
- FLUSHING POINT BRANCH LINE TO BE INSTALLED ON SIDE OF MAIN (NOT ON TOP)

REV	DATE	DESCRIPTION	BY	APPROVED
0	14/12/16	NEW DRAWING	NC	NC
		SUPERSEDES PSS-1007 & PSS-1017-FS		

DESIGNED:	CK
DRAWN:	SR
CHECKED:	RS

DRG No.	NOT TO SCALE	REV
PSS-1017B-FS		0