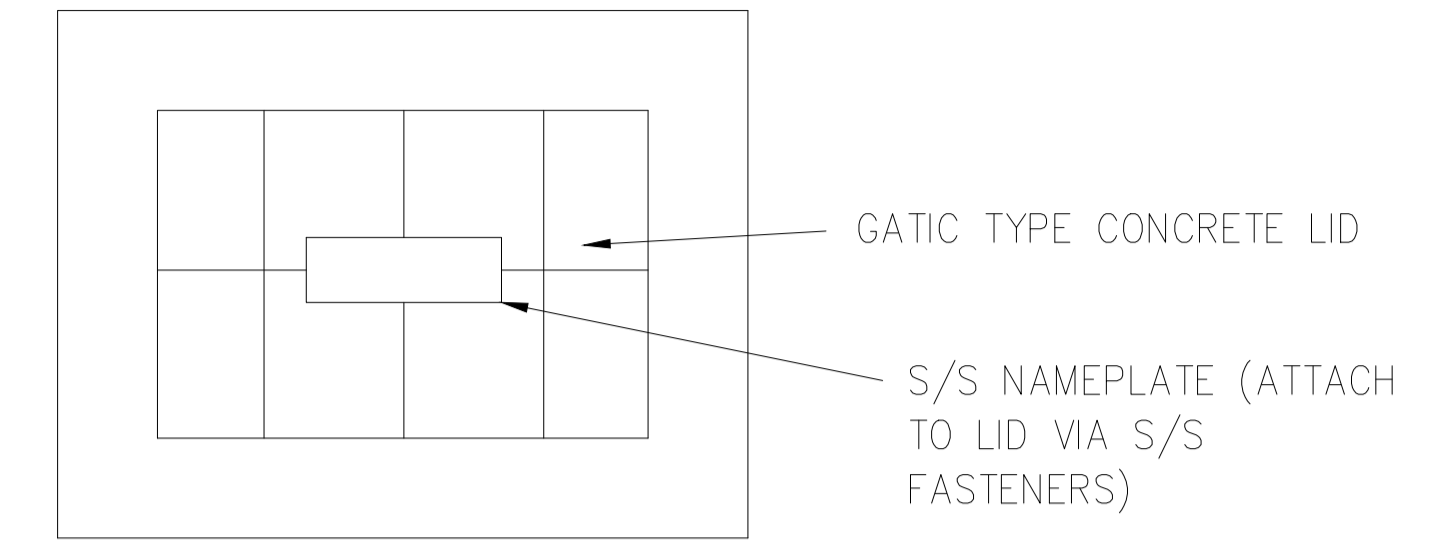
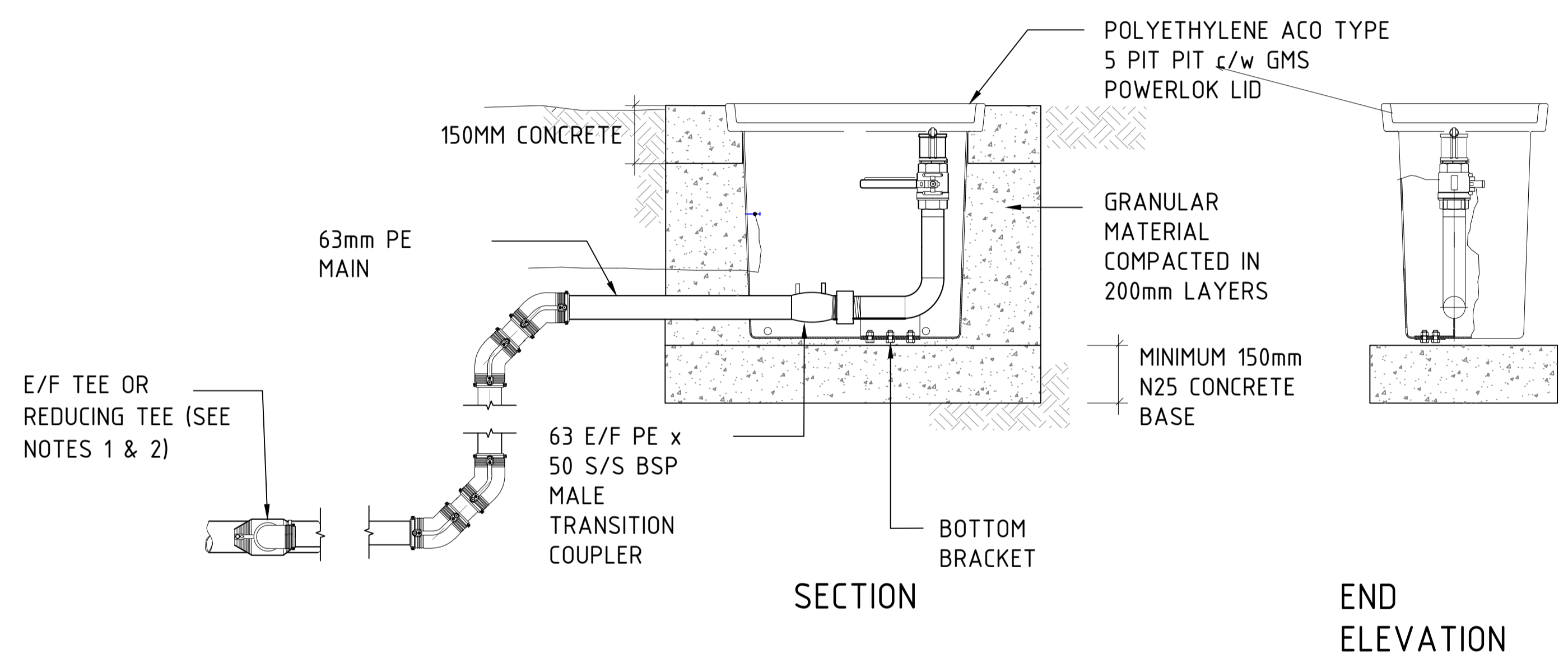


PLAN



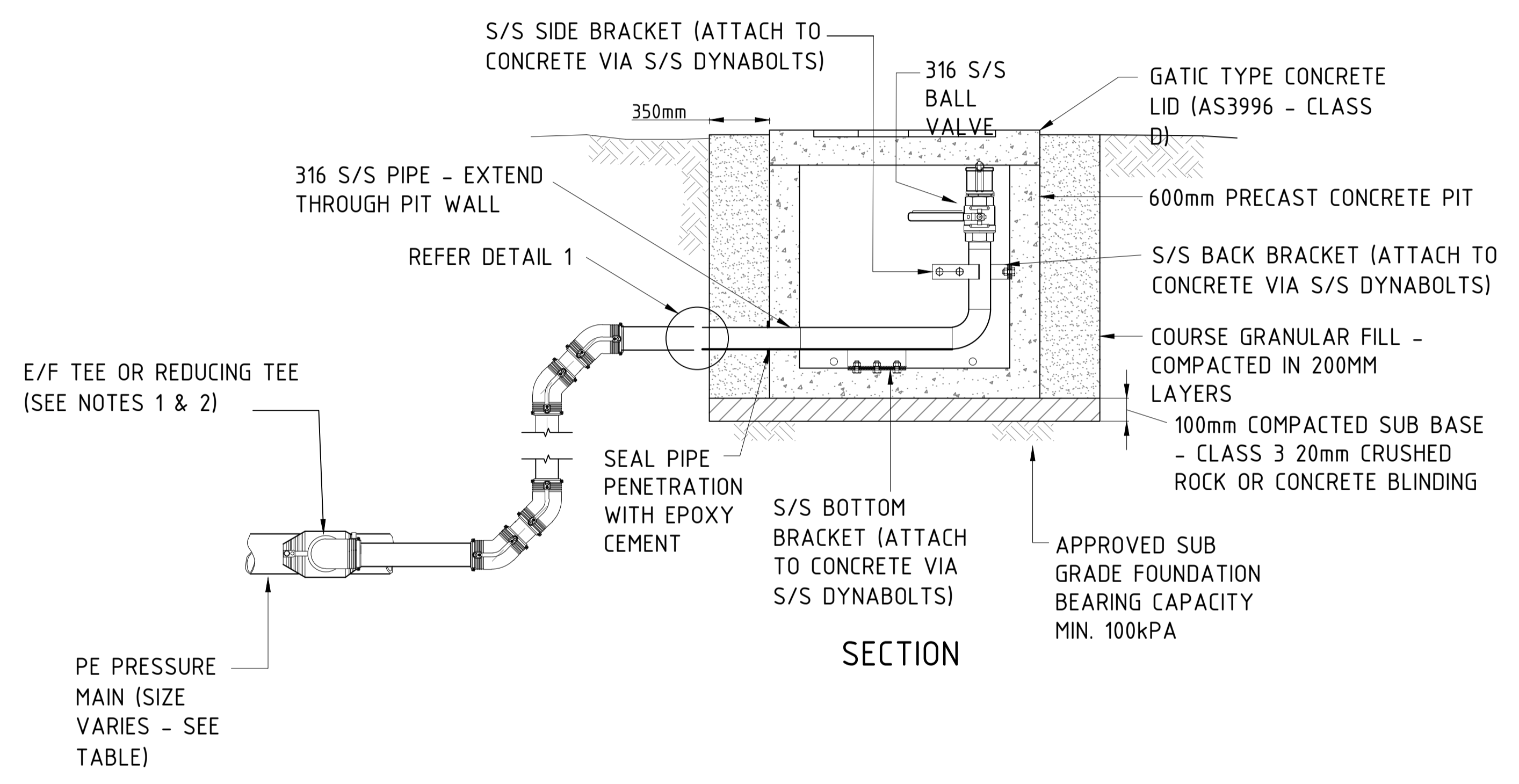
PLAN



SECTION

END ELEVATION

FLUSHING POINT TO SUIT MAIN SIZES ≤ 110 DIA
NON-TRAFFICABLE - LIGHT DUTY AS 3996 CLASS B

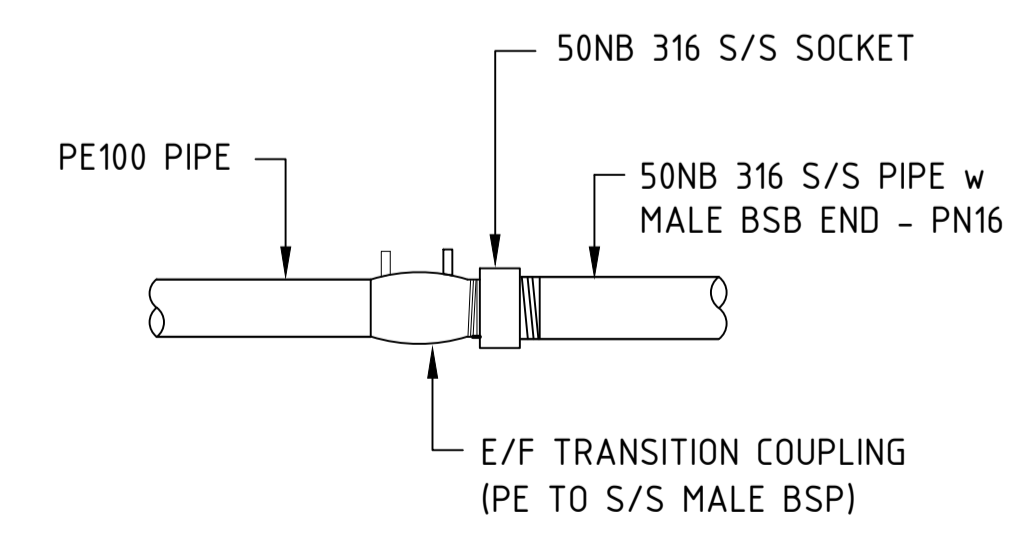


SECTION

FLUSHING POINT TO SUIT MAIN SIZES ≤ DN110
TRAFFICABLE - HEAVY DUTY AS3996 CLASS D

TABLE 1: FLUSHING POINT PIPE SIZES

MAIN SIZE (mm)	OFFTAKE SIZE (mm)	INTERNAL PIT PIPEWORK (mm)
110 OD	63 OD	50 NB (REFER DETAIL 1)
90 OD	63 OD	50 NB (REFER DETAIL 1)
75 OD	63 OD	50 NB (REFER DETAIL 1)
63 OD	63 OD	50 NB (REFER DETAIL 1)
50 OD	50 OD	50 NB (REFER DETAIL 1)



DETAIL 1

- NOTES:
- REFER DRAWING PSS-1017B-FS FOR FLUSHING POINTS INSTALLED ON MAINS > DN110 http://flowsystems.com.au/governance/Land_Housing/PSS-1017B-FS.pdf
 - E/F BRANCH SADDLES ARE ONLY PERMITTED FOR CONNECTIONS TO 'LIVE' MAINS
 - FLUSHING POINT BRANCH LINE TO BE INSTALLED ON SIDE OF MAIN (NOT ON TOP)

SIZE A1

DESIGNED:	CK			
DRAWN:	SR			
CHECKED:	RS			
REV	DATE	DESCRIPTION	BY	APPROVED
0	14/12/16	NEW DRAWING	NC	NC
		SUPERSEDES PSS-1007 & PSS-1017-FS		



DRG TITLE:	STANDARD PRESSURE SEWER FLUSHING POINT - SMALL MAINS	NOT TO SCALE	REV
		DRG No.	PSS-1017A-FS
			0