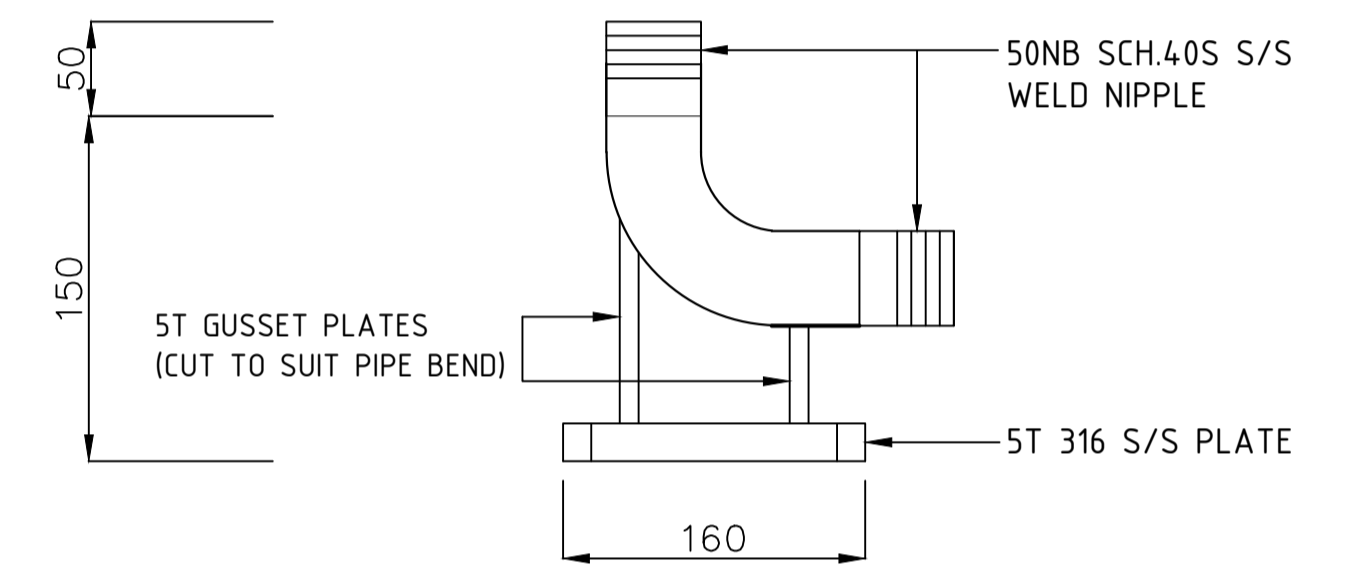
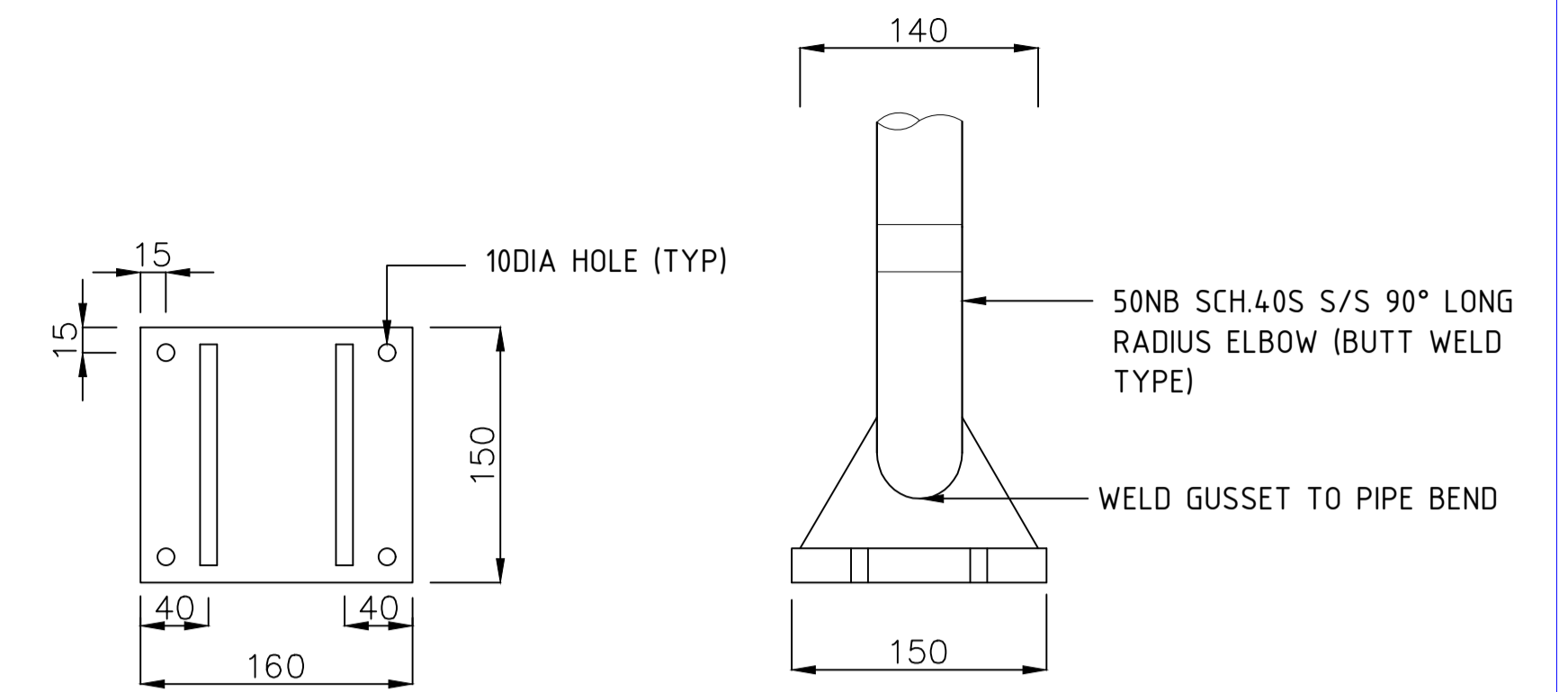


AIR VALVE DETAIL

- NOTES:
1. SEAL WALL PENETRATION WITH EPOXY CEMENT OR NON SHRINK STRUCTURAL GROUT (BASF MASTERFLOW 830 OR EQUAL) - FULL WALL DEPTH.
  2. INSTALL RAMSET DYNASET 'DROP-IN ANCHORS' INTO CONCRETE SLAB AND FASTEN COVER WITH M8x40 S/S POST TORX SOCKET BUTTON HEAD SECURITY SCREWS.

ODOUR FILTER LOCATION TO BE DETERMINED BY DEVELOPER -  
McBERNS GROUND MOUNT ODOUR FILTER GM300 -  
INSTALL IN ACCORDANCE WITH MANUFACTURES  
INSTRUCTIONS. PROTECT FILTER ON FACES EXPOSED  
TO TRAFFIC (IF NECESSARY) - REFER TO DETAIL 2.



DETAIL 1: SUPPORT BRACKET

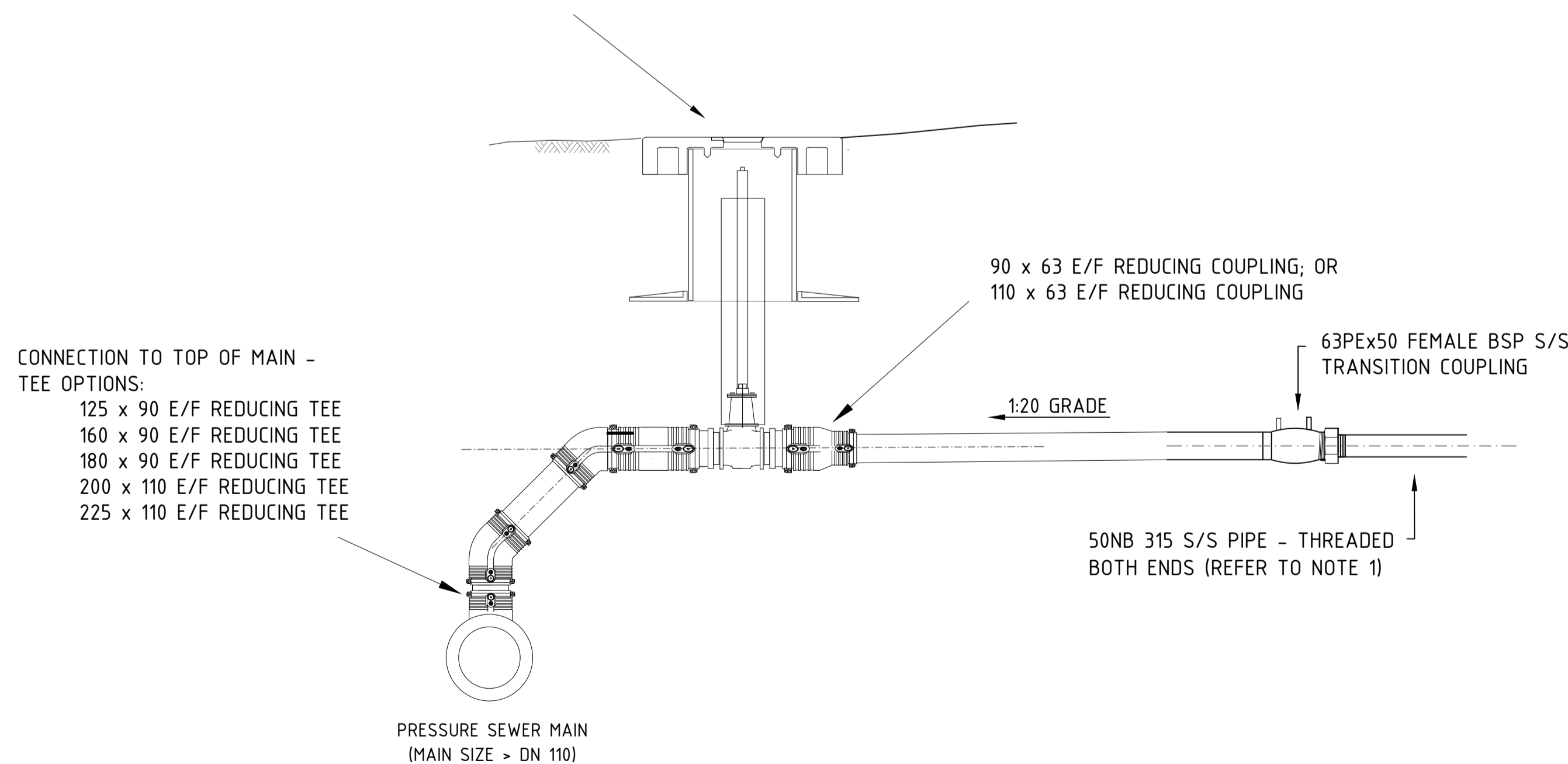


DETAIL 3: IDENTIFICATION PLATE

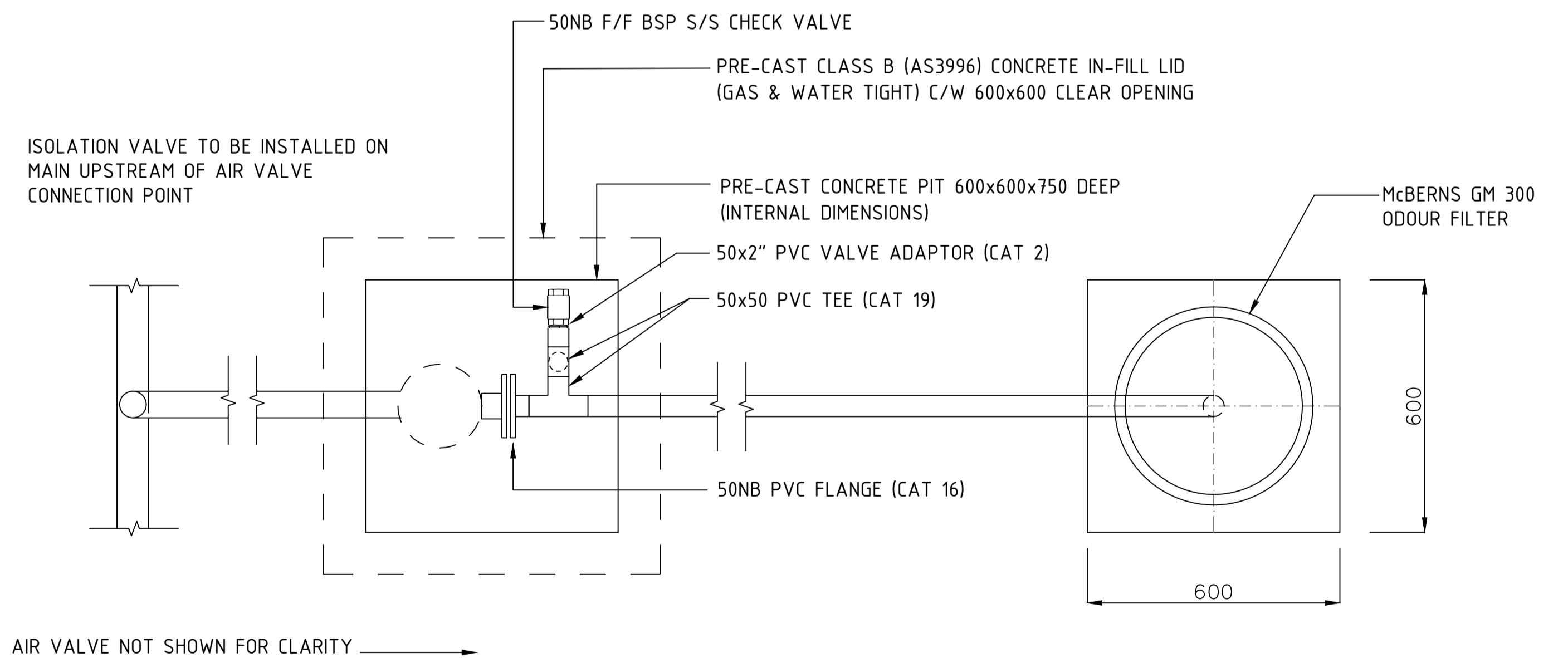
- CONNECTION TO TOP OF MAIN -  
TEE OPTIONS:  
63 x 63 E/F TEE  
75 x 63 E/F REDUCING TEE  
90 x 63 E/F REDUCING TEE  
110 x 63 E/F REDUCING TEE

REFER TO DETAIL 2 FOR CONNECTION TO MAINS GREATER THAN DN110

ISOLATION GATE VALVE - REFER DRAWING PSS-1015-FS FOR DETAIL  
[https://flowsystems.com.au/governance/Land\\_Housing/PSS-1015-FS.pdf](https://flowsystems.com.au/governance/Land_Housing/PSS-1015-FS.pdf)



DETAIL 2: CONNECTION TO MAINS <110



AIR VALVE NOT SHOWN FOR CLARITY

SIZE  
A1

REV	DATE	DESCRIPTION	BY	APPROVED
8	14/03/17	ADDED DETAIL 2 FOR LARGER MAINS	NC	NC
7	01/04/16	AMENDMENTS AS PER FS REQUIREMENTS	CK	NC
6	22/03/16	ODOUR FILTER RE-LOCATED AS OFFSET PIPE	CK	NC
5	04/02/16	IDENTIFICATION PLATE ADDED	CK	NC
4	19/10/15	VENTING ARRANGEMENT MODIFIED	CK	NC
3	2/7/15	FOR CONSTRUCTION	CK	WBG

DESIGNED:	CK
DRAWN:	SR
CHECKED:	RS

flow systems

DRG TITLE:  
STANDARD BELOW GROUND  
AIR VALVE DETAILS

NOT TO SCALE  
DRG No.  
PSS-1016B-FS

REV  
8