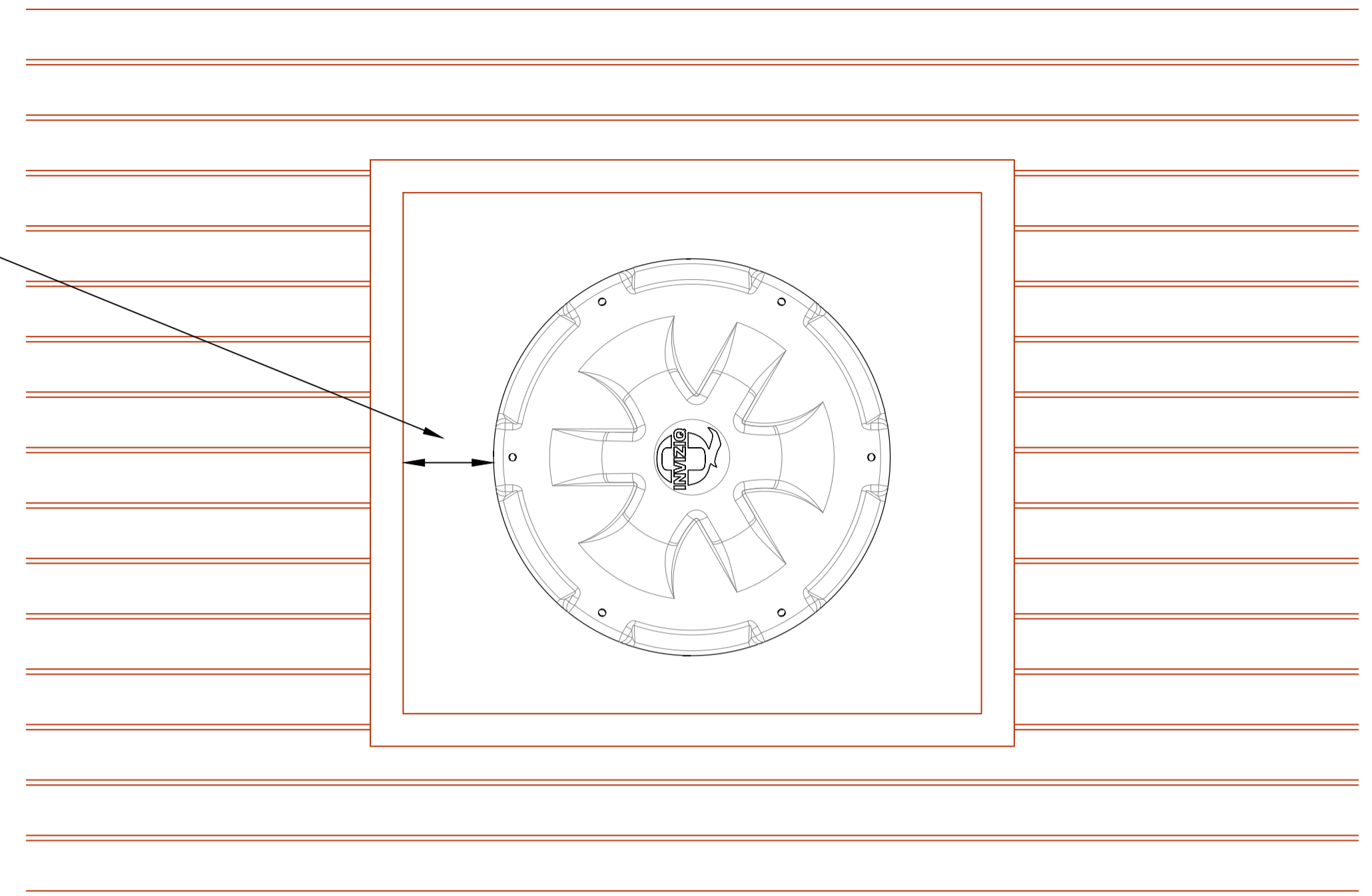


NOTES:

1. HATCH MUST BE EASILY REMOVABLE AND MAX. LIFTING WEIGH OF 20 KG
2. HATCH MUST BE HINGED WITH HANDLE FOR LIFTING
3. THERE MUST BE ADEQUATE DRAINAGE SO THAT WATER CANNOT POOL AROUND THE TANK

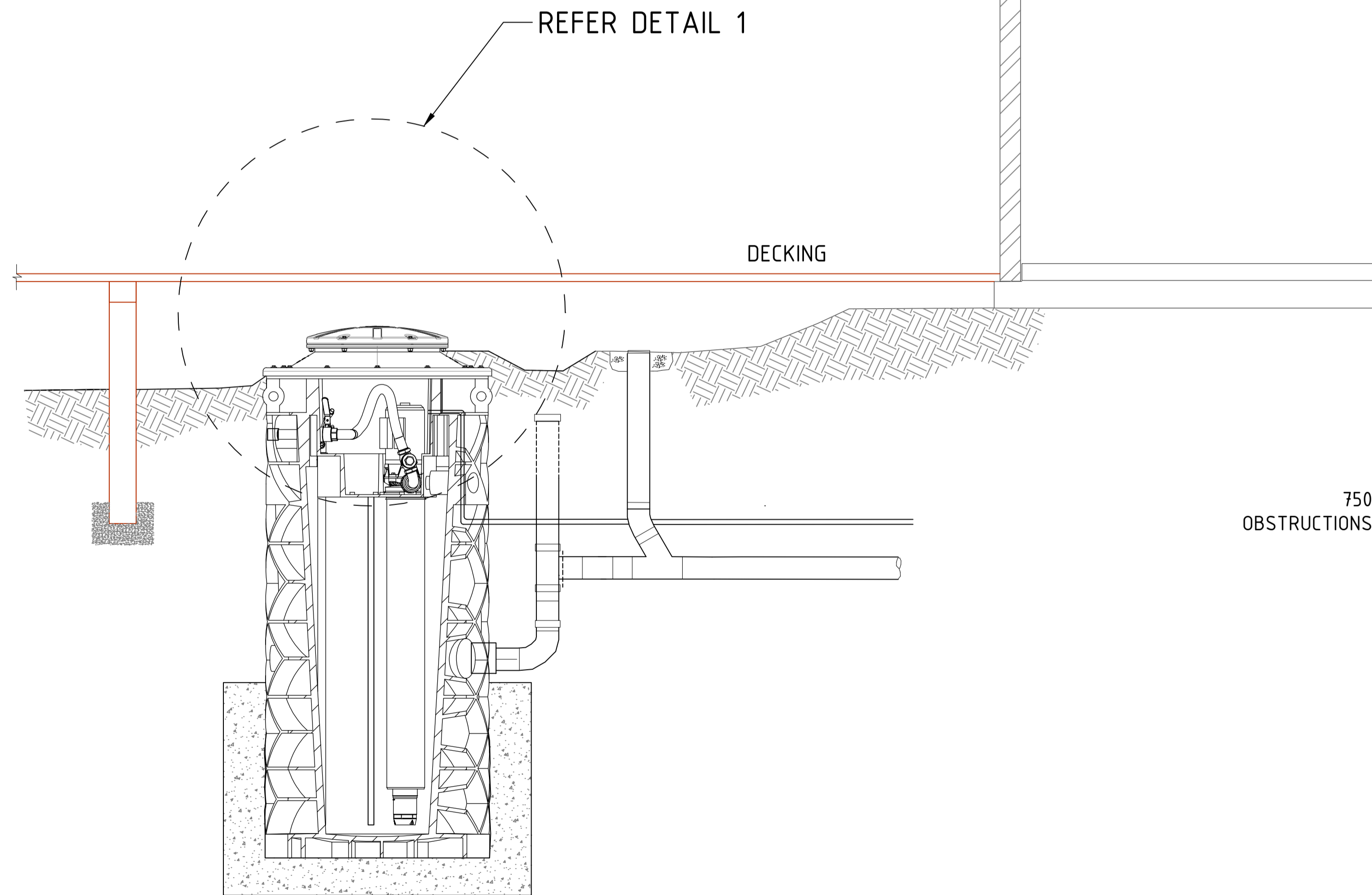
Please note that Flow Systems will not be liable for any damage to the deck. The waste water tank must be accessible 24/7 and if our technicians are required to remove any part of the decking in order to work on the tank then this will be at your cost.

250mm MIN. GAP BETWEEN EDGE OF LID AND EDGE OF OPENING



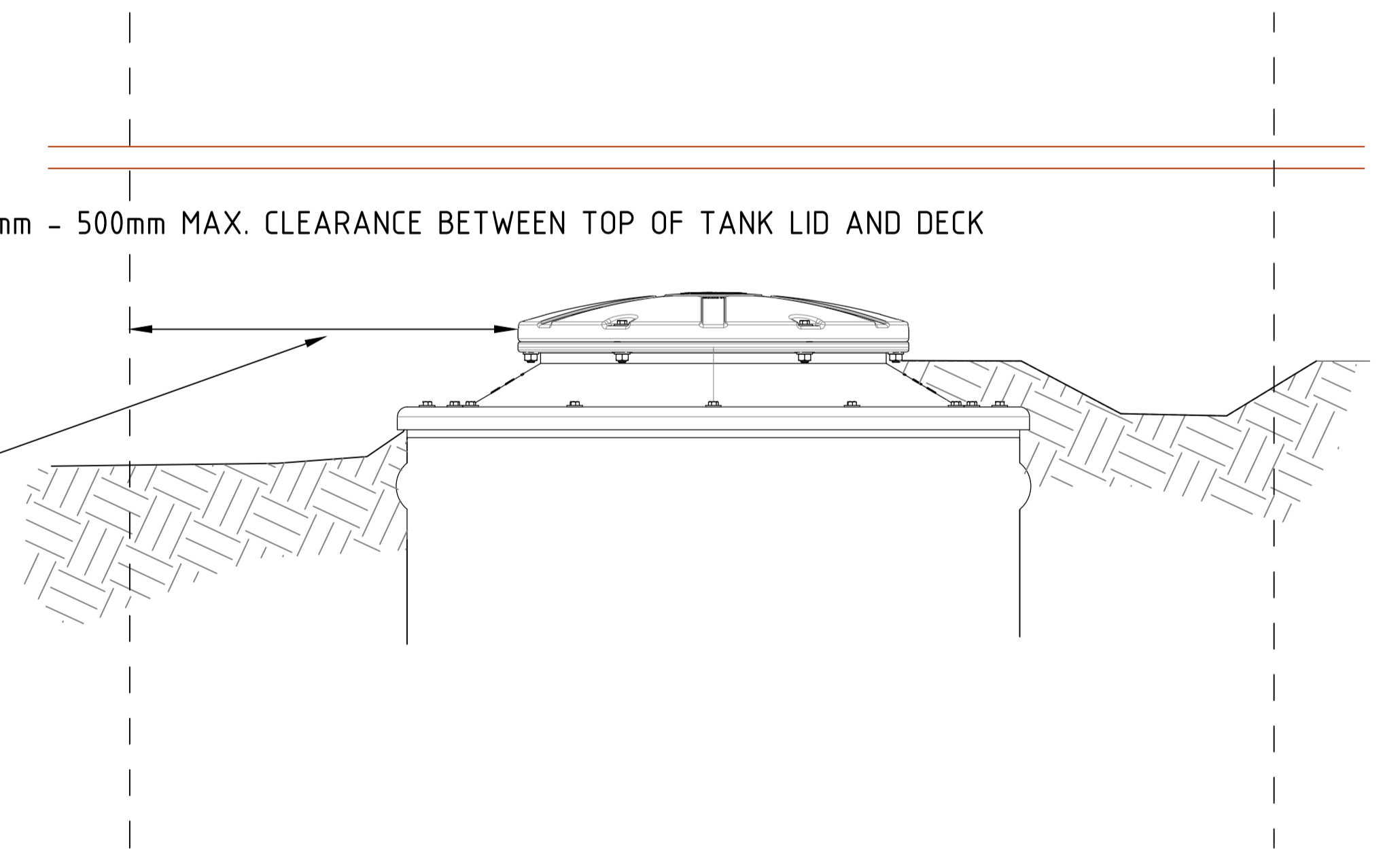
DETAIL 1 - PLAN

REFER DETAIL 1



50mm - 500mm MAX. CLEARANCE BETWEEN TOP OF TANK LID AND DECK

750mm SPACE FREE FROM OBSTRUCTIONS AROUND EDGE OF LID



DETAIL 1 - SECTION

SIZE
A1

REV	DATE	DESCRIPTION	BY	APPROVED
0	23/09/16	NEW DRAWING	NC	NC

DESIGNED:	CK
DRAWN:	SR
CHECKED:	RS

flow systems

DRG TITLE:
SERVICE HATCH REQUIREMENTS FOR
BUILDING A DECK OVER A SEWER
COLLECTION TANK

DRG No.	NOT TO SCALE	REV
FSI-SK06A-FS		0