

J:\500-Cad-data\Standard Drawings\Flow Systems\Developer Drawings\SK05_Property Sewerage Servicing Guidelines - Non Standard Super Lot Detail.dwg

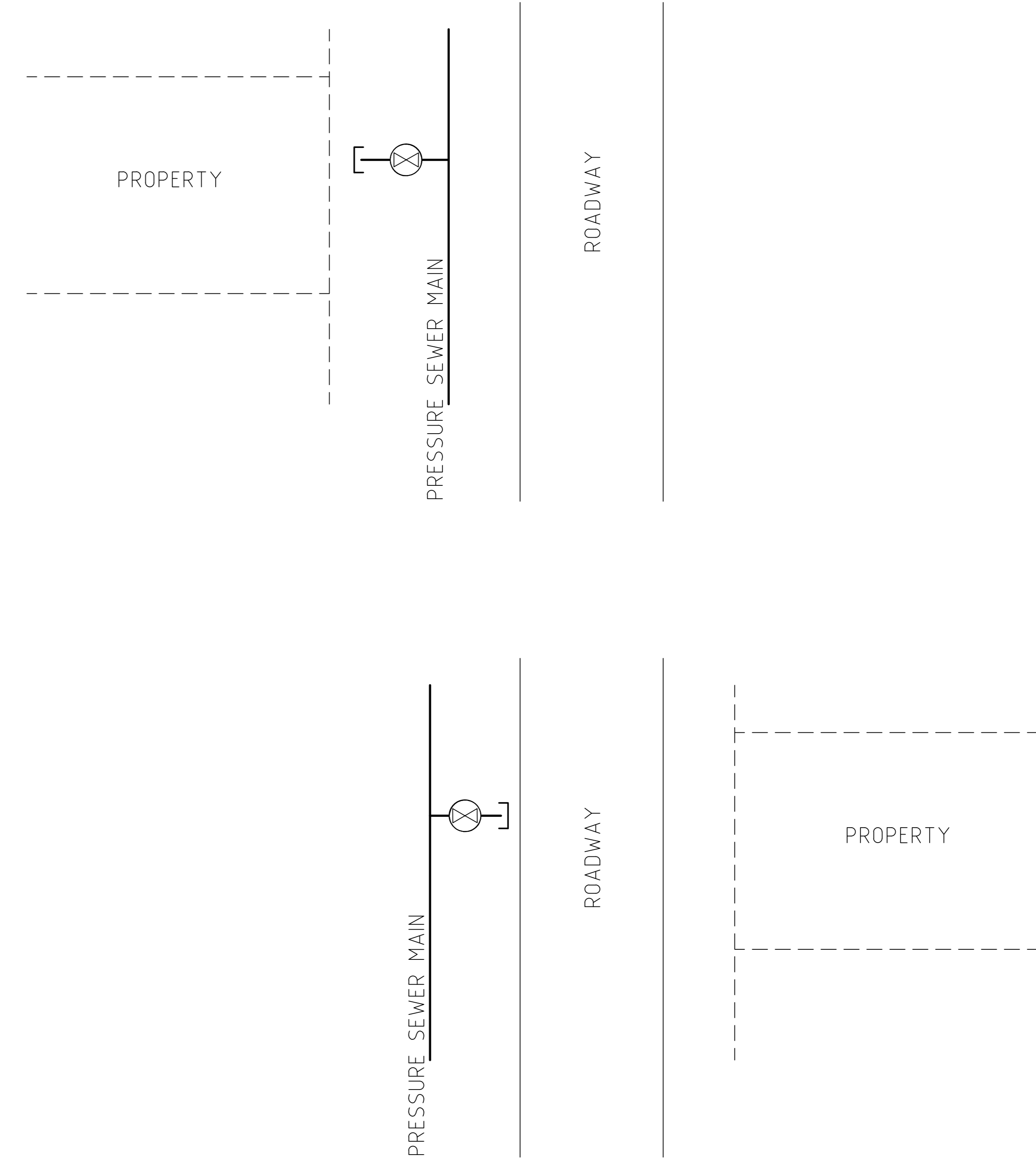
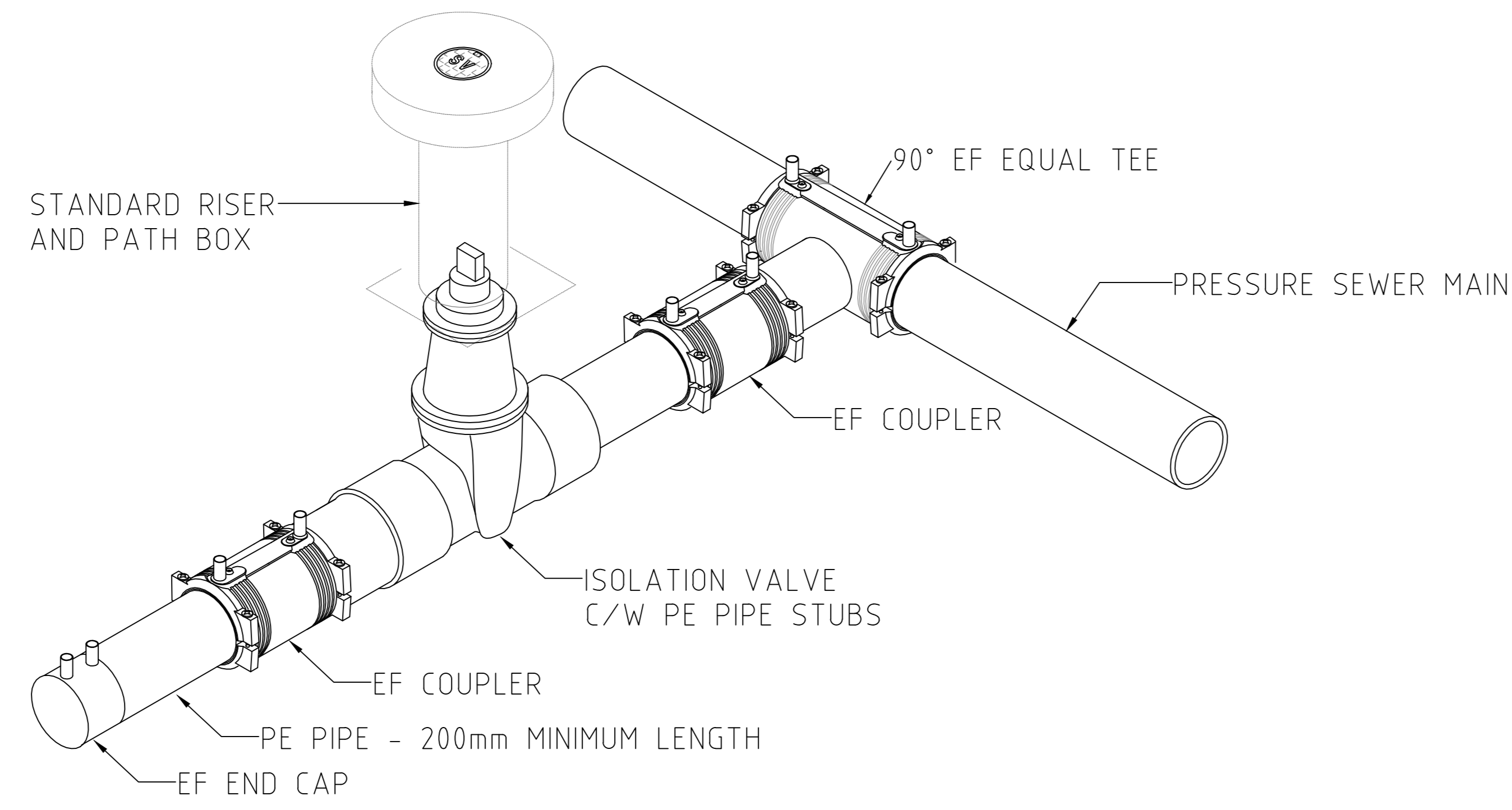


FIGURE 12 NON-STANDARD 'SUPER LOT' CONNECTION DETAIL