

WORK-AS-CONSTRUCTED

PITT TOWN CENTRAL PRECINCT

STAGE 3C

PRESSURE SEWER & RECYCLED WATER



LOCALITY PLAN
(NOT TO SCALE)

DRAWING LIST	
SHEET 1	COVER SHEET
SHEET 2	GENERAL NOTES
SHEET 3	PRESSURE SEWER DETAIL PLAN
SHEET 4	COLLECTION TANK LEVEL DETAILS
SHEET 5	RECYCLED WATER DETAIL PLAN

SERVICE	DATE	REF.
DEVELOPER		
PROJECT SUPERVISOR		
CONTRACTOR		
COMPLETED		

WORK-AS-CONSTRUCTED CERTIFICATION

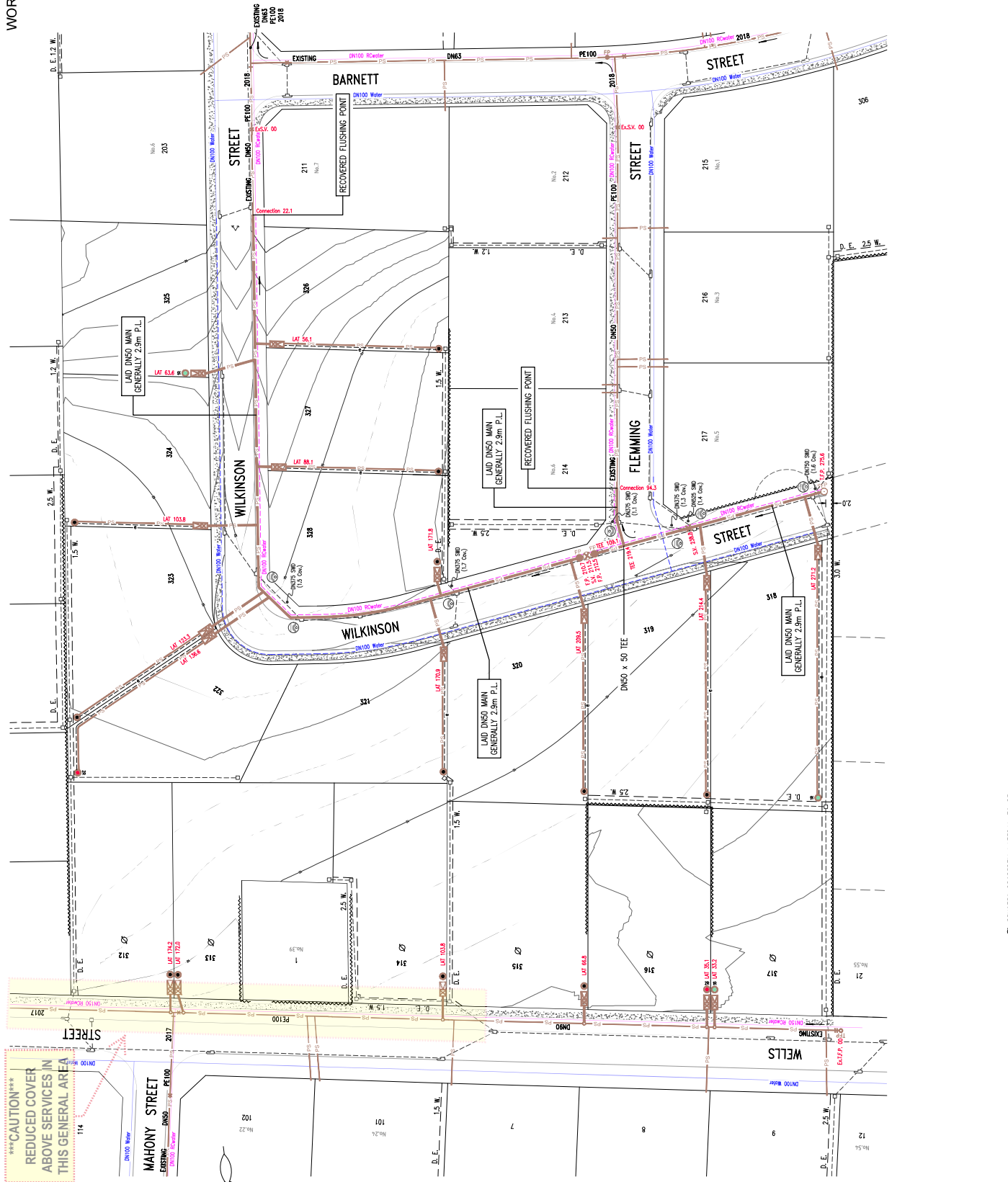
ROSE ATKINS RIMMER (Infrastructure) Pty. Ltd.
 WATER RELATED INFRASTRUCTURE DESIGN AND IMPLEMENTATION
 12 SUNBRIGHT ROAD, BELCONNEN NSW 2615
 P.O. BOX 100, BELCONNEN NSW 2615
 PH: (02) 9552 2200 FAX: (02) 9511 3399
 Incorporated in New South Wales



PLAN OF PROPOSED WATER INFRASTRUCTURE SERVICES
 PITT TOWN CENTRAL PRECINCT - STAGE 3C
 PROPOSED ROAD OFF HALLS STREET, PITT TOWN
 L.G.A., HAWKESBURY

NO.	REVISION	DATE	BY	DATE
01	WORK-AS-CONSTRUCTED	D.S.	3/12/19	
02	DESIGN REVISED AS PER UPDATED ENGINEERING	K.G.	15/01/19	
03	ORIGINAL ISSUE FOR APPROVAL	K.G.		

COVER SHEET		SHEET 1 OF 5		DRAWN BY		DATE	
NO.	REVISION DESCRIPTION	NO.	DATE	NO.	DATE	NO.	DATE
01	WORK-AS-CONSTRUCTED	01	15/01/19	01	15/01/19	01	15/01/19



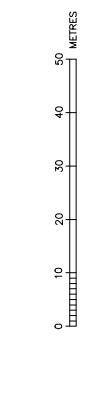
PRESSURE SEWER LEGEND

X	STOP VALVE
⊗	STOP VALVE (NORMALLY CLOSED)
⊘	TAPER
○	FLUSHING POINT
○	TEMPORARY FLUSHING POINT
⊞	PROPERTY BOUNDARY KIT
⊞	COLLECTION TANK (STANDARD)
⊞	COLLECTION TANK (WITH 300mm RISER)
⊞	COLLECTION TANK (WITH 230mm RISERS)
⊞	CONTROL/ALARM PANEL
⊞	ELECTRICAL CABLES
⊞	FLOW METER
⊞	AIR VALVE
⊞	PRESSURE MONITORING POINT
⊞	REMOTE MONITORED PRESSURE TRANSDUCER
X	VERTICAL DEFLECTION

⊞ DENOTES PROPERTY LATERAL TO BE INSTALLED ON EXISTING MAIN. LATERAL BE INSTALLED TO EXISTING MAIN. LATERAL BE INSTALLED AS NEW SPECIFICATION MAIN (i.e. ADVANCED NOTICE FOR CONNECTION, PRESSURE TESTING etc.)

⊞ DENOTES LAY MAIN UNDER SERVICE

⊞ DENOTES LAY MAIN OVER SERVICE



ROSE ATKINS RIMMER (Infrastructure) Pty. Ltd.
RAR WATER RELATED INFRASTRUCTURE ENGINEERING AND CONSULTING
 1/2 SANMAYHEE ROAD, BLACKBURN
 VIC 3133
 PH: (03) 9653 0000 FAX: (03) 9671 7399
 Incorporated in New South Wales

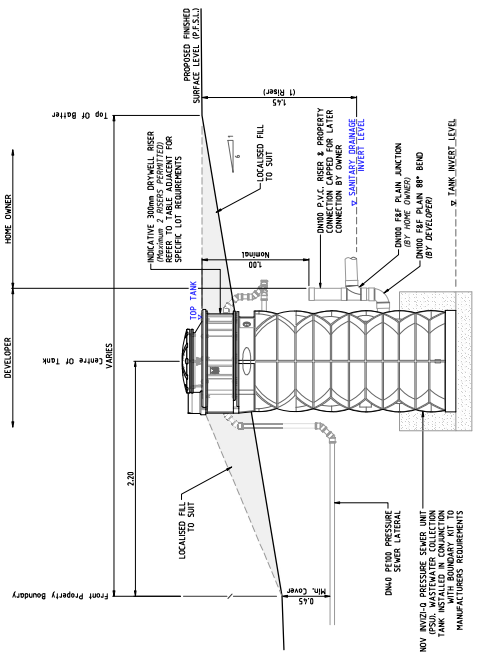
PRESSURE SEWER DETAIL PLAN

PROJECT	NO. 203-218
CLIENT	NO. 203-218
DATE	15/03/2019
DESIGNER	ROSE ATKINS RIMMER
CHECKER	ROSE ATKINS RIMMER
DATE	15/03/2019

PRESSURE SEWER COLLECTION TANK LEVEL DETAILS
PITT TOWN DEVELOPMENT - CENTRAL PRECINCT [STAGE 3C]

LOT NUMBER	COLLECTION TANK LOCATION <i>[FRONT / REAR]</i>	TANK SIZE <i>[900L / 2200L]</i>	PISLAT TANK LOCATION	QUANTITY OF DRIVEL RISERS REQUIRED	TOP OF COLLECTION TANK <i>[Design R.L.]</i>	DESIGN SANITARY DRAINAGE INVERT LEVEL <i>[Design R.L.]</i>	TOP OF COLLECTION TANK <i>[Work-As-Constructed]</i>	CALCULATED SANITARY DRAINAGE INVERT LEVEL <i>[Work-As-Constructed]</i>	WVAC v. DESIGN INVERT LEVEL COMPARISON <i>[- (LOWER) / + (HIGHER)]</i>
312	FRONT/EA*	900L	25.87		24.05	22.80	24.26	22.92	0.02
313	FRONT/EA*	900L	25.86		24.04	22.89	24.30	22.96	0.07
314	FRONT/EA*	900L	25.85		24.03	22.98	24.35	23.01	0.08
315	FRONT/EA*	900L	25.84		24.02	22.66	23.65	21.52	0.05
316	FRONT/EA*	900L	25.35		23.53	21.78	23.62	21.68	-0.10
317	FRONT/EA*	900L	25.24	2	23.42	21.97	23.48	21.84	-0.13
318	REAR	900L	25.34	1	23.52	22.07	23.75	22.11	0.04
319	REAR	900L	23.72	1	23.72	22.57	23.93	22.99	0.02
320	REAR	900L	23.83		24.01	22.86	23.94	22.69	-0.26
321	REAR	900L	24.13		24.31	23.16	24.40	23.06	-0.10
322	REAR	900L	24.56		24.74	22.99	24.99	23.05	0.08
323	REAR	900L	24.56		24.74	22.99	24.99	23.05	0.08
324	REAR	900L	24.77		24.85	23.74	25.10	23.75	0.02
325	FRONT/EA*	900L	25.47	1	25.65	24.20	25.89	24.75	0.05
326	REAR	900L	24.72		24.72	23.57	24.91	23.57	0.00
327	REAR	900L	26.42		24.60	23.45	24.80	23.45	0.01
328	FRONT/EA*	900L	26.43		24.61	23.46	24.83	23.49	0.03

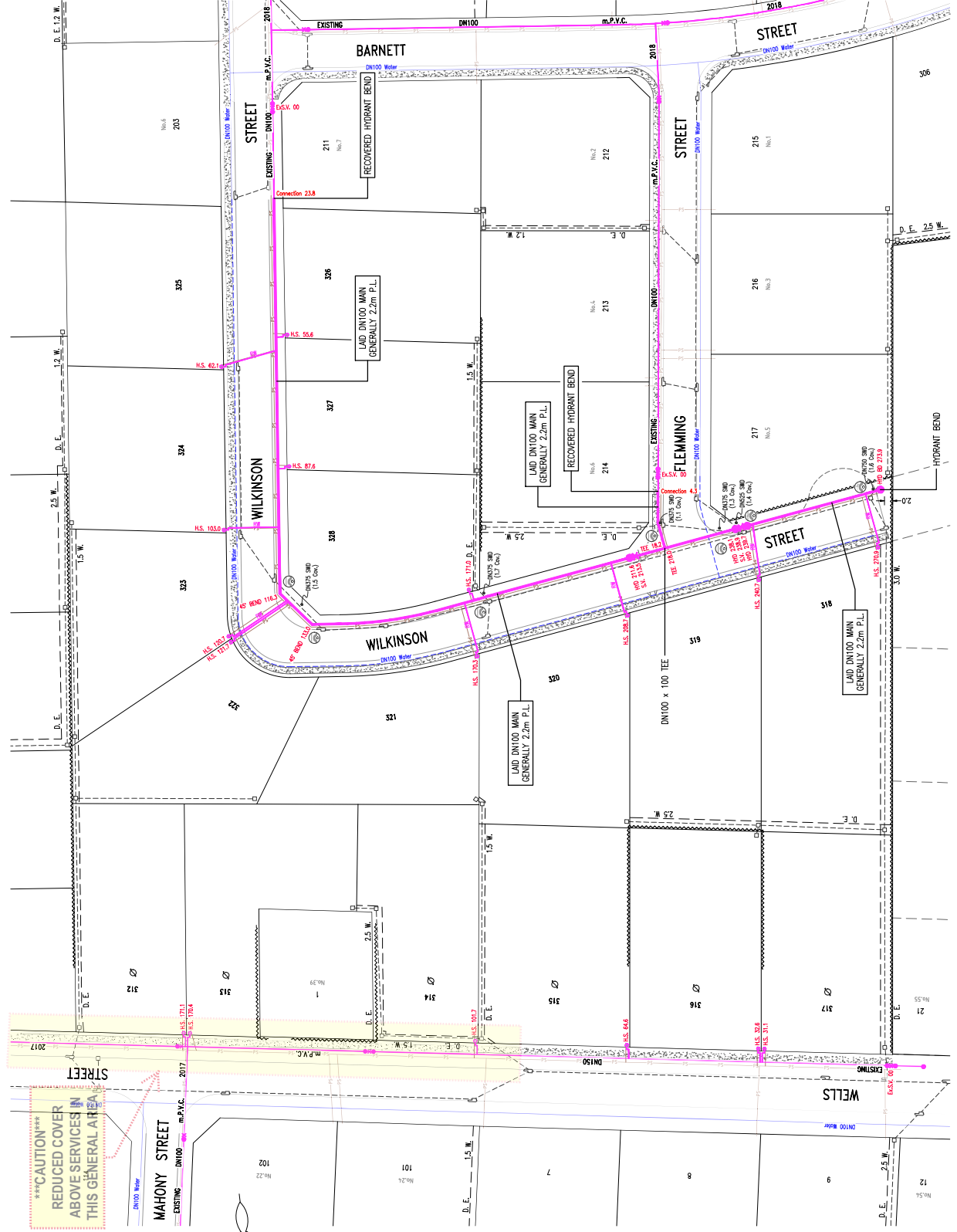
* COLLECTION TANK LEVEL PROVIDED TO GP'S ACCURACY ONLY. DESIGNER SHALL VERIFY AND CHANGE CONNECTIONS PRIOR TO FINING CONNECTION TO TANK.



COLLECTION TANK SECTIONAL ELEVATION
SCALE 1:25

COLLECTION TANK NOTES

- DESIGN SURFACE LEVELS WERE ELECTRONICALLY EXTRACTED FROM DIGITAL DATA SUPPLIED BY THE DEVELOPER. DESIGNER HAS CONDUCTED VISUAL CHECKS OF DESIGN SURFACE LEVELS. DESIGNER HAS CONDUCTED VISUAL CHECKS OF DESIGN SURFACE LEVELS. DESIGNER HAS CONDUCTED VISUAL CHECKS OF DESIGN SURFACE LEVELS.
- DESIGN LEVELS CAN ONLY BE ASSUMED AS CORRECT AT THE OF DETECTION. ALL LEVELS SHOULD BE COMPARED WITH THE SITE SUPERVISOR'S PRIOR TO INSTALLATION OF TANKS SHOULD THE PROPOSED FINISHED SURFACE LEVEL (P.F.S.L.) DIFFER FROM DESIGN BY MORE THAN 100mm. THE CONSTRUCTOR SHALL CONTACT THE DESIGNER IMMEDIATELY.
- COLLECTION TANK SETOUT SHALL BE COMPLIANT WITH *AS-1000-FS & FS-S003A-FS*. COLLECTION TANK INSTALLATION LEVELS DOCUMENTED ADJACENT SHALL SUPREDECE ANY LEVELS ADVISED ON DRAWING FS-S003A-FS.
- P.A.A. ACCEPT NO RESPONSIBILITY FOR INCONSISTENCIES IN EXTRACTED LEVELS RESULTING FROM CHANGES TO THE MODEL (SURFACE LEVEL) INFORMATION POST DATE EXTRACTION DATE.



*****CAUTION*****
 REDUCED COVER
 ABOVE SERVICES IN
 THIS GENERAL AREA

RECYCLED WATER LEGEND

	PROPOSED MAIN
	EXISTING MAIN
	FUTURE MAIN
	STOP VALVE
	STOP VALVE (BYPASS)
	HYDRANT
	CONTROL VALVE (HYDRANT)
	TAPER
	WATER SERVICE CONNECTION
	FLOW METER
	AIR VALVE
	VERTICAL DEFLECTION
	REMOTE MONITORED PRESSURE TRANSDUCER

Ø DENOTES PROPERTY SERVICE CONNECTION TO BE INSTALLED INTO EXISTING MAIN

DENOTES LAY MAIN UNDER SERVICE

DENOTES LAY MAIN OVER SERVICE



ROSE ATKINS RIMMER (Infrastructure) Pty. Ltd.
 WATER RELATED INFRASTRUCTURE DESIGN AND MANAGEMENT
 112, SULLYVAULT ROAD, BLACKSTOWN NSW
 PH: (02) 9683 6000 FAX: (02) 9617 7399

RECYCLED WATER DETAIL PLAN

DATE	15/02/2019
DESIGNER	CONRAD
CHECKER	CONRAD
SCALE	1:500
PROJECT NO.	1500
CLIENT	-

SHEET 5 OF 5

10/20978/CF3C

