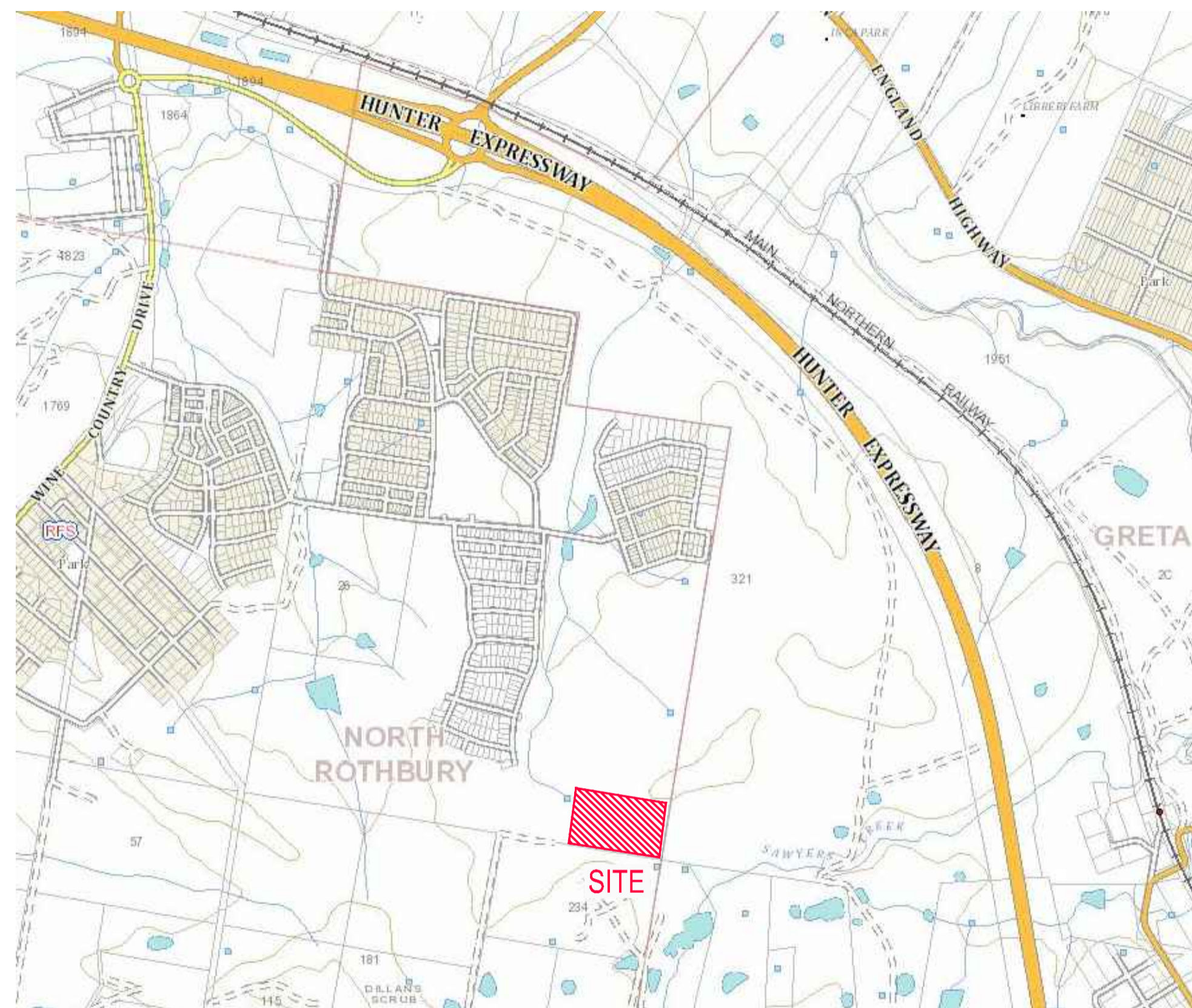
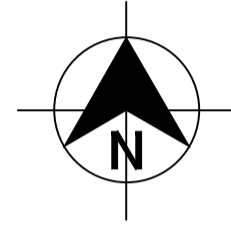


PROPOSED SUBDIVISION STAGE 34 HUNTLEE



LOCALITY SKETCH
NOT TO SCALE

DRAWING INDEX	
DRAWING NUMBER	DRAWING TITLE
24.0037(34)-WAC-001	COVER SHEET, LOCALITY PLAN & DRAWING INDEX
24.0037(34)-WAC-002	GENERAL NOTES
24.0037(34)-WAC-003	OVERALL SITE PLAN
24.0037(34)-WAC-101	POTABLE WATER DETAIL PLAN - SHEET 1
24.0037(34)-WAC-102	POTABLE WATER DETAIL PLAN - SHEET 2
24.0037(34)-WAC-103	POTABLE WATER DETAIL PLAN - SHEET 3
24.0037(34)-WAC-201	RECYCLED WATER DETAIL PLAN - SHEET 1
24.0037(34)-WAC-202	RECYCLED WATER DETAIL PLAN - SHEET 2
24.0037(34)-WAC-203	RECYCLED WATER DETAIL PLAN - SHEET 3
24.0037(34)-WAC-301	PRESSURE SEWER DETAIL PLAN - SHEET 1
24.0037(34)-WAC-302	PRESSURE SEWER DETAIL PLAN - SHEET 2
24.0037(34)-WAC-303	PRESSURE SEWER DETAIL PLAN - SHEET 3
24.0037(34)-WAC-401	TYPICAL PIPEWORK TRENCHING DETAIL
24.0037(34)-WAC-402	TYPICAL PROPERTY CONNECTION DETAILS
24.0037(34)-WAC-403	WASTE WATER COLLECTION TANK LEVEL DETAILS
24.0037(34)-WAC-404	THRUST BLOCK DETAILS
24.0037(34)-WAC-405	FITTINGS DETAILS

100mm AT FULL SIZE
This plan includes coloured information. If you have a black and white copy, you do not have all of the information. This note is coloured RED.

WORK AS CONSTRUCTED

THESE DRAWINGS ARE AN ACCURATE REPRESENTATION AS AT 24/04/2023 OF THE WORK-AS-CONSTRUCTED, BUT THE POSITION OF THE WORK RELATIVE TO OTHER STRUCTURES OR BOUNDARIES IS APPROXIMATE ONLY AND HAS NOT BEEN VERIFIED BY PRECISE SURVEY.

COMPANY	ADW Johnson Pty Ltd	COMPANY	
NAME	DAVID IAN TURNER	NAME	
SIGNED		DATE	27/04/2023
	REGISTERED SURVEYOR	SIGNED	
		DATE	11/07/2022
			CONSTRUCTION MANAGER

APPROVED FOR CONSTRUCTION
BY ADW Johnson Pty Ltd

Date Approved: 11-07-2022

ORIGIN OF W.A.C. LEVELS

PM	20029	Co-Ord System	MGA Ground
E	34.5612.942	MGA Datum	GDA94
N	6382878.917	MGA Zone	56
RL	77.675m		



WORK AS CONSTRUCTED

REV.	DATE	AMENDMENT	DRAWN	CHECK	DESIGN	VERIFY	SCALES
A	16.11.2021	INITIAL ISSUE	G.S.	C.B.	G.S.	C.B.	
B	03.03.2022	CLIENT COMMENTS	G.S.	C.B.	G.S.	C.B.	
C	08.07.2022	ALTOGETHER COMMENTS	G.S.	C.B.	G.S.	C.B.	
0	11.07.2022	ISSUED FOR CONSTRUCTION	G.S.	C.B.	G.S.	C.B.	
1	29.09.2022	ISSUED FOR CONSTRUCTION	G.S.	C.B.	G.S.	C.B.	
2	01.03.2023	ISSUED FOR CONSTRUCTION	G.S.	C.B.	G.S.	C.B.	
3	27.04.2023	WORK AS CONSTRUCTED	G.S.	T.B.	G.S.	D.T.	

adw Johnson

Hunter Office
Unit 7/335 Hillsborough Rd
Warners Bay N.S.W. 2282
Phone: (02) 4978 5100
Fax: (02) 4978 5199
email: hunter@adwjohnson.com.au
www.adwjohnson.com.au
ABN 62 129 445 398

CLIENT

PROPERTY DESCRIPTION

PROPOSED SUBDIVISION
STAGE 34
HUNTLEE

SURVEYED: Daly,Smith Pty Ltd
DATUM: GDA94 M.G.A. ZONE 56 A.H.D.

PROJECT	POTABLE WATER, RECYCLED WATER AND PRESSURE SEWER RETICULATION		
PLAN TITLE	COVER SHEET, LOCALITY PLAN & DRAWING INDEX		
PROJECT No.	240037(34)	DISCIPLINE	WAC
NUMBER	001	REV.	3

PRESSURE SEWER NOTES:

- ALL WORKS SHALL BE CONSTRUCTED IN ACCORDANCE WITH THE DESIGN DRAWINGS, ALTOGETHER SUPPLEMENTARY MANUAL TO WSA, PRESSURE SEWERAGE CODE OF AUSTRALIA - WSA 07-2007 VERSION 1.1 AND POLYETHYLENE PIPELINE CODE WSA 01-2004.
- ALL EQUIPMENT, MATERIALS AND ACCESSORIES USED IN THIS CONTRACT SHALL BE NEW AND SHALL COMPLY WITH ALTOGETHER REQUIREMENTS. BUTT FUSION FITTINGS DENOTED HERewith HAVE BEEN DERIVED FROM THE GEORG FISCHER PIPING SYSTEMS BUTT FUSION PRODUCT RANGE. ELECTROFUSION FITTINGS DENOTED HERewith HAVE BEEN DERIVED FROM THE PLASSON "POLYETHYLENE PIPING SYSTEMS" PRODUCT RANGE.
- ALL SERVICES SHOWN ARE INDICATIVE ONLY. A CURRENT SERVICES SEARCH AND SITE CHECK OF ALL EXISTING SERVICES WILL BE REQUIRED PRIOR TO COMMENCEMENT OF ANY WORKS. THE CONSTRUCTOR IS TO DETERMINE LEVELS AND LOCATIONS OF ALL EXISTING SERVICES IN THE VICINITY OF THE CONSTRUCTION SITE AND ANY CONSTRUCTED STRUCTURES FOR PROPOSED SERVICES, SUCH AS DUCTING FOR WATER OR ELECTRICITY WITHIN THE SUBDIVISION. THE CONTRACTOR MUST ENSURE ALL SERVICES ARE LOCATED BY THE RELEVANT AUTHORITY PRIOR TO COMMENCEMENT OF WORKS.
- PRESSURE SEWER MAINS SHALL BE BLACK POLYETHYLENE (PE100 PN16) WITH A CREAM STRIPE AS PER WSA 02-2007 AND ALTOGETHER SUPPLEMENTARY MANUAL TO WSA.
- ALL POLYETHYLENE MAINS ≤ DN200 SHALL BE JOINED USING ELECTROFUSION JOINTING TECHNIQUES IN ACCORDANCE WITH MANUFACTURERS REQUIREMENTS. ALL POLYETHYLENE MAINS ≥ DN200 SHALL BE JOINED USING BUTTWELD JOINTING TECHNIQUES IN ACCORDANCE WITH MANUFACTURERS REQUIREMENTS.
- MAIN TO BE LAID GENERALLY AS INDICATED IN SERVICE ALLOCATION DIAGRAMS. INSTRUCTION NOTES SHALL TAKE PRECEDENCE OVER DIAGRAMS WHERE PROVIDED. 600mm HORIZONTAL CLEARANCE TO BE MAINTAINED BETWEEN ALL SEWER AND WATER MAINS. MINIMUM PIPE COVER SHALL BE 800mm IN FOOTWAYS AND 1000mm IN ROADWAYS. MAXIMUM PIPE COVER SHALL GENERALLY BE 1500mm, WHERE COVER FOR A TRENCHED INSTALLATION EXCEEDS 1500mm BUT LESS THAN 2500mm THE MAIN AS A MINIMUM SHALL BE EMBEDDED IN STABILISED SAND. THE CONTRACTOR SHALL ENSURE THAT ALL PRESSURE SEWER AND RECYCLED WATER MAINS HAVE SUFFICIENT VERTICAL SEPARATION AS PER THE CLEARANCE TABLE ADJACENT.
- MAINS CROSSING UNDER EXISTING DRIVEWAYS (SEALED, PAVED OR DECORATIVE) SHALL BE CONDUCTED BY UNDER BORING ONLY UNLESS PERMISSION IS GRANTED BY THE AFFECTED PROPERTY OWNER.
- MAINS WITHIN 2.0m OF ELECTRICITY OR POWER POLES SHALL BE CONDUCTED BY BORING TECHNOLOGY (UNLESS AGREED TO BY THE ALTOGETHER REPRESENTATIVE).
- ALL PIPE BEDDING MATERIAL SHALL COMPLY WITH WSA PRODUCT SPECIFICATION WSA-PS350 AND WSA-PS351.
- ALL BENDS SHALL BE ELECTROFUSION OR BUTT WELD SWEEP BENDS. FABRICATED BENDS SHALL NOT BE USED IN LIEU. KNUCKLE ELBOWS ARE NOT PERMITTED.
- MINIMUM BENDING RADIUS FOR PN16 PE100 (SDR11) SHALL BE 20 x DN. (i.e. DN400 : R8.0m, DN250 : R5.0m, DN200 : R4.0m, DN160 : R3.2m, DN125 : R2.5m, DN90 : R1.8m, DN75 : R1.5m, DN63 : R1.3m, DN50 : R1.0m, DN40 : R0.8m).
- ALL HOUSE SERVICE LATERALS SHALL BE DN40 (PE100 PN16).
- FLUSHING PITS SHALL CONFORM WITH ALTOGETHER STANDARD DRAWINGS. REFER TO ALTOGETHER WEBSITE FOR CURRENT VERSION. SMALL MAINS (≤ DN110) http://information.altogethergroup.com.au/governance/Land_Housing/PSS-1017A-FS.pdf LARGE MAINS (> DN110) http://information.altogethergroup.com.au/governance/Land_Housing/PSS-1017B-FS.pdf
- LOCALISED DEEPENING OF MAINS MAY BE REQUIRED TO FACILITATE AIR VALVE INSTALLATION. THE CONTRACTOR SHALL ENSURE THAT THE AIR VALVE OFFTAKE IS LOCATED AT A HIGH POINT (NATURAL OR ARTIFICIAL) IN THE MAIN (i.e. MAIN SHALL GRADE DOWNWARDS EITHER SIDE OF THE AIR VALVE).
- DETECTABLE MARKING TAPE SHALL BE LAID ON TOP OF THE PIPE EMBEDMENT MATERIAL BEFORE BACKFILLING AND CONNECTED TO SURFACE FITTINGS.
- ALL SURFACE FITTINGS LOCATED IN TRAFFICABLE AREAS (i.e. ROADWAYS, PATHS etc.) SHALL HAVE HEAVY DUTY SURROUNDS INSTALLED.
- DURING CONSTRUCTION, ALL OPEN ENDS OF PIPE SHALL BE CAPPED OFF TO PREVENT ENTRY OF FOREIGN MATTER.
- ALL VALVES SHALL BE RESILIENT SEATED SLUICE VALVES (ANTI-CLOCKWISE CLOSING), SHALL BE RESTRAINED IN ACCORDANCE WITH WAT-1207 AND SHALL COMPLY WITH ALTOGETHER STANDARD DRAWING PSS-1015-FS.
- ALL MAINS SHALL BE TESTED IN ACCORDANCE WITH WSA 07-2007 VERSION 1.1.
- FOR LOTS WITH TANKS IN THE REAR. 1 x ø25mm INSTRUMENTATION CONDUIT (ORANGE) AND 1 x ø25mm ELECTRICAL CONDUIT (ORANGE) (WITH DRAW WIRES) SHALL BE INSTALLED FROM THE COLLECTION TANK TO WATER METERS. THE CONDUITS SHALL BE LAID IN A COMMON TRENCH WITH THE SEWERAGE AND MAINTAIN A MINIMUM HORIZONTAL CLEARANCE OF 400mm. (REFER TO ALTOGETHER STANDARD DRAWINGS FOR SETOUT DIMENSIONS).
- THE CONSTRUCTOR SHALL PROVIDE HUNTLEE WATER WITH MINIMUM OF 7 DAYS NOTICE IN WRITING OF INTENT TO CONNECT NEW MAINS TO EXISTING INFRASTRUCTURE. CONNECTIONS ARE NOT PERMITTED UNTIL COMPLIANT TEST RESULTS HAVE BEEN PROVIDED AND CONFIRMATION IS PROVIDED BY THE ALTOGETHER REPRESENTATIVE.
- UPON COMPLETION OF WORKS, ALL SURFACES MUST BE RESTORED AS CLOSE AS POSSIBLE, TO THE CONDITION HAT EXISTED PRIOR TO COMMENCEMENT OF WORKS.
- PERMISSION OF ENTRY MUST BE OBTAINED BY THE CONTRACTOR FROM THE OWNER/OCCUPIER PRIOR TO COMMENCEMENT OF WORK IN PRIVATE PROPERTY.
- BURIED FITTINGS ARE NOT TO BE BACKFILLED UNTIL W.A.C. DETAILS HAVE BEEN OBTAINED AND APPROVAL FOR BACKFILLING GIVEN BY THE ALTOGETHER REPRESENTATIVE. THE CONTRACTOR SHALL PROVIDE M.G.A. COORDINATED WORK-AS-CONSTRUCTED INFORMATION REGARDING THE INSTALLATION OF ALL BURIED FITTINGS.
- THE MINIMUM NUMBER OF COMPACTION TESTS REQUIRED TO SATISFY THE PRESSURE SEWER CODE OF AUSTRALIA (CLAUSE 21.3.4) ARE:
TRAFFICABLE
PIPE EMBEDMENT ZONE: NIL TRENCH FILL ZONE: 1 TEST/300mm LAYER OF FILL AT EACH ROAD CROSSING.
NON-TRAFFICABLE
PIPE EMBEDMENT ZONE: NIL TRENCH FILL ZONE: 1 TEST/900mm OF FILL AND EACH 100 LINEAL METRES OF PIPE.
- BOUNDARY KITS (COMPLETE) SHALL BE NOW SUPPLIED (NOV PSS-BK4).
ø one COLLECTION TANK (ESD 20-0032/ESD 20-0033) SHALL BE INSTALLED WITH BOUNDARY KIT (REFER ALTOGETHER STANDARD DRAWINGS PSS-1112-FS AND PSS-1113-FS). PUMP TO BE INSTALLED BY OTHERS.
- ALL MAINS (UP TO THE BOUNDARY KIT) SHALL BE PRESSURE TESTED TO 1600 kPa.
ALL LINES FROM THE WASTEWATER COLLECTION TANK TO THE MANUAL ISOLATION VALVE WITHIN THE BOUNDARY KIT TO BE PRESSURE TESTED TO 1000kPa.
- ALL MAINS SHALL BE FLUSHED WITH WATER TO REMOVE ANY DEBRIS PRIOR TO COMMISSIONING.
- SURFACE IDENTIFICATION MARKERS ARE TO BE PROVIDED TO ALTOGETHER REQUIREMENTS.
- ROPE OFF ALL PRESSURE SEWER UNITS AND FLUSHING POINTS TO LIMIT DAMAGE DURING CONSTRUCTION.
- PRESSURE TRANSMITTER TO BE MEASUREX MRB21 GENERAL PURPOSE TRANSMITTER WITH MICROSPIDER LOGGING TELEMETRY AND ALARM PER ALTOGETHER REQUIREMENTS.
- WORK-AS-CONSTRUCTED DOCUMENTATION SHALL BE PROVIDED BY THE CONTRACTOR STRICTLY IN ACCORDANCE WITH THE ALTOGETHER Q.A. SUBMISSION CHECKLIST.
- ELECTRICAL GLAND CONNECTION SUPPLIED LOOSE WITH EACH SEWER POT IS TO BE INSTALLED BY THE CIVIL CONTRACTOR AND ELECTRICAL CONDUIT ATTACHED TO THE TANK FOR FUTURE ELECTRICAL WIRING.

POTABLE WATER AND RECYCLED WATER NOTES:

- ALL WORKS SHALL BE CONSTRUCTED IN ACCORDANCE WITH THE DESIGN DRAWINGS, ALTOGETHER SUPPLEMENTARY MANUAL TO WSA, WSA 03-2011-3.1 (SYDNEY WATER EDITION 2014).
- POTABLE WATER SHALL BE UTILISED FOR FIRE FIGHTING PURPOSES.
- ALL EQUIPMENT, MATERIALS AND ACCESSORIES USED IN THIS CONTRACT SHALL BE NEW, SHALL CONFORM TO THE APPROPRIATE CURRENT AUSTRALIAN STANDARDS AND SHALL COMPLY WITH ALTOGETHER REQUIREMENTS.
- ALL SERVICES SHOWN ARE INDICATIVE ONLY. A CURRENT SERVICES SEARCH AND SITE CHECK OF ALL EXISTING SERVICES WILL BE REQUIRED PRIOR TO COMMENCEMENT OF ANY WORKS. THE CONSTRUCTOR IS TO DETERMINE LEVELS AND LOCATIONS OF ALL EXISTING SERVICES IN THE VICINITY OF THE CONSTRUCTION SITE AND ANY CONSTRUCTED STRUCTURES FOR PROPOSED SERVICES, SUCH AS DUCTING FOR WATER OR ELECTRICITY WITHIN THE SUBDIVISION. THE CONTRACTOR MUST ENSURE ALL SERVICES ARE LOCATED BY THE RELEVANT AUTHORITY PRIOR TO COMMENCEMENT OF WORKS.
- THE CONSTRUCTOR SHALL VERIFY WITH THE SITE SUPERVISOR THE POSITION AND LEVEL OF ALL EXISTING AND PROPOSED BOUNDARIES PERTINENT TO THE INFRASTRUCTURE INSTALLATIONS.
- MAIN TO BE LAID GENERALLY AS INDICATED IN SERVICE ALLOCATION DIAGRAMS. INSTRUCTION NOTES SHALL TAKE PRECEDENCE OVER DIAGRAMS WHERE PROVIDED. 600mm HORIZONTAL CLEARANCE TO BE MAINTAINED BETWEEN ALL SEWER AND WATER MAINS. MINIMUM PIPE COVER SHALL BE 600mm IN FOOTWAYS (TYPE B EMBEDMENT: WAT-1202-V) AND 800mm IN ROADWAYS (TYPE L EMBEDMENT: WAT-1204-V). MAXIMUM PIPE COVER SHALL GENERALLY BE 1500mm, WHERE COVER FOR A TRENCHED INSTALLATION EXCEEDS 1500mm BUT LESS THAN 2500mm THE MAIN AS A MINIMUM SHALL BE EMBEDDED IN STABILISED SAND. THE CONTRACTOR SHALL ENSURE THAT ALL RECYCLED WATER MAINS AND PRESSURE SEWER MAINS HAVE SUFFICIENT VERTICAL SEPARATION AS PER THE CLEARANCE TABLE ADJACENT.
- ALL POTABLE WATER MAINS TO BE BLUE PVC-M (PN16). ALL RECYCLED WATER MAINS SHALL BE LILAC PVC-M (PN16). DIFFERENTIATION OF POTABLE AND RECYCLED WATER SYSTEMS SHALL BE AS PER TABLE 4.1 WSA03-2011 WITH BOTH SERVICES BEING CLASSIFIED AS WATER MAINS. RECYCLED WATER MAINS SHALL ALWAYS BE LOWER THAN POTABLE WATER MAINS. 150mm VERTICAL CLEARANCE BETWEEN POTABLE WATER AND RECYCLED WATER MAINS SHALL BE PROVIDED.
- MAXIMUM JOINT DEFLECTIONS TO BE IN ACCORDANCE WITH MANUFACTURERS RECOMMENDATIONS.
- LOCALLY LOWER PIPEWORK IN VICINITY OF STOP VALVES TO ENSURE SUFFICIENT COVER IS MAINTAINED OVER VALVES. LOWERING OF PIPEWORK SHALL BE ACHIEVED OVER A NUMBER OF PIPE LENGTHS EITHER SIDE OF VALVES TO ELIMINATE ANY SHARP DEFLECTIONS.
- ALL PIPE BEDDING MATERIAL SHALL COMPLY WITH WSA PRODUCT SPECIFICATION PS-350, 368 AND 369. GEOTECHNICAL CONDITIONS SHOULD BE ASSESSED DURING CONSTRUCTION BY THE CONTRACTOR IN ASSOCIATION WITH THE ALTOGETHER REPRESENTATIVE TO DETERMINE THE NEED TO MODIFY EMBEDMENT/TRENCHFILL TYPE AND THE NEED FOR TRENCH DRAINAGE/BULKHEADS.
- DURING CONSTRUCTION, ALL OPEN ENDS OF PIPES SHALL BE CAPPED OFF TO PREVENT ENTRY OF FOREIGN MATTER.
- HYDRANTS, STOP VALVES AND ALL OTHER FITTINGS TO BE THE SAME SIZE AS THE THROUGH WATER MAIN AND ANTI CLOCKWISE CLOSING.
- HYDRANTS MUST NOT BE INSTALLED IN POTENTIAL DRIVEWAY LOCATIONS. HYDRANTS AND WATER SERVICES SHALL BE NOMINALLY AT LEAST 5.0m FROM EACH BOUNDARY OR ON BOUNDARIES. WHERE POSSIBLE, FITTINGS SHALL BE LOCATED BEHIND KERB INLET PITS.
- THRUST BLOCKS SHALL BE INSTALLED IN ACCORDANCE WITH WAT-1205.
- ALL PROPERTY (MAIN TO METER) SERVICE CONNECTIONS SHALL BE CONSTRUCTED STRICTLY IN ACCORDANCE WITH ALTOGETHER REQUIREMENTS. REFER TO ALTOGETHER WEBSITE FOR CURRENT VERSION. SINGLE SERVICE: http://information.altogethergroup.com.au/governance/Land_Housing/WAT-1854-FS.pdf DUAL SERVICE: http://information.altogethergroup.com.au/governance/Land_Housing/WAT-1855-FS.pdf
- PROPERTY SERVICE CONNECTION IS SHALL BE FLUSHED AND LOCKED (BY THE ALTOGETHER REPRESENTATIVE) FOLLOWING SUCCESSFUL PRESSURE TESTING.
- SURFACE FITTINGS LOCATED IN TRAFFICABLE AREAS (i.e. ROADWAYS, PATHS etc.) SHALL HAVE HEAVY DUTY SURROUNDS INSTALLED.
- ALL MAINS SHALL BE PRESSURE TESTED TO 1500kPa IN ACCORDANCE WITH CLAUSE 19.4 OF WSA03-2011 (SYDNEY WATER EDITION 2014).
- ALL MAINS SHALL BE FLUSHED WITH WATER TO REMOVE ANY DEBRIS PRIOR TO COMMISSIONING.
- WATER QUALITY TESTING SHALL BE IN ACCORDANCE WITH WSA 03-2011-3.1 (SYDNEY WATER EDITION-2014. CLAUSE 19.7).
- THE CONSTRUCTOR SHALL PROVIDE HUNTLEE WATER WITH MINIMUM OF 7 DAYS NOTICE IN WRITING OF INTENT TO CONNECT NEW MAINS TO EXISTING INFRASTRUCTURE. CONNECTIONS ARE NOT PERMITTED UNTIL COMPLIANT TEST RESULTS HAVE BEEN PROVIDED AND CONFIRMATION IS PROVIDED BY THE ALTOGETHER REPRESENTATIVE.
- UPON COMPLETION OF WORKS, ALL SURFACES MUST BE RESTORED AS CLOSE AS POSSIBLE, TO THE CONDITION HAT EXISTED PRIOR TO COMMENCEMENT OF WORKS.
- PERMISSION OF ENTRY MUST BE OBTAINED BY THE CONTRACTOR FROM THE OWNER/OCCUPIER PRIOR TO COMMENCEMENT OF WORK IN PRIVATE PROPERTY.
- BURIED FITTINGS ARE NOT TO BE BACKFILLED UNTIL W.A.C. DETAILS HAVE BEEN OBTAINED AND APPROVAL FOR BACKFILLING GIVEN BY THE ALTOGETHER REPRESENTATIVE. THE CONTRACTOR SHALL PROVIDE M.G.A. COORDINATED WORK-AS-CONSTRUCTED INFORMATION REGARDING THE INSTALLATION OF ALL BURIED FITTINGS.
- MINIMUM NUMBER OF COMPACTION TESTS REQUIRED TO SATISFY WSA03-2011 (SYDNEY WATER EDITION 2014) (CLAUSE 19.3.5) :
TRAFFICABLE
PIPE EMBEDMENT ZONE: NIL TRENCH FILL ZONE: 1 TEST/300mm LAYER OF FILL AT EACH ROAD CROSSING.
NON-TRAFFICABLE
PIPE EMBEDMENT ZONE: NIL TRENCH FILL ZONE: 1 TEST/900MM OF FILL AND EACH 100 LINEAL METERS OF PIPE.
PROPERTY SERVICES
TEST 1 OF EVERY 5 PROPERTY SERVICE TRENCHES.
TESTING SHALL BE IN ACCORDANCE WITH TABLE 16.1 AND 17.1 OF THE WATER SUPPLY CODE OF AUSTRALIA.
- SURFACE IDENTIFICATION MARKERS ARE TO BE PROVIDED TO ALTOGETHER REQUIREMENTS.
- PRESSURE TRANSMITTER TO BE MEASUREX MRB21 GENERAL PURPOSE TRANSMITTER WITH MICROSPIDER LOGGING TELEMETRY AND ALARM PER ALTOGETHER REQUIREMENTS.
- WORK-AS-CONSTRUCTED DOCUMENTATION SHALL BE PROVIDED BY THE CONTRACTOR STRICTLY IN ACCORDANCE WITH THE ALTOGETHER Q.A. SUBMISSION CHECKLIST.
- WHERE THE PIPE GRADE EXCEEDS 5% , TRENCHSTOPS SHALL BE CONSTRUCTED IN ACCORDANCE WITH WAT-1209 AND WAT-1210 AT THE SPACING OF 100 GRADES. WHERE PIPE GRADES EXCEED 15%, CONCRETE BULKHEADS WILL BE CONSTRUCTED AT SPACING AS PER TABLE 7.5 OF WSA03-2001 SYDNEY WATER EDITION 2014.

ALTOGETHER STANDARD DRAWINGS CAN BE FOUND AT THE FOLLOWING ADDRESS:
<https://askus.altogethergroup.com.au/hc/en-us/articles/90000482763-Standard-drawings-for-land-developers>

GENERAL NOTES:

- THIS DRAWING SET SHALL BE READ IN CONJUNCTION WITH CESSNOCK CITY COUNCIL STANDARDS, ALTOGETHER SUPPLEMENTARY MANUAL TO WSA AND OTHER ASSOCIATED DRAWINGS AND TECHNICAL SPECIFICATIONS.
- THE CONTRACTOR SHALL LOCATE AND IDENTIFY ALL UNDERGROUND SERVICES PRIOR TO COMMENCEMENT OF WORK AND SHALL REPAIR ANY DAMAGE CAUSED TO SUCH SERVICES DURING THE COURSE OF WORKS. ANY SERVICE LOCATIONS SHOWN IN THIS DRAWING SET ARE INDICATIVE ONLY.
- MAKE SMOOTH TRANSITION TO EXISTING WORKS (i.e. ROAD PAVEMENT AND FOOTPATHS) TO P.C.A. AND SUPERINTENDENT'S REQUIREMENTS.
- SUITABLE PROTECTION TO EXISTING ROAD PAVEMENT, KERB AND GUTTER, FOOTPATHS AND ANY EXISTING FEATURES SHALL BE PROVIDED UNTIL THE CONSTRUCTION WORKS ARE COMPLETED.

CLEARANCES BETWEEN PIPELINES AND UNDERGROUND SERVICES

UTILITY (EXISTING OR PROPOSED SERVICE)	MINIMUM HORIZONTAL CLEARANCE (mm)		MINIMUM VERTICAL CLEARANCE (mm)
	NEW MAIN SIZE		
	≤ DN200	≥ DN200	
WATER MAINS - DN375	600	600	300
WATER MAINS - DN375	300*	600	150
GAS MAINS	300*	600	150
TELECOMMUNICATION CONDUITS AND CABLES	300*	600	150
ELECTRICITY CONDUITS AND CONDUITS	200	1000	225*
STORMWATER DRAINS	300*	600	150*
SEWERS (GRAVITY)	1000* / 600	1000* / 600	500*
SEWERS (PRESSURE AND VACUUM)	600	600	300*
KERBS	150	600*	150 (WHERE POSSIBLE)

NOTES:

- VERTICAL CLEARANCES APPLY WHERE PIPELINES CROSS OTHER UTILITY SERVICES, EXCEPT IN THE CASE OF WATER/SEWER MAINS WHEN A VERTICAL SEPARATION SHALL ALWAYS BE MAINTAINED, EVEN WHEN THE PRESSURE SEWER AND WATER MAIN ARE PARALLEL. THE PRESSURE SEWER SHOULD ALWAYS BE LOCATED BELOW THE WATER MAIN TO MINIMISE THE POSSIBILITY OF BACKFLOW CONTAMINATION IN THE EVENT OF A PRESSURE MAIN BREAK.
- WATER MAINS INCLUDES MAINS SUPPLYING BOTH POTABLE AND RECYCLED WATER.
- FOR AREAS WITH EXISTING WATER RETICULATION, CLEARANCES CAN BE FURTHER REDUCED TO 600mm WITH THE APPROVAL OF THE WATER AUTHORITY.
- CLEARANCES CAN BE FURTHER REDUCED TO 150mm FOR DISTANCES UP TO 2.0m WHEN PASSING INSTALLATIONS SUCH AS POLES, PITS, AND SMALL STRUCTURES, PROVIDING THE STRUCTURE IS NOT DE-STABILISED IN THE PROCESS.
- CLEARANCES FROM KERBS SHALL BE MEASURED FROM THE NEAREST POINT OF THE KERB. FOR WATER/SEWER - DN 375, CLEARANCES FROM KERBS CAN BE PROGRESSIVELY REDUCED UNTIL THE MINIMUM OF 150mm IS REACHED FOR WATER/SEWER - DN200.
- WHERE A PARALLEL SEWER IS AT MINIMUM VERTICAL CLEARANCE LOWER THAN THE WATER MAIN (150mm), MAINTAIN A MINIMUM HORIZONTAL OF 1000mm. THIS MINIMUM CLEARANCE CAN BE PROGRESSIVELY REDUCED TO 600mm AS THE VERTICAL CLEARANCE IS INCREASED TO 150mm.
- FOR PRESSURE SEWER LATERALS, MINIMUM VERTICAL CLEARANCES MAY BE REDUCED TO 150mm PROVIDING THERE IS NO JOINT IN THE LATERAL WITHIN 500mm OF EITHER SIDE OF THE SERVICE BEING CROSSED.
- AN ADDITIONAL CLEARANCE FROM HIGH VOLTAGE ELECTRICAL INSTALLATIONS SHOULD BE MAINTAINED ABOVE THE CONDUITS OR CABLES TO ALLOW FOR A PROTECTIVE BARRIER AND MARKING TO BE PROVIDED.
- WATER MAINS SHOULD ALWAYS CROSS OVER SEWERS AND STORMWATER DRAINS. FOR CASES WHERE THERE IS NO ALTERNATIVE AND THE MAIN MUST CROSS UNDER THE SEWER, THE DESIGN SHALL NOMINATE AN APPROPRIATE PROTECTION TREATMENT (JOINT-FREE IN THE VICINITY OF THE SEWER).

SHOULD THE RECOMMENDED CLEARANCES NOT BE ACHIEVED, NOTIFICATION SHALL BE CONVEYED TO THE ALTOGETHER REPRESENTATIVE IN WRITING.

WORK AS CONSTRUCTED

THESE DRAWINGS ARE AN ACCURATE REPRESENTATION AS AT 24/04/2023 OF THE WORK-AS-CONSTRUCTED, BUT THE POSITION OF THE WORK RELATIVE TO OTHER STRUCTURES OR BOUNDARIES IS APPROXIMATE ONLY AND HAS NOT BEEN VERIFIED BY PRECISE SURVEY.

COMPANY ADW Johnson Pty Ltd COMPANY
NAME DAVID IAN TURNER NAME
SIGNED [Signature] DATE 27/04/2023 SIGNED [Signature] DATE [Signature]
REGISTERED SURVEYOR CONSTRUCTION MANAGER

APPROVED FOR CONSTRUCTION
By ADW Johnson Pty Ltd

Date Approved: 11-07-2022



WORK AS CONSTRUCTED

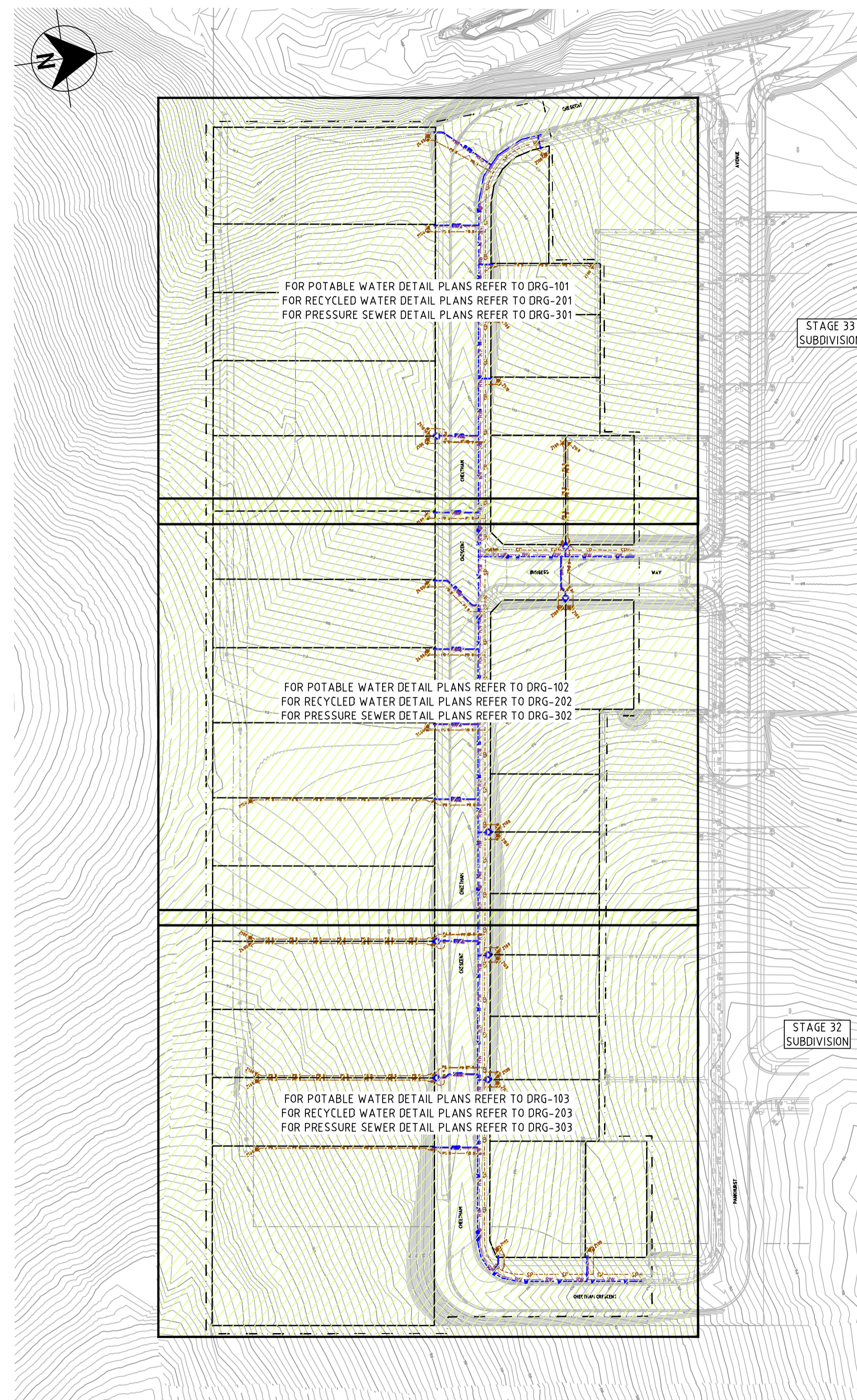
ORIGIN OF W.A.C. LEVELS

PM 20029
E: 34.5612 94.2 Co-Ord System: MGA Ground
N: 6382878 917 MGA Datum: GDA94
RL: 77.675m MGA Zone: 56

240037(34)-WAC-001

100mm AT FULL SIZE
This plan includes coloured information. If you have a black and white copy you do not have all of the information. This note is coloured red.

REV.	DATE	AMENDMENT	DRAWN	CHECK	DESIGN	VERIFY	SCALES	CLIENT	PROPERTY DESCRIPTION	PROJECT	PLAN TITLE	PROJECT No.	DISCIPLINE	NUMBER	REV.
A	16.11.2021	INITIAL ISSUE	G.S.	C.B.	G.S.	C.B.		Hunter Office	PROPOSED SUBDIVISION	POTABLE WATER, RECYCLED WATER AND		240037(34)	WAC	002	3
B	03.03.2022	CLIENT COMMENTS	G.S.	C.B.	G.S.	C.B.		Unit 7/335 Hillsborough Rd Warners Bay N.S.W. 2282 Phone: (02) 4978 5100	STAGE 34	PRESSURE SEWER RETICULATION					
C	08.07.2022	ALTOGETHER COMMENTS	G.S.	C.B.	G.S.	C.B.		Fax: (02) 4978 5199	HUNTLEE						
O	11.07.2022	ISSUED FOR CONSTRUCTION	G.S.	C.B.	G.S.	C.B.		email: hunter@adwjohnson.com.au							
1	29.09.2022	ISSUED FOR CONSTRUCTION	G.S.	C.B.	G.S.	C.B.		www.adwjohnson.com.au							
2	01.03.2023	ISSUED FOR CONSTRUCTION	G.S.	C.B.	G.S.	C.B.		ABN 62 129 445 398							
3	27.04.2023	WORK AS CONSTRUCTED	G.S.	T.B.	G.S.	D.T.									



WORK AS CONSTRUCTED

THESE DRAWINGS ARE AN ACCURATE REPRESENTATION AS AT 26/04/2023 OF THE WORK-AS-CONSTRUCTED, BUT THE POSITION OF THE WORK RELATIVE TO OTHER STRUCTURES OR BOUNDARIES IS APPROXIMATE ONLY AND HAS NOT BEEN VERIFIED BY PRECISE SURVEY.

COMPANY	ADW Johnson Pty Ltd	COMPANY	
NAME	DAVID IAN TURNER	NAME	
SIGNED		DATE	27/04/2023
	REGISTERED SURVEYOR	SIGNED	
		DATE/...../.....
			CONSTRUCTION MANAGER

ORIGIN OF W.A.C. LEVELS

PM	20029	Co-Ord System	MGA Ground
E:	345612.942	MGA Datum:	GDA94
N:	6382878.917	MGA Zone:	56
RL:	77.675m		

APPROVED FOR CONSTRUCTION
BY ADW Johnson Pty Ltd
Date Approved: 11-07-2022



WORK AS CONSTRUCTED

REV.	DATE	AMENDMENT	DRAWN	CHECK	DESIGN	VERIFY	SCALES
A	16.11.2021	INITIAL ISSUE	G.S.	C.B.	G.S.	C.B.	
B	03.03.2022	CLIENT COMMENTS	G.S.	C.B.	G.S.	C.B.	
C	08.07.2022	ALTOGETHER COMMENTS	G.S.	C.B.	G.S.	C.B.	
0	11.07.2022	ISSUED FOR CONSTRUCTION	G.S.	C.B.	G.S.	C.B.	
1	29.09.2022	ISSUED FOR CONSTRUCTION	G.S.	C.B.	G.S.	C.B.	
2	01.03.2023	ISSUED FOR CONSTRUCTION	G.S.	C.B.	G.S.	C.B.	
3	27.04.2023	WORK AS CONSTRUCTED	G.S.	T.B.	G.S.	D.T.	

adw Johnson

Hunter Office
Unit 7/335 Hillsborough Rd
Warners Bay N.S.W. 2282
Phone: (02) 4978 5100
Fax: (02) 4978 5199
email: hunter@adwjohnson.com.au
www.adwjohnson.com.au
ABN 62 129 445 398

CLIENT

altogether.

PROPERTY DESCRIPTION

PROPOSED SUBDIVISION
STAGE 34
HUNTLEE

SURVEYED
Daly-Smith Pty Ltd

DATUM
GDA94 M.G.A. ZONE 56 A.H.D.

PROJECT	POTABLE WATER, RECYCLED WATER AND PRESSURE SEWER RETICULATION		
PLAN TITLE	OVERALL SITE PLAN		
PROJECT No.	DISCIPLINE	NUMBER	REV.
240037(34)	WAC	003	3



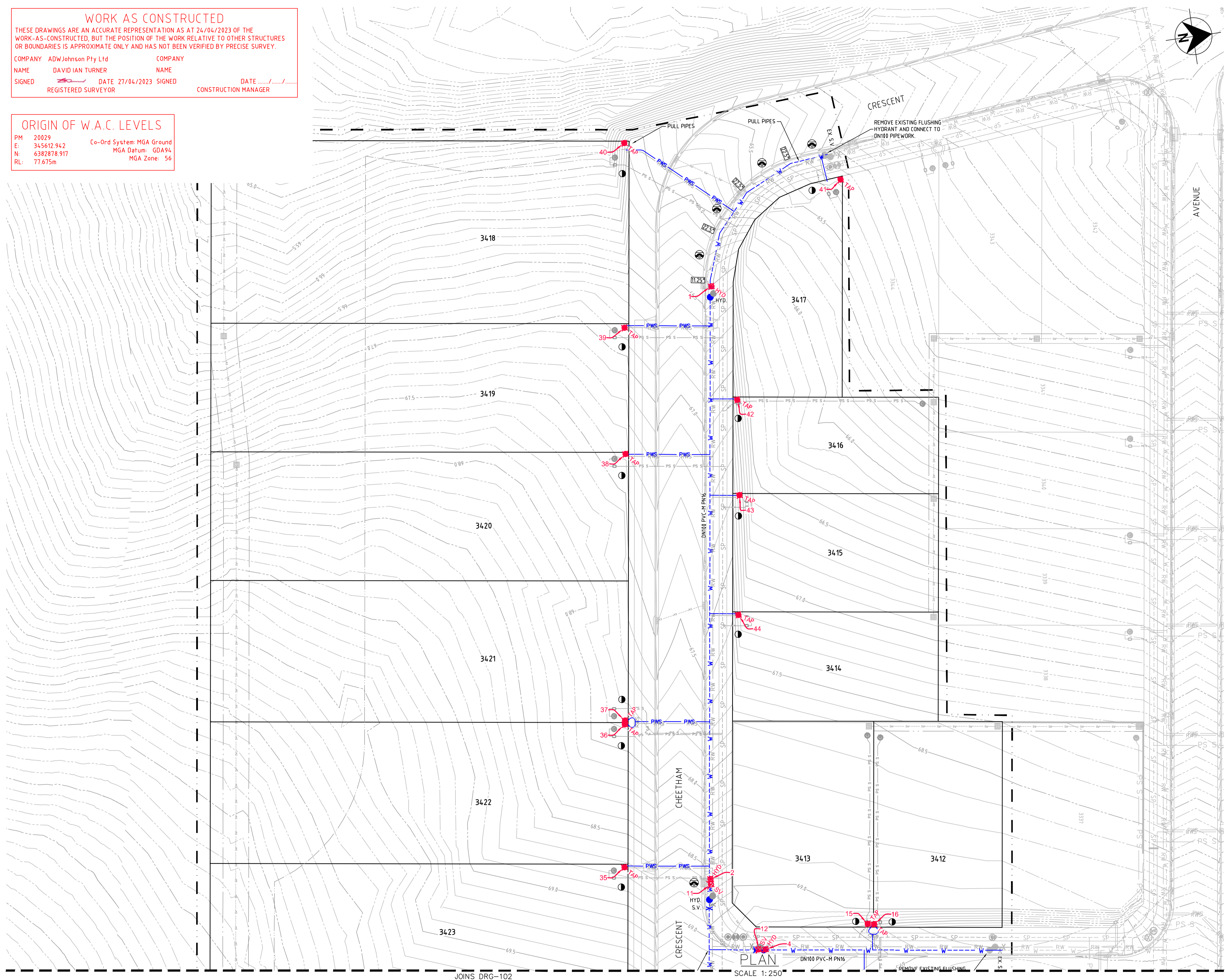
WORK AS CONSTRUCTED
 THESE DRAWINGS ARE AN ACCURATE REPRESENTATION AS AT 24/04/2023 OF THE WORK-AS-CONSTRUCTED, BUT THE POSITION OF THE WORK RELATIVE TO OTHER STRUCTURES OR BOUNDARIES IS APPROXIMATE ONLY AND HAS NOT BEEN VERIFIED BY PRECISE SURVEY.

COMPANY ADW Johnson Pty Ltd COMPANY
 NAME DAVID IAN TURNER NAME
 SIGNED REGISTERED SURVEYOR DATE 27/04/2023 SIGNED CONSTRUCTION MANAGER

ORIGIN OF W.A.C. LEVELS
 PM 20029 Co-Ord System: MGA Ground
 E: 345612.942 MGA Datum: GDA94
 N: 6382878.917 MGA Zone: 56
 RL: 77.675m

240037(34)-WAC-103

100mm AT FULL SIZE
 This plan includes coloured information. If you have a black and white copy you do not have all of the information. This note is coloured RED.



- LEGEND**
- W --- W PVC-M POTABLE WATER RETICULATION
 - PWS --- PWS POTABLE WATER PROPERTY SERVICE
 - RW --- RW --- RW PVC-M RECYCLED WATER RETICULATION
 - RWS --- RWS --- RWS RECYCLED WATER PROPERTY SERVICE
 - SP --- SP --- SP PE PRESSURE SEWER RETICULATION
 - PS --- PS --- PS PE PRESSURE SEWER PROPERTY SERVICE
 - EX PW --- EX PW --- EX EXISTING POTABLE WATER RETICULATION
 - EX RW --- EX RW --- EX EXISTING RECYCLED WATER RETICULATION
 - EX PS --- EX PS --- EX EXISTING PRESSURE SEWER RETICULATION
 - SW --- SW --- SW STORMWATER PIPEWORK
 - SV STOP VALVE
 - HYD HYDRANT
 - FL HYD FLUSHING HYDRANT
 - PROPERTY SERVICE CONNECTION
 - LAY WATER MAIN OVER STORMWATER PIPE (300mm MIN. VERTICAL CLEARANCE) - REFER TO WAT-1255-H
 - HORIZONTAL BEND ANGLES IN MAIN
 - 11.25° 12.5° PROPOSED ASSET PROTECTION ZONE (APZ) BOUNDARY
 - SUBDIVISION STAGE BOUNDARY

- POTABLE WATER PROPERTY SERVICE CONNECTIONS**
 TOTAL 32 CONNECTIONS
- SINGLE SERVICES IN ACCORDANCE WITH WAT-1106-V
 - 7 x SHORT SIDE
 - 9 x LONG SIDE
 - SPLIT SERVICES IN ACCORDANCE WITH WAT-1107-V
 - 4 x SHORT SIDE
 - 4 x LONG SIDE

POTABLE WATER PIPE DATA		
PIPE SIZE (mm)	PIPE MATERIAL	TOTAL LENGTH (m)
DN100	PVC-M PN16	434
DN20 (LATERAL)	PE100 PN16	254

- NOTES:**
1. LOCALLY PULL PIPES TO AVOID ANY POTENTIAL CLASH WITH STORMWATER PIT
 2. FOR RECYCLED WATER PIPEWORK DETAIL PLANS REFER TO DRGS-201 TO 203.
 3. FOR PRESSURE SEWER PIPEWORK DETAIL PLANS REFER TO DRGS-301 TO 303.
 4. FOR TYPICAL SERVICE CONNECTION DETAILS REFER TO DRG-402.

APPROVED FOR CONSTRUCTION
 BY ADW Johnson Pty Ltd
 Date Approved: 11-07-2022

WORK AS CONSTRUCTED

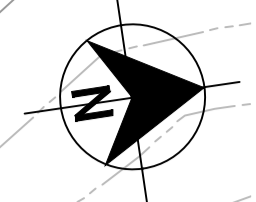
<table border="1" style="width: 100%; border-collapse: collapse;"> <thead> <tr> <th>REV.</th> <th>DATE</th> <th>AMENDMENT</th> </tr> </thead> <tbody> <tr><td>A</td><td>16.11.2021</td><td>INITIAL ISSUE</td></tr> <tr><td>B</td><td>03.03.2022</td><td>CLIENT COMMENTS</td></tr> <tr><td>C</td><td>08.07.2022</td><td>ALTOGETHER COMMENTS</td></tr> <tr><td>0</td><td>11.07.2022</td><td>ISSUED FOR CONSTRUCTION</td></tr> <tr><td>1</td><td>29.09.2022</td><td>ISSUED FOR CONSTRUCTION</td></tr> <tr><td>2</td><td>01.03.2023</td><td>ISSUED FOR CONSTRUCTION</td></tr> <tr><td>3</td><td>27.04.2023</td><td>WORK AS CONSTRUCTED</td></tr> </tbody> </table>	REV.	DATE	AMENDMENT	A	16.11.2021	INITIAL ISSUE	B	03.03.2022	CLIENT COMMENTS	C	08.07.2022	ALTOGETHER COMMENTS	0	11.07.2022	ISSUED FOR CONSTRUCTION	1	29.09.2022	ISSUED FOR CONSTRUCTION	2	01.03.2023	ISSUED FOR CONSTRUCTION	3	27.04.2023	WORK AS CONSTRUCTED	<table border="1" style="width: 100%; border-collapse: collapse;"> <thead> <tr> <th>DRAWN</th> <th>CHECK</th> <th>DESIGN</th> <th>VERIFY</th> </tr> </thead> <tbody> <tr> <td>G.S.</td> <td>C.B.</td> <td>G.S.</td> <td>C.B.</td> </tr> <tr> <td>G.S.</td> <td>C.B.</td> <td>G.S.</td> <td>C.B.</td> </tr> <tr> <td>G.S.</td> <td>C.B.</td> <td>G.S.</td> <td>C.B.</td> </tr> <tr> <td>G.S.</td> <td>C.B.</td> <td>G.S.</td> <td>C.B.</td> </tr> <tr> <td>G.S.</td> <td>C.B.</td> <td>G.S.</td> <td>C.B.</td> </tr> <tr> <td>G.S.</td> <td>T.B.</td> <td>G.S.</td> <td>D.T.</td> </tr> </tbody> </table>	DRAWN	CHECK	DESIGN	VERIFY	G.S.	C.B.	G.S.	C.B.	G.S.	C.B.	G.S.	C.B.	G.S.	C.B.	G.S.	C.B.	G.S.	C.B.	G.S.	C.B.	G.S.	C.B.	G.S.	C.B.	G.S.	T.B.	G.S.	D.T.	<p>SCALES</p> <p>SCALE: 1:250 (FULL)</p>	<p>Hunter Office Unit 7/335 Hillsborough Rd Warners Bay N.S.W. 2282 Phone: (02) 4978 5100 Fax: (02) 4978 5199 email: hunter@adwjohnson.com.au www.adwjohnson.com.au ABN 62 129 445 398</p>	<p>CLIENT</p>	<p>PROPERTY DESCRIPTION</p> <p style="text-align: center;">PROPOSED SUBDIVISION STAGE 34 HUNTLEE</p>	<p>PROJECT</p> <p style="text-align: center;">POTABLE WATER, RECYCLED WATER AND PRESSURE SEWER RETICULATION</p>
REV.	DATE	AMENDMENT																																																								
A	16.11.2021	INITIAL ISSUE																																																								
B	03.03.2022	CLIENT COMMENTS																																																								
C	08.07.2022	ALTOGETHER COMMENTS																																																								
0	11.07.2022	ISSUED FOR CONSTRUCTION																																																								
1	29.09.2022	ISSUED FOR CONSTRUCTION																																																								
2	01.03.2023	ISSUED FOR CONSTRUCTION																																																								
3	27.04.2023	WORK AS CONSTRUCTED																																																								
DRAWN	CHECK	DESIGN	VERIFY																																																							
G.S.	C.B.	G.S.	C.B.																																																							
G.S.	C.B.	G.S.	C.B.																																																							
G.S.	C.B.	G.S.	C.B.																																																							
G.S.	C.B.	G.S.	C.B.																																																							
G.S.	C.B.	G.S.	C.B.																																																							
G.S.	T.B.	G.S.	D.T.																																																							
				<p>PLAN TITLE</p> <p style="text-align: center;">POTABLE WATER DETAIL PLAN - SHEET 1</p>																																																						
				<p>PROJECT No.</p> <p style="font-size: 1.2em;">240037(34)</p>		<p>DISCIPLINE</p> <p style="font-size: 1.2em;">WAC</p>		<p>NUMBER</p> <p style="font-size: 1.2em;">101</p>	<p>REV.</p> <p style="font-size: 1.2em;">3</p>																																																	

240037(34)-WAC-103

100mm AT FULL SIZE
This plan includes coloured information. If you have a black and white copy, you do not have all of the information. This note is coloured red.



JOINS DRG-102



LEGEND

W	PVC-M POTABLE WATER RETICULATION
PWS	POTABLE WATER PROPERTY SERVICE
RW	PVC-M RECYCLED WATER RETICULATION
RWS	RECYCLED WATER PROPERTY SERVICE
SP	PE PRESSURE SEWER RETICULATION
PS S	PE PRESSURE SEWER PROPERTY SERVICE
EX PW	EXISTING POTABLE WATER RETICULATION
EX RW	EXISTING RECYCLED WATER RETICULATION
EX PS	EXISTING PRESSURE SEWER RETICULATION
SW	STORMWATER PIPEWORK
SV	STOP VALVE
HYD.	HYDRANT
FL HYD.	FLUSHING HYDRANT
●	PROPERTY SERVICE CONNECTION
○	LAY WATER MAIN OVER STORMWATER PIPE (300mm MIN. VERTICAL CLEARANCE) - REFER TO WAT-1255-H
11.25° 12.5°	HORIZONTAL BEND ANGLES IN MAIN
- - - - -	PROPOSED ASSET PROTECTION ZONE (APZ) BOUNDARY
- - - - -	SUBDIVISION STAGE BOUNDARY

- POTABLE WATER PROPERTY SERVICE CONNECTIONS**
 TOTAL 32 CONNECTIONS
 • SINGLE SERVICES IN ACCORDANCE WITH WAT-1106-V
 - 7 x SHORT SIDE
 - 9 x LONG SIDE
 • SPLIT SERVICES IN ACCORDANCE WITH WAT-1107-V
 - 4 x SHORT SIDE
 - 4 x LONG SIDE

POTABLE WATER PIPE DATA

PIPE SIZE (mm)	PIPE MATERIAL	TOTAL LENGTH (m)
DN100	PVC-M PN16	434
DN20 (LATERAL)	PE100 PN16	254

- NOTES:**
 1. LOCALLY PULL PIPES TO AVOID ANY POTENTIAL CLASH WITH STORMWATER PIT
 2. FOR RECYCLED WATER PIPEWORK DETAIL PLANS REFER TO DRGS-201 TO 203.
 3. FOR PRESSURE SEWER PIPEWORK DETAIL PLANS REFER TO DRGS-301 TO 303.
 4. FOR TYPICAL SERVICE CONNECTION DETAILS REFER TO DRG-402.

WORK AS CONSTRUCTED
 THESE DRAWINGS ARE AN ACCURATE REPRESENTATION AS AT 24/04/2023 OF THE WORK-AS-CONSTRUCTED, BUT THE POSITION OF THE WORK RELATIVE TO OTHER STRUCTURES OR BOUNDARIES IS APPROXIMATE ONLY AND HAS NOT BEEN VERIFIED BY PRECISE SURVEY.

COMPANY ADW Johnson Pty Ltd
 NAME DAVID IAN TURNER
 SIGNED [Signature] DATE 27/04/2023 REGISTERED SURVEYOR

COMPANY
 NAME
 SIGNED [Signature] DATE CONSTRUCTION MANAGER

ORIGIN OF W.A.C. LEVELS
 PM 20029
 E: 345612.942 Co-Ord System: MGA Ground
 N: 638278.917 MGA Datum: GDA94
 RL: 77.675m MGA Zone: 56

REV.	DATE	AMENDMENT	DRAWN	CHECK	DESIGN	VERIFY	SCALES
A	16.11.2021	INITIAL ISSUE	G.S.	C.B.	G.S.	C.B.	
B	03.03.2022	CLIENT COMMENTS	G.S.	C.B.	G.S.	C.B.	
C	08.07.2022	ALTOGETHER COMMENTS	G.S.	C.B.	G.S.	C.B.	
0	11.07.2022	ISSUED FOR CONSTRUCTION	G.S.	C.B.	G.S.	C.B.	
1	29.09.2022	ISSUED FOR CONSTRUCTION	G.S.	C.B.	G.S.	C.B.	
2	01.03.2023	ISSUED FOR CONSTRUCTION	G.S.	C.B.	G.S.	C.B.	
3	27.04.2023	WORK AS CONSTRUCTED	G.S.	T.B.	G.S.	D.T.	

adw Johnson
 Hunter Office
 Unit 7/335 Hillsborough Rd
 Warners Bay N.S.W. 2282
 Phone: (02) 4978 5100
 Fax: (02) 4978 5199
 email: hunter@adwjohnson.com.au
 www.adwjohnson.com.au
 ABN 62 129 445 398

CLIENT

PROPERTY DESCRIPTION
 PROPOSED SUBDIVISION
 STAGE 34
 HUNTLEE

PROJECT
 POTABLE WATER, RECYCLED WATER AND
 PRESSURE SEWER RETICULATION

PLAN TITLE
 POTABLE WATER DETAIL PLAN
 - SHEET 1

PROJECT No.	DISCIPLINE	NUMBER	REV.
240037(34)	WAC	103	3

APPROVED FOR CONSTRUCTION
 BY ADW Johnson Pty Ltd
 Date Approved: 11-07-2022

WORK AS CONSTRUCTED

PLAN
 SCALE 1:250



WORK AS CONSTRUCTED
 THESE DRAWINGS ARE AN ACCURATE REPRESENTATION AS AT 24/04/2023 OF THE WORK-AS-CONSTRUCTED, BUT THE POSITION OF THE WORK RELATIVE TO OTHER STRUCTURES OR BOUNDARIES IS APPROXIMATE ONLY AND HAS NOT BEEN VERIFIED BY PRECISE SURVEY.

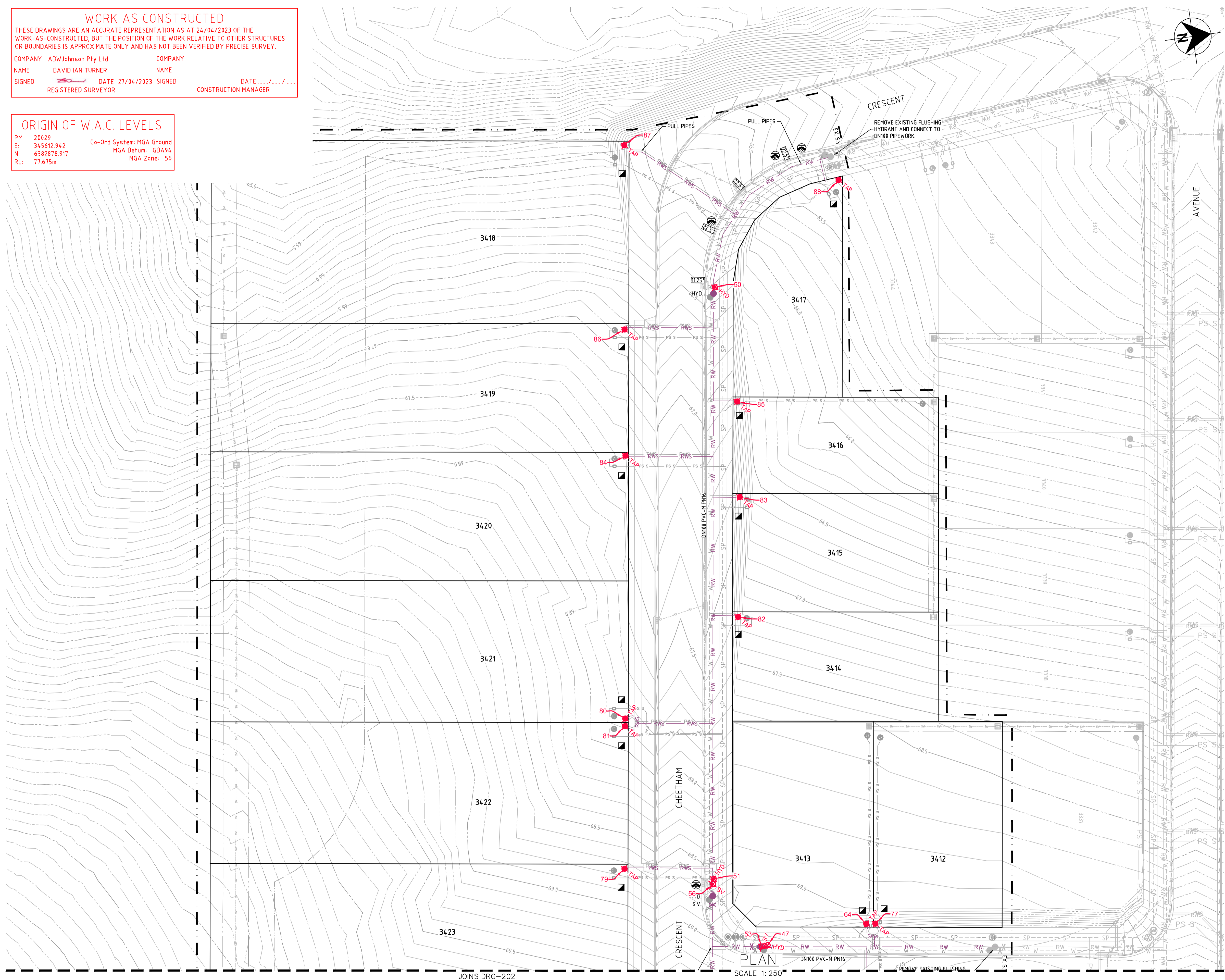
COMPANY ADW Johnson Pty Ltd COMPANY
 NAME DAVID IAN TURNER NAME
 SIGNED REGISTERED SURVEYOR DATE 27/04/2023 SIGNED CONSTRUCTION MANAGER DATE

ORIGIN OF W.A.C. LEVELS

PM 20029 Co-Ord System: MGA Ground
 E: 345612.942 MGA Datum: GDA94
 N: 6382878.917 MGA Zone: 56
 RL: 77.675m

240037(34)-WAC-203

100mm AT FULL SIZE
 This plan includes coloured information. If you have a black and white copy you do not have all of the information. This note is coloured RED.



- LEGEND**
- RW — RW — RW — PVC-M RECYCLED WATER RETICULATION
 - RWS — RWS — RWS — RECYCLED WATER PROPERTY SERVICE
 - W — W — W — PVC-M POTABLE WATER RETICULATION
 - PWS — PWS — PWS — POTABLE WATER PROPERTY SERVICE
 - SP — SP — SP — PE PRESSURE SEWER RETICULATION
 - PS S — PS S — PS S — PE PRESSURE SEWER PROPERTY SERVICE
 - EX RW — EX RW — EX RW — EXISTING RECYCLED WATER RETICULATION
 - EX PW — EX PW — EX PW — EXISTING POTABLE WATER RETICULATION
 - EX PS — EX PS — EX PS — EXISTING PRESSURE SEWER RETICULATION
 - SW — SW — SW — STORMWATER PIPEWORK
 - SV STOP VALVE
 - HYD HYDRANT
 - FL HYD FLUSHING HYDRANT
 - PROPERTY SERVICE CONNECTION
 - LAY WATER MAIN OVER STORMWATER PIPE (300mm MIN. VERTICAL CLEARANCE) - REFER TO WAT-1255-H
 - HORIZONTAL BEND ANGLES IN MAIN (112.5° 22.5°)
 - PROPOSED ASSET PROTECTION ZONE (APZ) BOUNDARY
 - SUBDIVISION STAGE BOUNDARY

- RECYCLED WATER PROPERTY SERVICE CONNECTIONS**
- TOTAL 32 CONNECTIONS
- SINGLE SERVICES IN ACCORDANCE WITH WAT-1106-V
 - 7 x SHORT SIDE
 - 9 x LONG SIDE
 - SPLIT SERVICES IN ACCORDANCE WITH WAT-1107-V
 - 4 x SHORT SIDE
 - 4 x LONG SIDE

RECYCLED WATER PIPE DATA		
PIPE SIZE (mm)	PIPE MATERIAL	TOTAL LENGTH (m)
DN100	PVC-M PN16	432
DN25 (LATERAL)	PE100 PN16	260

- NOTES:**
1. LOCALLY PULL PIPES TO AVOID ANY POTENTIAL CLASH WITH STORMWATER PIT.
 2. FOR POTABLE WATER PIPEWORK DETAIL PLANS REFER TO DRGS-101 TO 103.
 3. FOR PRESSURE SEWER PIPEWORK DETAIL PLANS REFER TO DRGS-301 TO 303.
 4. FOR TYPICAL SERVICE CONNECTION DETAILS REFER TO DRG-402.

APPROVED FOR CONSTRUCTION
 BY ADW Johnson Pty Ltd
 Date Approved: 11-07-2022

WORK AS CONSTRUCTED

<table border="1" style="width: 100%; border-collapse: collapse;"> <thead> <tr> <th>REV.</th> <th>DATE</th> <th>AMENDMENT</th> <th>DRAWN</th> <th>CHECK</th> <th>DESIGN</th> <th>VERIFY</th> <th>SCALES</th> </tr> </thead> <tbody> <tr> <td>A</td> <td>16.11.2021</td> <td>INITIAL ISSUE</td> <td>G.S.</td> <td>C.B.</td> <td>G.S.</td> <td>C.B.</td> <td></td> </tr> <tr> <td>B</td> <td>03.03.2022</td> <td>CLIENT COMMENTS</td> <td>G.S.</td> <td>C.B.</td> <td>G.S.</td> <td>C.B.</td> <td></td> </tr> <tr> <td>C</td> <td>08.07.2022</td> <td>ALTOGETHER COMMENTS</td> <td>G.S.</td> <td>C.B.</td> <td>G.S.</td> <td>C.B.</td> <td></td> </tr> <tr> <td>0</td> <td>11.07.2022</td> <td>ISSUED FOR CONSTRUCTION</td> <td>G.S.</td> <td>C.B.</td> <td>G.S.</td> <td>C.B.</td> <td></td> </tr> <tr> <td>1</td> <td>29.09.2022</td> <td>ISSUED FOR CONSTRUCTION</td> <td>G.S.</td> <td>C.B.</td> <td>G.S.</td> <td>C.B.</td> <td></td> </tr> <tr> <td>2</td> <td>01.03.2023</td> <td>ISSUED FOR CONSTRUCTION</td> <td>G.S.</td> <td>C.B.</td> <td>G.S.</td> <td>C.B.</td> <td></td> </tr> <tr> <td style="color: red;">3</td> <td style="color: red;">27.04.2023</td> <td style="color: red;">WORK AS CONSTRUCTED</td> <td style="color: red;">G.S.</td> <td style="color: red;">T.B.</td> <td style="color: red;">G.S.</td> <td style="color: red;">D.T.</td> <td></td> </tr> </tbody> </table>	REV.	DATE	AMENDMENT	DRAWN	CHECK	DESIGN	VERIFY	SCALES	A	16.11.2021	INITIAL ISSUE	G.S.	C.B.	G.S.	C.B.		B	03.03.2022	CLIENT COMMENTS	G.S.	C.B.	G.S.	C.B.		C	08.07.2022	ALTOGETHER COMMENTS	G.S.	C.B.	G.S.	C.B.		0	11.07.2022	ISSUED FOR CONSTRUCTION	G.S.	C.B.	G.S.	C.B.		1	29.09.2022	ISSUED FOR CONSTRUCTION	G.S.	C.B.	G.S.	C.B.		2	01.03.2023	ISSUED FOR CONSTRUCTION	G.S.	C.B.	G.S.	C.B.		3	27.04.2023	WORK AS CONSTRUCTED	G.S.	T.B.	G.S.	D.T.				<p>Hunter Office Unit 7/335 Hillsborough Rd Warners Bay N.S.W. 2282 Phone: (02) 4978 5100 Fax: (02) 4978 5199 email: hunter@adwjohnson.com.au www.adwjohnson.com.au ABN 62 129 445 398</p>		<p>CLIENT</p> <p>PROPOSED SUBDIVISION STAGE 34 HUNTLEE</p>	<p>PROPERTY DESCRIPTION</p> <p>POTABLE WATER, RECYCLED WATER AND PRESSURE SEWER RETICULATION</p>	<p>PROJECT</p> <p>POTABLE WATER, RECYCLED WATER AND PRESSURE SEWER RETICULATION</p>	<p>PLAN TITLE</p> <p>RECYCLED WATER DETAIL PLAN - SHEET 1</p>	<table border="1" style="width: 100%; border-collapse: collapse;"> <tr> <th>PROJECT No.</th> <th>DISCIPLINE</th> <th>NUMBER</th> <th>REV.</th> </tr> <tr> <td>240037(34)</td> <td>WAC</td> <td>201</td> <td>3</td> </tr> </table>	PROJECT No.	DISCIPLINE	NUMBER	REV.	240037(34)	WAC	201	3
REV.	DATE	AMENDMENT	DRAWN	CHECK	DESIGN	VERIFY	SCALES																																																																										
A	16.11.2021	INITIAL ISSUE	G.S.	C.B.	G.S.	C.B.																																																																											
B	03.03.2022	CLIENT COMMENTS	G.S.	C.B.	G.S.	C.B.																																																																											
C	08.07.2022	ALTOGETHER COMMENTS	G.S.	C.B.	G.S.	C.B.																																																																											
0	11.07.2022	ISSUED FOR CONSTRUCTION	G.S.	C.B.	G.S.	C.B.																																																																											
1	29.09.2022	ISSUED FOR CONSTRUCTION	G.S.	C.B.	G.S.	C.B.																																																																											
2	01.03.2023	ISSUED FOR CONSTRUCTION	G.S.	C.B.	G.S.	C.B.																																																																											
3	27.04.2023	WORK AS CONSTRUCTED	G.S.	T.B.	G.S.	D.T.																																																																											
PROJECT No.	DISCIPLINE	NUMBER	REV.																																																																														
240037(34)	WAC	201	3																																																																														
<p>DESIGN FILE: N:\240037\DWG\Water & Sewer\Stage 34 Water and Sewer\240037(34)-huntlee-water.dwg</p>		<p>ALL DIMENSIONS ARE IN METRES U.N.O. DO NOT SCALE</p>		<p>Plotted By: iainb Plot Date: 11/05/23 - 08:19 Cad File: \\jserver10\adw-data\240072\DWG\Water & Sewer\Stage 34-WAC\240037(34)-WAC-203.dwg</p>																																																																													



WORK AS CONSTRUCTED
 THESE DRAWINGS ARE AN ACCURATE REPRESENTATION AS AT 24/04/2023 OF THE WORK-AS-CONSTRUCTED, BUT THE POSITION OF THE WORK RELATIVE TO OTHER STRUCTURES OR BOUNDARIES IS APPROXIMATE ONLY AND HAS NOT BEEN VERIFIED BY PRECISE SURVEY.

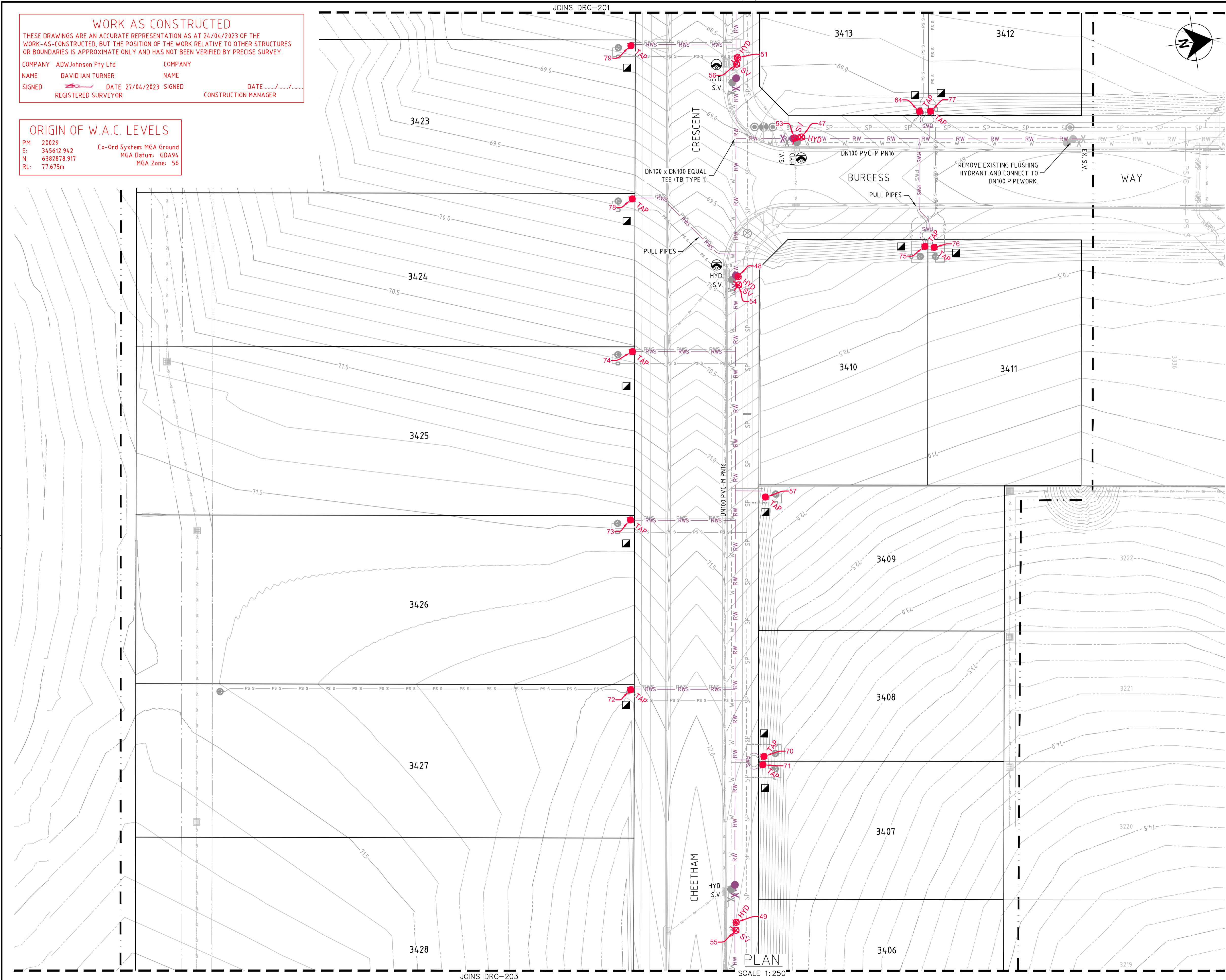
COMPANY ADW Johnson Pty Ltd COMPANY
 NAME DAVID IAN TURNER NAME
 SIGNED REGISTERED SURVEYOR DATE 27/04/2023 SIGNED CONSTRUCTION MANAGER DATE

ORIGIN OF W.A.C. LEVELS

PM 20029 Co-Ord System: MGA Ground
 E: 345612.942 MGA Datum: GDA94
 N: 6382878.917 MGA Zone: 56
 RL: 77.675m

240037(34)-WAC-203

100mm AT FULL SIZE
 This plan includes coloured information. If you have a black and white copy you do not have all of the information. This note is coloured RED.



- LEGEND**
- RW RW RW PVC-M RECYCLED WATER RETICULATION
 - RWS RWS RWS RECYCLED WATER PROPERTY SERVICE
 - W W W PVC-M POTABLE WATER RETICULATION
 - PWS PWS PWS POTABLE WATER PROPERTY SERVICE
 - SP SP SP PE PRESSURE SEWER RETICULATION
 - PS S PS S PE PRESSURE SEWER PROPERTY SERVICE
 - EX RW EX RW EXISTING RECYCLED WATER RETICULATION
 - EX PW EX PW EXISTING POTABLE WATER RETICULATION
 - EX PS EX PS EXISTING PRESSURE SEWER RETICULATION
 - SW SW SW STORMWATER PIPEWORK
 - SV SV SV STOP VALVE
 - HYD HYD HYDRANT
 - FL HYD FL HYD FLUSHING HYDRANT
 - PROPERTY SERVICE CONNECTION
 - LAY WATER MAIN OVER STORMWATER PIPE (300mm MIN. VERTICAL CLEARANCE) - REFER TO WAT-1255-H
 - 1125° 22.5° HORIZONTAL BEND ANGLES IN MAIN
 - PROPOSED ASSET PROTECTION ZONE (APZ) BOUNDARY
 - SUBDIVISION STAGE BOUNDARY

- RECYCLED WATER PROPERTY SERVICE CONNECTIONS**
- TOTAL 32 CONNECTIONS
 - SINGLE SERVICES IN ACCORDANCE WITH WAT-1106-V
 - 7 x SHORT SIDE
 - 9 x LONG SIDE
 - SPLIT SERVICES IN ACCORDANCE WITH WAT-1107-V
 - 4 x SHORT SIDE
 - 4 x LONG SIDE

RECYCLED WATER PIPE DATA		
PIPE SIZE (mm)	PIPE MATERIAL	TOTAL LENGTH (m)
DN100	PVC-M PN16	432
DN25 (LATERAL)	PE100 PN16	260

- NOTES:**
1. LOCALLY PULL PIPES TO AVOID ANY POTENTIAL CLASH WITH STORMWATER PIT.
 2. FOR POTABLE WATER PIPEWORK DETAIL PLANS REFER TO DRGS-101 TO 103.
 3. FOR PRESSURE SEWER PIPEWORK DETAIL PLANS REFER TO DRGS-301 TO 303.
 4. FOR TYPICAL SERVICE CONNECTION DETAILS REFER TO DRG-402.

APPROVED FOR CONSTRUCTION
 BY ADW Johnson Pty Ltd
 Date Approved: 11-07-2022

WORK AS CONSTRUCTED

REV.	DATE	AMENDMENT	DRAWN	CHECK	DESIGN	VERIFY	SCALES			CLIENT	PROPERTY DESCRIPTION	PROJECT									
A	16.11.2021	INITIAL ISSUE	G.S.	C.B.	G.S.	C.B.			Hunter Office		PROPOSED SUBDIVISION	POTABLE WATER, RECYCLED WATER AND									
B	03.03.2022	CLIENT COMMENTS	G.S.	C.B.	G.S.	C.B.			Unit 7/335 Hillsborough Rd		STAGE 34	PRESSURE SEWER RETICULATION									
C	08.07.2022	ALTOGETHER COMMENTS	G.S.	C.B.	G.S.	C.B.			Warners Bay N.S.W. 2282		HUNTLEE										
0	11.07.2022	ISSUED FOR CONSTRUCTION	G.S.	C.B.	G.S.	C.B.			Phone: (02) 4978 5100												
1	29.09.2022	ISSUED FOR CONSTRUCTION	G.S.	C.B.	G.S.	C.B.			Fax: (02) 4978 5199												
2	01.03.2023	ISSUED FOR CONSTRUCTION	G.S.	C.B.	G.S.	C.B.			email: hunter@adwjohnson.com.au												
3	27.04.2023	WORK AS CONSTRUCTED	G.S.	T.B.	G.S.	D.T.			www.adwjohnson.com.au												
										SURVEYED Daly.Smith Pty Ltd		DATUM GDA94 M.G.A. ZONE 56 A.H.D.		PROJECT No. 240037(34)		DISCIPLINE WAC		NUMBER 202		REV. 3	

240037(34)-WAC-203

100mm AT FULL SIZE
This plan includes coloured information. If you have a black and white copy, you do not have all of the information. This note is coloured RED.

JOINS DRG-202



- LEGEND**
- RW — RW — PVC-M RECYCLED WATER RETICULATION
 - RWS — RWS — RECYCLED WATER PROPERTY SERVICE
 - - - W - - - W - - - PVC-M POTABLE WATER RETICULATION
 - - - PWS - - - PWS - - - POTABLE WATER PROPERTY SERVICE
 - - - SP - - - SP - - - PE PRESSURE SEWER RETICULATION
 - - - PS S - - - PS S - - - PE PRESSURE SEWER PROPERTY SERVICE
 - - - EX RW - - - EX RW - - - EXISTING RECYCLED WATER RETICULATION
 - - - EX PW - - - EX PW - - - EXISTING POTABLE WATER RETICULATION
 - - - EX PS - - - EX PS - - - EXISTING PRESSURE SEWER RETICULATION
 - - - SW - - - SW - - - STORMWATER PIPEWORK
 - SV. STOP VALVE
 - HYD. HYDRANT
 - FL HYD. FLUSHING HYDRANT
 - PROPERTY SERVICE CONNECTION
 - LAY WATER MAIN OVER STORMWATER PIPE (300mm MIN. VERTICAL CLEARANCE) - REFER TO WAT-1255-H
 - HORIZONTAL BEND ANGLES IN MAIN
 - PROPOSED ASSET PROTECTION ZONE (APZ) BOUNDARY
 - SUBDIVISION STAGE BOUNDARY

- RECYCLED WATER PROPERTY SERVICE CONNECTIONS**
- TOTAL 32 CONNECTIONS
 - SINGLE SERVICES IN ACCORDANCE WITH WAT-1106-V
 - 7 x SHORT SIDE
 - 9 x LONG SIDE
 - SPLIT SERVICES IN ACCORDANCE WITH WAT-1107-V
 - 4 x SHORT SIDE
 - 4 x LONG SIDE

RECYCLED WATER PIPE DATA		
PIPE SIZE (mm)	PIPE MATERIAL	TOTAL LENGTH (m)
DN100	PVC-M PN16	432
DN25 (LATERAL)	PE100 PN16	260

- NOTES:**
1. LOCALLY PULL PIPES TO AVOID ANY POTENTIAL CLASH WITH STORMWATER PIT.
 2. FOR POTABLE WATER PIPEWORK DETAIL PLANS REFER TO DRGS-101 TO 103.
 3. FOR PRESSURE SEWER PIPEWORK DETAIL PLANS REFER TO DRGS-301 TO 303.
 4. FOR TYPICAL SERVICE CONNECTION DETAILS REFER TO DRG-402.

WORK AS CONSTRUCTED
 THESE DRAWINGS ARE AN ACCURATE REPRESENTATION AS AT 24/04/2023 OF THE WORK-AS-CONSTRUCTED, BUT THE POSITION OF THE WORK RELATIVE TO OTHER STRUCTURES OR BOUNDARIES IS APPROXIMATE ONLY AND HAS NOT BEEN VERIFIED BY PRECISE SURVEY.

COMPANY ADW Johnson Pty Ltd
 NAME DAVID IAN TURNER
 SIGNED DATE 27/04/2023 REGISTERED SURVEYOR

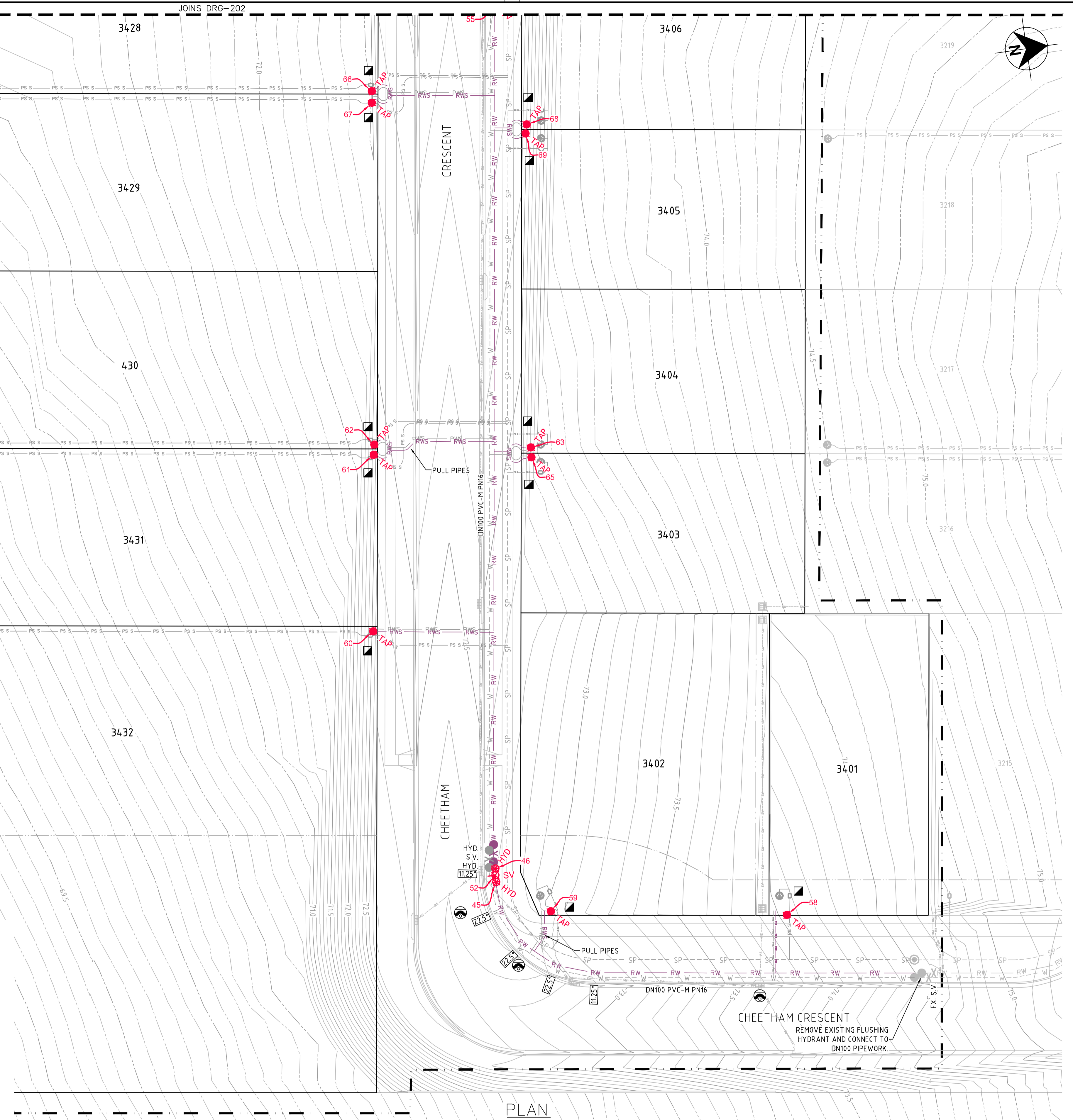
COMPANY
 NAME
 SIGNED _____ DATE _____ CONSTRUCTION MANAGER

ORIGIN OF W.A.C. LEVELS

PM 20029
 E: 345612.942
 N: 638278.917
 RL: 77.675m

Co-Ord System: MGA Ground
 MGA Datum: GDA94
 MGA Zone: 56

REV.	DATE	AMENDMENT	DRAWN	CHECK	DESIGN	VERIFY	SCALES
A	16.11.2021	INITIAL ISSUE	G.S.	C.B.	G.S.	C.B.	 SCALE: 1:250 (FULL)
B	03.03.2022	CLIENT COMMENTS	G.S.	C.B.	G.S.	C.B.	
C	08.07.2022	ALTOGETHER COMMENTS	G.S.	C.B.	G.S.	C.B.	
0	11.07.2022	ISSUED FOR CONSTRUCTION	G.S.	C.B.	G.S.	C.B.	
1	29.09.2022	ISSUED FOR CONSTRUCTION	G.S.	C.B.	G.S.	C.B.	
2	01.03.2023	ISSUED FOR CONSTRUCTION	G.S.	C.B.	G.S.	C.B.	
3	27.04.2023	WORK AS CONSTRUCTED	G.S.	T.B.	G.S.	D.T.	



PLAN
SCALE 1:250

APPROVED FOR CONSTRUCTION
 BY ADW Johnson Pty Ltd
 Date Approved: 11-07-2022

WORK AS CONSTRUCTED

DESIGN FILE: N:\240037\DWG\Water & Sewer\Stage 34 Water and Sewer\240037(34)-huntlee-water.dwg ALL DIMENSIONS ARE IN METRES U.N.O. DO NOT SCALE			Hunter Office Unit 7/335 Hillsborough Rd Warners Bay N.S.W. 2282 Phone: (02) 4978 5100 Fax: (02) 4978 5199 email: hunter@adwjohnson.com.au www.adwjohnson.com.au ABN 62 129 445 398	CLIENT 	PROPERTY DESCRIPTION PROPOSED SUBDIVISION STAGE 34 HUNTLEE	PROJECT POTABLE WATER, RECYCLED WATER AND PRESSURE SEWER RETICULATION
				PLAN TITLE RECYCLED WATER DETAIL PLAN - SHEET 3		PROJECT No. 240037(34)
				SURVEYED Daly Smith Pty Ltd		DATUM GDA94 M.G.A. ZONE 56 A.H.D.
				DISCIPLINE WAC		NUMBER 203
				REV. 3		



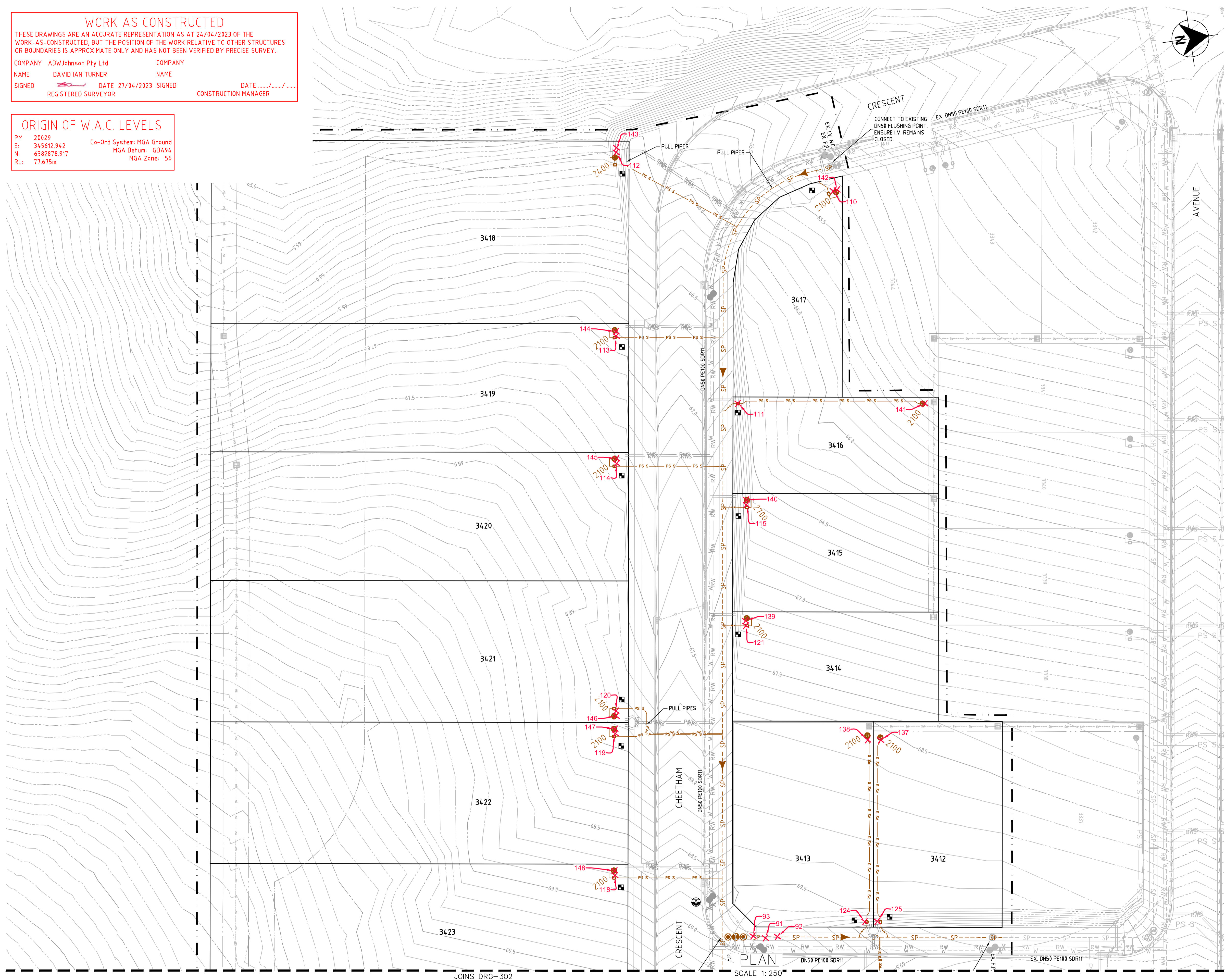
WORK AS CONSTRUCTED
 THESE DRAWINGS ARE AN ACCURATE REPRESENTATION AS AT 24/04/2023 OF THE WORK-AS-CONSTRUCTED, BUT THE POSITION OF THE WORK RELATIVE TO OTHER STRUCTURES OR BOUNDARIES IS APPROXIMATE ONLY AND HAS NOT BEEN VERIFIED BY PRECISE SURVEY.

COMPANY ADW Johnson Pty Ltd COMPANY
 NAME DAVID IAN TURNER NAME
 SIGNED DATE 27/04/2023 SIGNED DATE
 REGISTERED SURVEYOR CONSTRUCTION MANAGER

ORIGIN OF W.A.C. LEVELS
 PM 20029
 E: 345612.942 Co-Ord System: MGA Ground
 N: 6382878.917 MGA Datum: GDA94
 RL: 77.675m MGA Zone: 56

240037(34)-WAC-303

100mm AT FULL SIZE
 This plan includes coloured information. If you have a black and white copy you do not have all of the information. This note is coloured RED.



- LEGEND**
- SP --- SP PE PRESSURE SEWER RETICULATION
 - PS S --- PS S PE PRESSURE SEWER PROPERTY SERVICE
 - EX PW --- EX PW PVC-M POTABLE WATER RETICULATION
 - PWS --- PWS POTABLE WATER PROPERTY SERVICE
 - RW --- RW PVC-M RECYCLED WATER RETICULATION
 - RWS --- RWS RECYCLED WATER PROPERTY SERVICE
 - EX PS --- EX PS EXISTING PRESSURE SEWER RETICULATION
 - EX PW --- EX PW EXISTING POTABLE WATER RETICULATION
 - EX RW --- EX RW EXISTING RECYCLED WATER RETICULATION
 - SW --- SW STORMWATER PIPEWORK
 - IV. ISOLATION VALVE
 - IV. (NC) ISOLATION VALVE - NORMALLY CLOSED
 - F.P. FLUSHING POINT
 - WASTEWATER COLLECTION TANK AND BOUNDARY KIT
 - PRESSURE SEWER FLOW DIRECTION (SEE NOTE 7)
 - PRESSURE SEWER TEMPORARY FLOW DIRECTION
 - PROPERTY SERVICE CONNECTION
 - LAY PRESSURE SEWER MAIN UNDER STORMWATER PIPE (300mm MIN. VERTICAL CLEARANCE) - REFER TO WAT-1255-H
 - PROPOSED ASSET PROTECTION ZONE (APZ) BOUNDARY
 - SUBDIVISION STAGE BOUNDARY

■ PRESSURE SEWER PROPERTY SERVICE CONNECTIONS
 TOTAL 32 CONNECTIONS
 • SINGLE SERVICES
 -15 x SHORT SIDE
 -17 x LONG SIDE

PRESSURE SEWER PIPE DATA		
PIPE SIZE (mm)	PIPE MATERIAL	TOTAL LENGTH (m)
DN63	PE100 SDR11	217
DN50	PE100 SDR11	212
DN40 (LATERAL)	PE100 SDR11	745

- NOTES:**
- FOR POTABLE WATER PIPEWORK DETAIL PLANS REFER TO DRGS-101 TO 103.
 - FOR RECYCLED WATER PIPEWORK DETAIL PLANS REFER TO DRGS-201 TO 203.
 - FOR TYPICAL SERVICE CONNECTION DETAILS REFER TO DRG-402.
 - FOR FLUSHING POINT TYPICAL DETAILS REFER TO STANDARD DRAWING PSS-1017-FS.
 - FOR FLOW MONITORING POINT TYPICAL DETAILS REFER TO STANDARD DRAWING PSS-115-FS.
 - CONTRACTOR MAY BEND POLYETHYLENE PIPEWORK IN PLACE OF USING STANDARD FITTINGS WITH A MIN. BENDING RADIUS OF 20 x PIPE DIAM.
 - ALL BENDS SHALL BE ELECTROFUSION SWEEP BENDS (FABRICATED BENDS SHALL NOT BE USED).

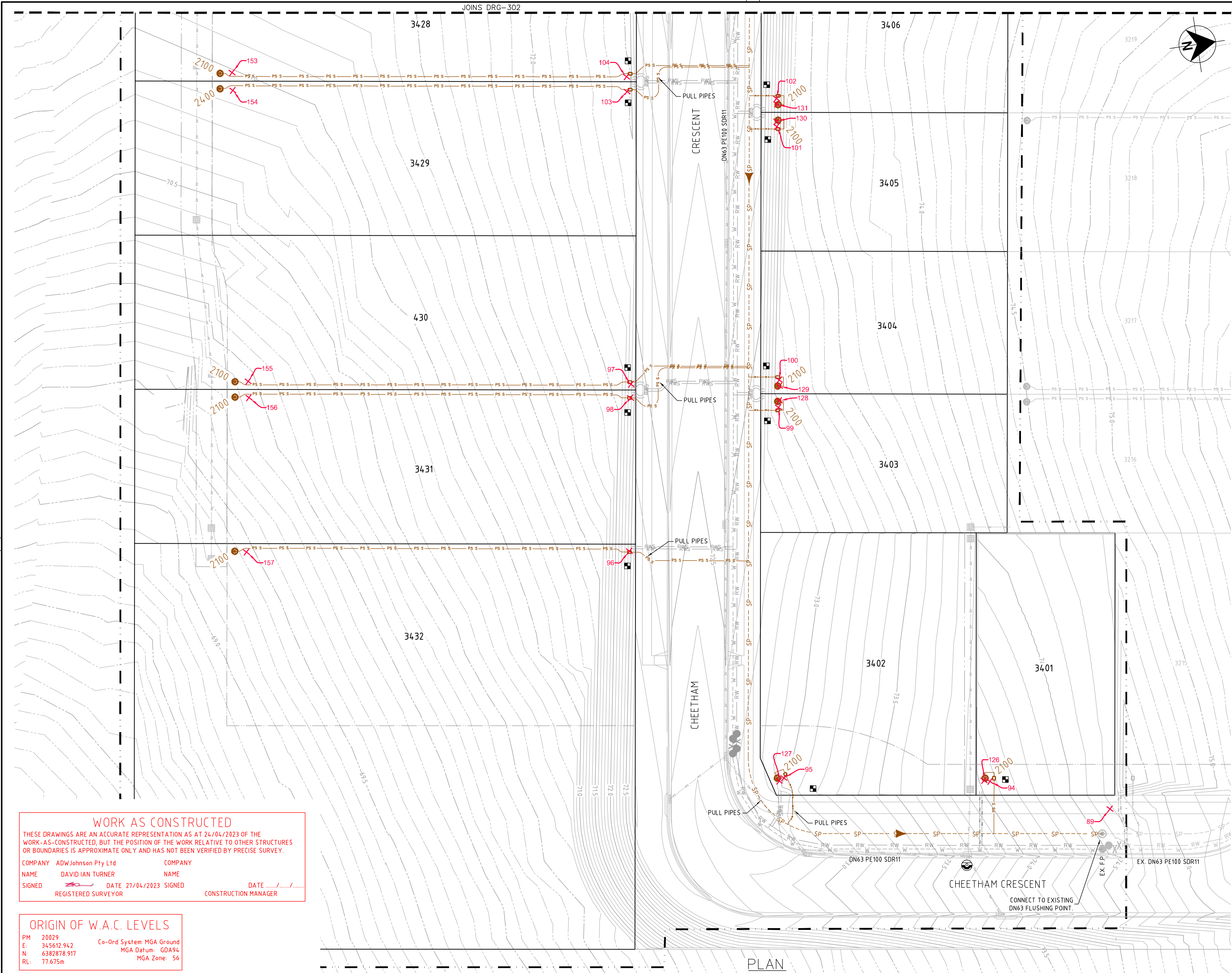
APPROVED FOR CONSTRUCTION
 BY ADW Johnson Pty Ltd
 Date Approved: 11-07-2022

WORK AS CONSTRUCTED

<table border="1" style="width: 100%; border-collapse: collapse;"> <thead> <tr> <th>REV.</th> <th>DATE</th> <th>AMENDMENT</th> </tr> </thead> <tbody> <tr><td>A</td><td>16.11.2021</td><td>INITIAL ISSUE</td></tr> <tr><td>B</td><td>03.03.2022</td><td>CLIENT COMMENTS</td></tr> <tr><td>C</td><td>08.07.2022</td><td>ALTOGETHER COMMENTS</td></tr> <tr><td>0</td><td>11.07.2022</td><td>ISSUED FOR CONSTRUCTION</td></tr> <tr><td>1</td><td>29.09.2022</td><td>ISSUED FOR CONSTRUCTION</td></tr> <tr><td>2</td><td>01.03.2023</td><td>ISSUED FOR CONSTRUCTION</td></tr> <tr><td>3</td><td>27.04.2023</td><td>WORK AS CONSTRUCTED</td></tr> </tbody> </table>	REV.	DATE	AMENDMENT	A	16.11.2021	INITIAL ISSUE	B	03.03.2022	CLIENT COMMENTS	C	08.07.2022	ALTOGETHER COMMENTS	0	11.07.2022	ISSUED FOR CONSTRUCTION	1	29.09.2022	ISSUED FOR CONSTRUCTION	2	01.03.2023	ISSUED FOR CONSTRUCTION	3	27.04.2023	WORK AS CONSTRUCTED	<table border="1" style="width: 100%; border-collapse: collapse;"> <thead> <tr> <th>DRAWN</th> <th>CHECK</th> <th>DESIGN</th> <th>VERIFY</th> </tr> </thead> <tbody> <tr> <td>G.S.</td> <td>C.B.</td> <td>G.S.</td> <td>C.B.</td> </tr> <tr> <td>G.S.</td> <td>C.B.</td> <td>G.S.</td> <td>C.B.</td> </tr> <tr> <td>G.S.</td> <td>C.B.</td> <td>G.S.</td> <td>C.B.</td> </tr> <tr> <td>G.S.</td> <td>C.B.</td> <td>G.S.</td> <td>C.B.</td> </tr> <tr> <td>G.S.</td> <td>C.B.</td> <td>G.S.</td> <td>C.B.</td> </tr> <tr> <td>G.S.</td> <td>T.B.</td> <td>G.S.</td> <td>D.T.</td> </tr> </tbody> </table>	DRAWN	CHECK	DESIGN	VERIFY	G.S.	C.B.	G.S.	C.B.	G.S.	C.B.	G.S.	C.B.	G.S.	C.B.	G.S.	C.B.	G.S.	C.B.	G.S.	C.B.	G.S.	C.B.	G.S.	C.B.	G.S.	T.B.	G.S.	D.T.	<p>SCALES</p> <p>SCALE: 1:250 (FULL)</p>	<p>Hunter Office Unit 7/335 Hillsborough Rd Warners Bay N.S.W. 2282 Phone: (02) 4978 5100 Fax: (02) 4978 5199 email: hunter@adwjohnson.com.au www.adwjohnson.com.au ABN 62 129 445 398</p>	<p>CLIENT</p>	<p>PROPERTY DESCRIPTION</p> <p style="text-align: center;">PROPOSED SUBDIVISION STAGE 34 HUNTLEE</p>	<p>PROJECT</p> <p style="text-align: center;">POTABLE WATER, RECYCLED WATER AND PRESSURE SEWER RETICULATION</p>
REV.	DATE	AMENDMENT																																																								
A	16.11.2021	INITIAL ISSUE																																																								
B	03.03.2022	CLIENT COMMENTS																																																								
C	08.07.2022	ALTOGETHER COMMENTS																																																								
0	11.07.2022	ISSUED FOR CONSTRUCTION																																																								
1	29.09.2022	ISSUED FOR CONSTRUCTION																																																								
2	01.03.2023	ISSUED FOR CONSTRUCTION																																																								
3	27.04.2023	WORK AS CONSTRUCTED																																																								
DRAWN	CHECK	DESIGN	VERIFY																																																							
G.S.	C.B.	G.S.	C.B.																																																							
G.S.	C.B.	G.S.	C.B.																																																							
G.S.	C.B.	G.S.	C.B.																																																							
G.S.	C.B.	G.S.	C.B.																																																							
G.S.	C.B.	G.S.	C.B.																																																							
G.S.	T.B.	G.S.	D.T.																																																							
						<p>PLAN TITLE</p> <p style="text-align: center;">PRESSURE SEWER DETAIL PLAN - SHEET 1</p>																																																				
						<table border="1" style="width: 100%; border-collapse: collapse;"> <tr> <th>PROJECT No.</th> <th>DISCIPLINE</th> <th>NUMBER</th> <th>REV.</th> </tr> <tr> <td>240037(34)</td> <td>WAC</td> <td>301</td> <td>3</td> </tr> </table>		PROJECT No.	DISCIPLINE	NUMBER	REV.	240037(34)	WAC	301	3																																											
PROJECT No.	DISCIPLINE	NUMBER	REV.																																																							
240037(34)	WAC	301	3																																																							

240037(34)-WAC-303

100mm AT FULL SIZE
This plan includes coloured information. If you have a black and white copy, you do not have all of the information. This note is coloured RED.



LEGEND

SP	SP	PE PRESSURE SEWER RETICULATION
PS S	PS S	PE PRESSURE SEWER PROPERTY SERVICE
EX PW	EX PW	PVC-M POTABLE WATER RETICULATION
PWS	PWS	POTABLE WATER PROPERTY SERVICE
RW	RW	PVC-M RECYCLED WATER RETICULATION
RWS	RWS	RECYCLED WATER PROPERTY SERVICE
EX PS	EX PS	EXISTING PRESSURE SEWER RETICULATION
EX PW	EX PW	EXISTING POTABLE WATER RETICULATION
EX RW	EX RW	EXISTING RECYCLED WATER RETICULATION
SW	SW	STORMWATER PIPEWORK
IV	IV	ISOLATION VALVE
IV (INC)	IV (INC)	ISOLATION VALVE - NORMALLY CLOSED
F.P.	F.P.	FLUSHING POINT
WWT	WWT	WASTEWATER COLLECTION TANK AND BOUNDARY KIT
PSD	PSD	PRESSURE SEWER FLOW DIRECTION (SEE NOTE 7)
PSD (TEMP)	PSD (TEMP)	PRESSURE SEWER TEMPORARY FLOW DIRECTION
PS-C	PS-C	PROPERTY SERVICE CONNECTION
APZ	APZ	LAY PRESSURE SEWER MAIN UNDER STORMWATER PIPE (300mm MIN. VERTICAL CLEARANCE) - REFER TO WAT-1255-H
APZ	APZ	PROPOSED ASSET PROTECTION ZONE (APZ) BOUNDARY
SSB	SSB	SUBDIVISION STAGE BOUNDARY

PS PRESSURE SEWER PROPERTY SERVICE CONNECTIONS
 TOTAL 32 CONNECTIONS
 • SINGLE SERVICES
 -15 x SHORT SIDE
 -17 x LONG SIDE

PRESSURE SEWER PIPE DATA

PIPE SIZE (mm)	PIPE MATERIAL	TOTAL LENGTH (m)
DN63	PE100 SDR11	217
DN50	PE100 SDR11	212
DN40 (LATERAL)	PE100 SDR11	745

- NOTES:**
- FOR POTABLE WATER PIPEWORK DETAIL PLANS REFER TO DRGS-101 TO 103.
 - FOR RECYCLED WATER PIPEWORK DETAIL PLANS REFER TO DRGS-201 TO 203.
 - FOR TYPICAL SERVICE CONNECTION DETAILS REFER TO DRG-402.
 - FOR FLUSHING POINT TYPICAL DETAILS REFER TO STANDARD DRAWING PSS-1017-FS.
 - FOR FLOW MONITORING POINT TYPICAL DETAILS REFER TO STANDARD DRAWING PSS-1115-FS.
 - CONTRACTOR MAY BEND POLYETHYLENE PIPEWORK IN PLACE OF USING STANDARD FITTINGS WITH A MIN. BENDING RADIUS OF 20 x PIPE DIAM.
 - ALL BENDS SHALL BE ELECTROFUSION SWEEP BENDS (FABRICATED BENDS SHALL NOT BE USED).

WORK AS CONSTRUCTED
 THESE DRAWINGS ARE AN ACCURATE REPRESENTATION AS AT 24/04/2023 OF THE WORK-AS-CONSTRUCTED, BUT THE POSITION OF THE WORK RELATIVE TO OTHER STRUCTURES OR BOUNDARIES IS APPROXIMATE ONLY AND HAS NOT BEEN VERIFIED BY PRECISE SURVEY.

COMPANY ADW Johnson Pty Ltd COMPANY
 NAME DAVID IAN TURNER NAME
 SIGNED REGISTERED SURVEYOR SIGNED CONSTRUCTION MANAGER
 DATE 27/04/2023 DATE

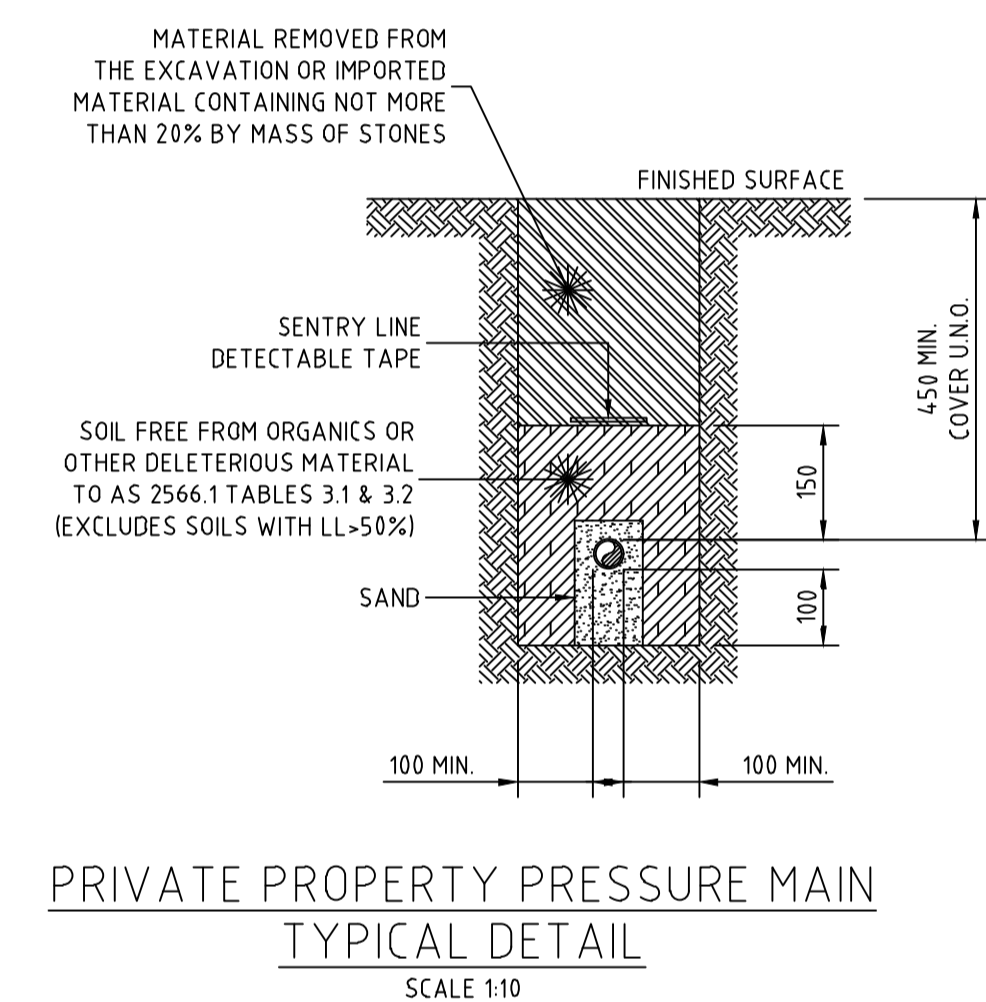
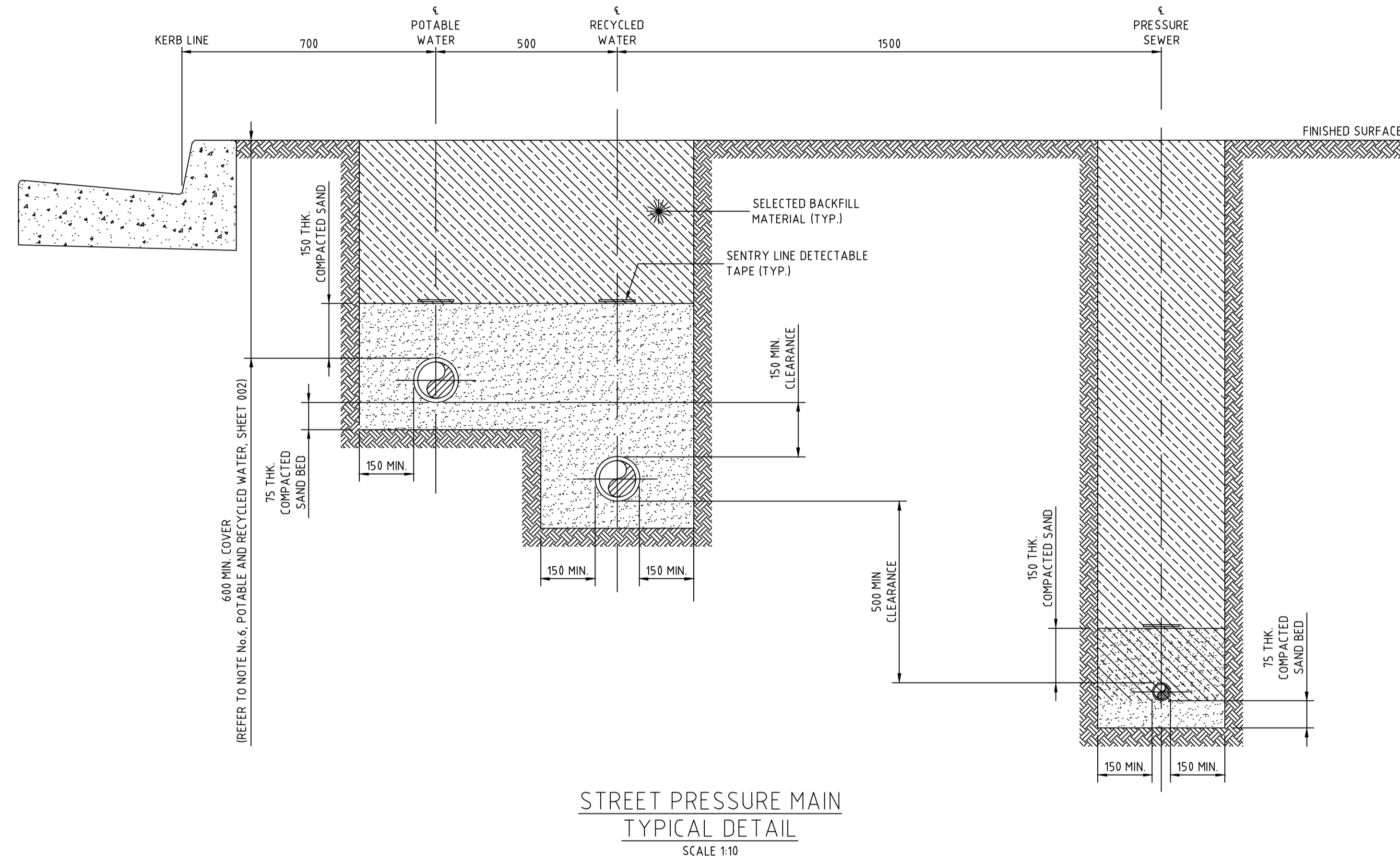
ORIGIN OF W.A.C. LEVELS
 PM 20029
 E: 345612.942 Co-Ord System: MGA Ground
 N: 6382878.917 MGA Datum: GDA94
 RL: 77.675m MGA Zone: 56

APPROVED FOR CONSTRUCTION
 BY ADW Johnson Pty Ltd
 Date Approved: 11-07-2022

WORK AS CONSTRUCTED

PLAN
 SCALE 1:250

REV.	DATE	AMENDMENT	DRAWN	CHECK	DESIGN	VERIFY	SCALES	CLIENT	PROPERTY DESCRIPTION	PROJECT	PLAN TITLE	PROJECT No.	DISCIPLINE	NUMBER	REV.
A	16.11.2021	INITIAL ISSUE	G.S.	C.B.	G.S.	C.B.	0 5.0 10.0 12.5m SCALE: 1:250 (FULL)	Hunter Office Unit 7/335 Hillsborough Rd Warners Bay N.S.W. 2282 Phone: (02) 4978 5100 Fax: (02) 4978 5199 email: hunter@adwjohnson.com.au www.adwjohnson.com.au ABN 62 129 445 398	PROPOSED SUBDIVISION STAGE 34 HUNTLEE	POTABLE WATER, RECYCLED WATER AND PRESSURE SEWER RETICULATION	PRESSURE SEWER DETAIL PLAN - SHEET 3	240037(34)	WAC	303	3
B	03.03.2022	CLIENT COMMENTS	G.S.	C.B.	G.S.	C.B.									
C	08.07.2022	ALTOGETHER COMMENTS	G.S.	C.B.	G.S.	C.B.									
0	11.07.2022	ISSUED FOR CONSTRUCTION	G.S.	C.B.	G.S.	C.B.									
1	29.09.2022	ISSUED FOR CONSTRUCTION	G.S.	C.B.	G.S.	C.B.									
2	01.03.2023	ISSUED FOR CONSTRUCTION	G.S.	C.B.	G.S.	C.B.									
3	27.04.2023	WORK AS CONSTRUCTED	G.S.	T.B.	G.S.	D.T.									



STREET PRESSURE MAIN
TYPICAL DETAIL
SCALE 1:10

PRIVATE PROPERTY PRESSURE MAIN
TYPICAL DETAIL
SCALE 1:10

NOTES:

- ALL POLYETHYLENE FITTINGS SHALL BE JOINED USING ELECTROFUSION JOINTING TECHNIQUES IN ACCORDANCE WITH MANUFACTURERS REQUIREMENTS. ROTATE BENDS AS NECESSARY.

WORK AS CONSTRUCTED
THESE DRAWINGS ARE AN ACCURATE REPRESENTATION AS AT 24/04/2023 OF THE WORK-AS-CONSTRUCTED, BUT THE POSITION OF THE WORK RELATIVE TO OTHER STRUCTURES OR BOUNDARIES IS APPROXIMATE ONLY AND HAS NOT BEEN VERIFIED BY PRECISE SURVEY.

COMPANY ADW Johnson Pty Ltd COMPANY
NAME DAVID IAN TURNER NAME
SIGNED _____ DATE 27/04/2023 SIGNED _____ DATE _____
REGISTERED SURVEYOR CONSTRUCTION MANAGER

ORIGIN OF W.A.C. LEVELS
PM 20029 Co-Ord System: MGA Ground
E: 345612.942 MGA Datum: GDA94
N: 6382878.917 MGA Zone: 56
RL: 77.675m

APPROVED FOR CONSTRUCTION
BY ADW Johnson Pty Ltd
Date Approved: 11-07-2022

WORK AS CONSTRUCTED

REV.	DATE	AMENDMENT	DRAWN	CHECK	DESIGN	VERIFY	SCALES
A	16.11.2021	INITIAL ISSUE	G.S.	C.B.	G.S.	C.B.	
B	03.03.2022	CLIENT COMMENTS	G.S.	C.B.	G.S.	C.B.	
C	08.07.2022	ALTOGETHER COMMENTS	G.S.	C.B.	G.S.	C.B.	
0	11.07.2022	ISSUED FOR CONSTRUCTION	G.S.	C.B.	G.S.	C.B.	
1	29.09.2022	ISSUED FOR CONSTRUCTION	G.S.	C.B.	G.S.	C.B.	
2	01.03.2023	ISSUED FOR CONSTRUCTION	G.S.	C.B.	G.S.	C.B.	
3	27.04.2023	WORK AS CONSTRUCTED	G.S.	T.B.	G.S.	D.T.	

DRAWN	CHECK	DESIGN	VERIFY	SCALES
G.S.	C.B.	G.S.	C.B.	
G.S.	C.B.	G.S.	C.B.	
G.S.	C.B.	G.S.	C.B.	
G.S.	C.B.	G.S.	C.B.	
G.S.	C.B.	G.S.	C.B.	
G.S.	T.B.	G.S.	D.T.	

adw Johnson
Hunter Office
Unit 7/335 Hillsborough Rd
Warners Bay N.S.W. 2282
Phone: (02) 4978 5100
Fax: (02) 4978 5199
email: hunter@adwjohnson.com.au
www.adwjohnson.com.au
ABN 62 129 445 398

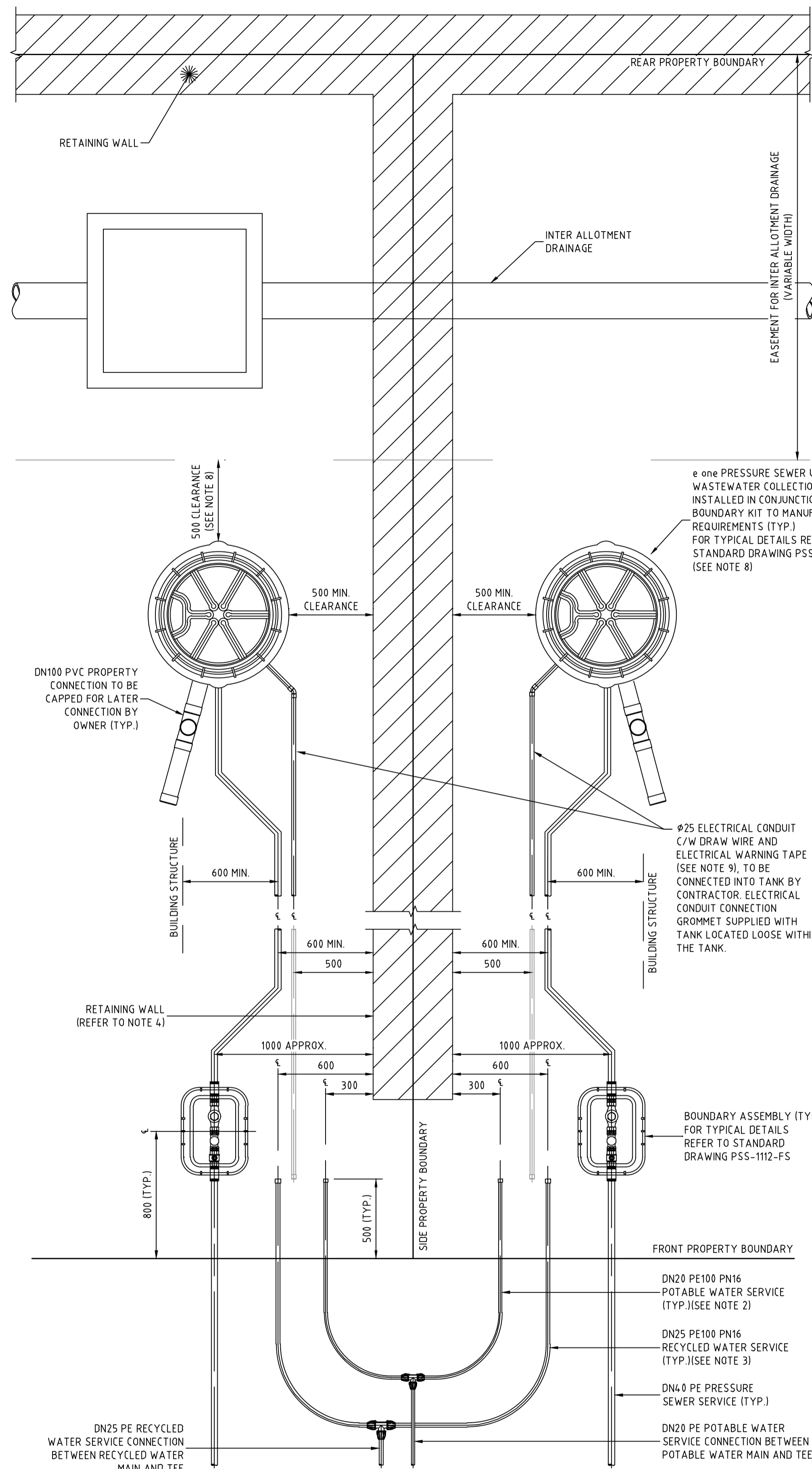
CLIENT
altogether.

PROPERTY DESCRIPTION
PROPOSED SUBDIVISION
STAGE 34
HUNTLEE

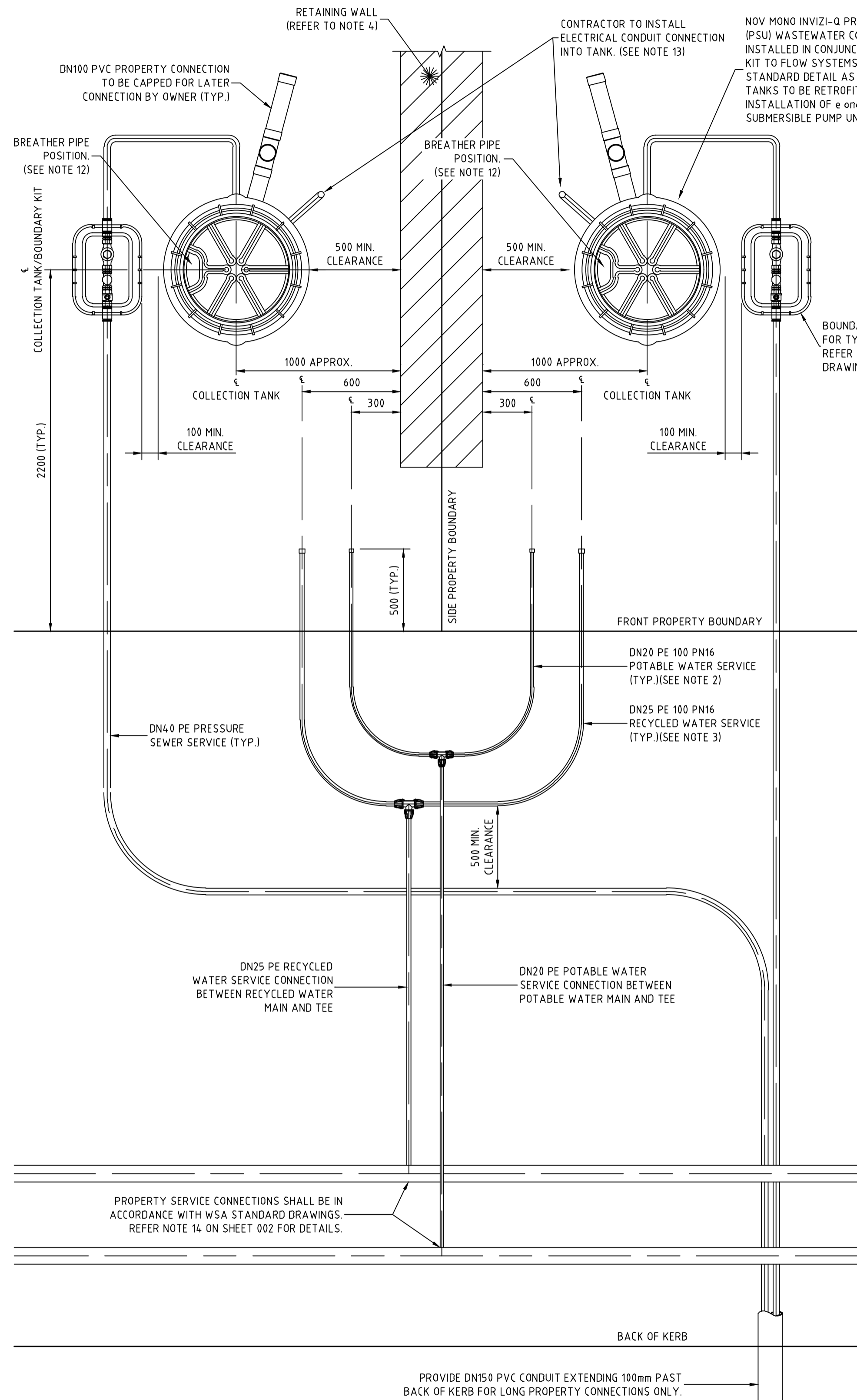
PROJECT	PLAN TITLE
POTABLE WATER, RECYCLED WATER AND PRESSURE SEWER RETICULATION	TYPICAL PIPEWORK TRENCHING DETAIL

240037(34)-WAC-402

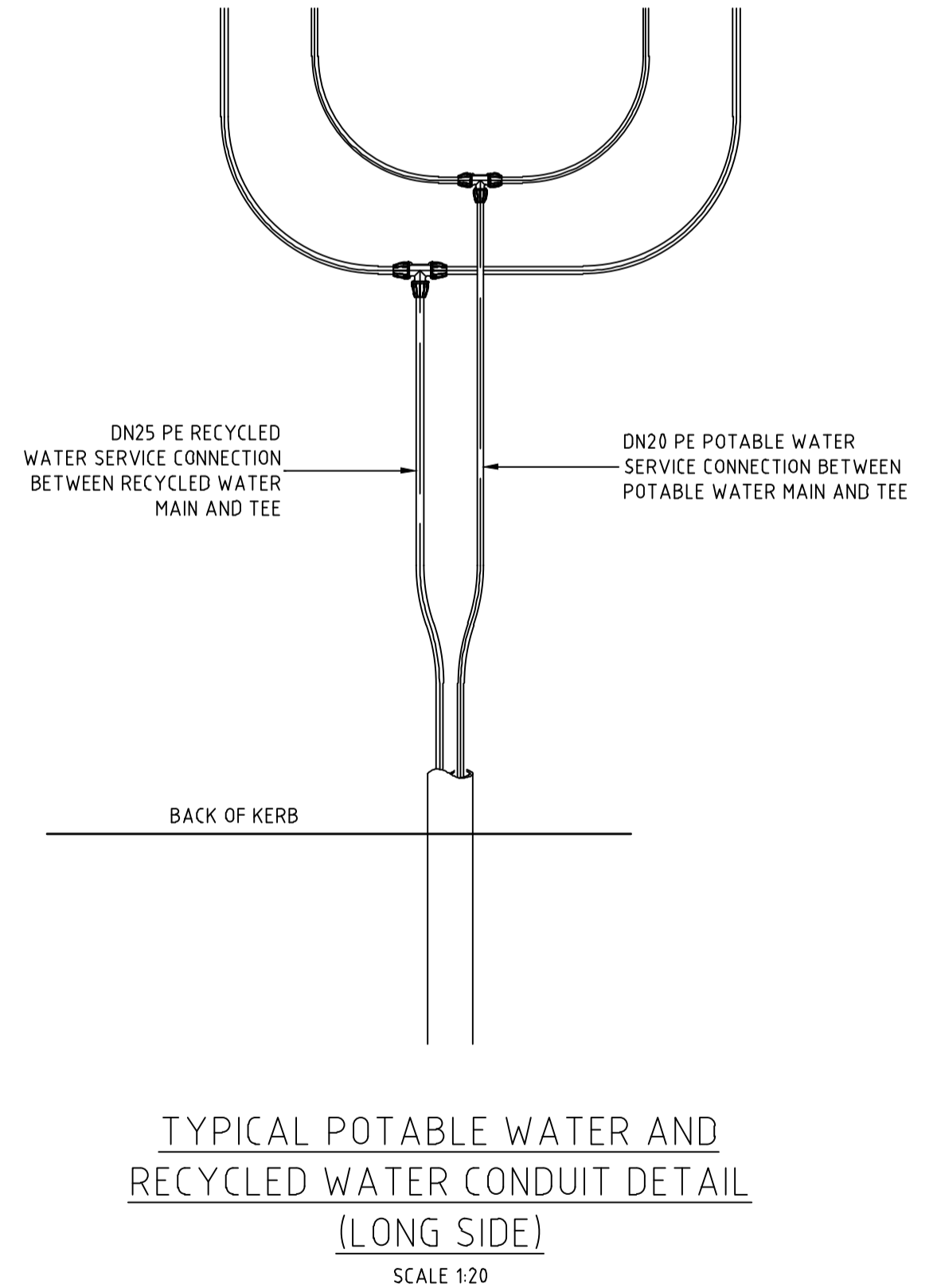
100mm AT FULL SIZE
This plan includes coloured information. If you have a black and white copy you do not have all of the information. This note is coloured red.



TYPICAL PROPERTY CONNECTION DETAIL
(PRESSURE SEWER UNIT AT REAR)
SCALE 1:20



TYPICAL PROPERTY CONNECTION DETAIL
(LONG SIDE)
SCALE 1:20



TYPICAL POTABLE WATER AND
RECYCLED WATER CONDUIT DETAIL
(LONG SIDE)
SCALE 1:20

APPROVED FOR CONSTRUCTION
BY ADW Johnson Pty Ltd
Date Approved: 11-07-2022

ORIGIN OF W.A.C. LEVELS
PM 20029
E: 345612.942
N: 6382878.917
RL: 77.675m
Co-Ord System: MGA Ground
MGA Datum: GDA94
MGA Zone: 56



WORK AS CONSTRUCTED
THESE DRAWINGS ARE AN ACCURATE REPRESENTATION AS AT 24/04/2023 OF THE WORK-AS-CONSTRUCTED, BUT THE POSITION OF THE WORK RELATIVE TO OTHER STRUCTURES OR BOUNDARIES IS APPROXIMATE ONLY AND HAS NOT BEEN VERIFIED BY PRECISE SURVEY.
COMPANY: ADW Johnson Pty Ltd
NAME: DAVID IAN TURNER
SIGNED: [Signature] DATE: 27/04/2023
REGISTERED SURVEYOR

NOTES:

- PROPERTY SERVICE CONNECTIONS SHALL BE IN ACCORDANCE WITH WSA STANDARD DRAWINGS FOR DUAL WATER SUPPLY SYSTEMS (SYDNEY WATER VERSION) (SUPPLEMENT TO WSA 03-2011).
- DN20 PE100 PN16 POTABLE WATER SERVICE TO EXTEND 500mm BEYOND PROPERTY BOUNDARY AND BE CAPPED FOR LATER CONNECTION BY PROPERTY OWNER.
- DN25 PE100 PN16 RECYCLED WATER SERVICE TO EXTEND 500mm BEYOND PROPERTY BOUNDARY AND BE CAPPED FOR LATER CONNECTION BY PROPERTY OWNER.
- FOR PROPERTY CONNECTIONS WHERE A RETAINING WALL IS NOT PRESENT, SERVICES ARE TO BE OFFSET FROM THE PROPERTY BOUNDARY.
- WHERE SERVICE CONNECTIONS ARE LOCATED ADJACENT TO TELSTRA PITS/ELECTRICAL PILLARS, A MINIMUM CLEARANCE OF 200mm BETWEEN PITS AND SERVICE PIPEWORK IS TO BE MAINTAINED.
- MINIMUM BENDING RADIUS FOR PE PIPEWORK IS TO BE 20 x PIPE DIAMETER.
- ALL POLYETHYLENE FITTINGS SHALL BE JOINED USING ELECTROFUSION JOINTING TECHNIQUES IN ACCORDANCE WITH MANUFACTURERS REQUIREMENTS. ROTATE BENDS AS NECESSARY.
- PRESSURE SEWER UNIT (PSU) IS TO HAVE 2150mm CLEARANCE FROM BUILDING STRUCTURES.
- Ø25 ELECTRICAL CONDUIT IS TO EXTEND FROM CONNECTION WITH PRESSURE SEWER UNIT (PSU) TO NOM. 500mm INSIDE FRONT PROPERTY BOUNDARY AND BE CAPPED ELECTRICAL CONDUIT IS TO BE HEAVY DUTY ORANGE INSTALLED IN ACCORDANCE WITH AS3000 AT MIN 500mm COVER. ALL CONDUIT BENDS ARE TO BE LARGE RADIUS SWEEP BENDS.
- FOR MORE INFORMATION REFER TO FLOW SYSTEMS STANDARD DRAWING FSI-1000-FS.
- FOR ALTERNATE TANK AND BOUNDARY CONFIGURATIONS, AND DETAILS FOR TANKS INSTALLED ON PROPERTIES WITH BATTERS AND RETAINING WALLS, REFER TO FLOW SYSTEMS STANDARD DRAWINGS FSI-SK03A-FS AND FSI-SK03B-FS.
- POSITION TANK LID SUCH THAT BREATHER PIPE LOCATION IS ON THE DOWNSLOPE SIDE OF THE BLOCK WHERE POSSIBLE.
- CONTRACTOR TO INSTALL ELECTRICAL CONDUIT CONNECTION IN ACCORDANCE WITH AS3000 AT MIN 500mm COVER. ELECTRICAL GROMMET SUPPLIED WITH TANK AND LOCATED LOOSE WITHIN TANK. Ø25 CONDUIT TO BE PROVIDED WITH LONG RADIUS SWEEP BEND INTO THE VERTICAL POSITION AND LEFT CAPPED ABOVE GROUND LEVEL FOR FUTURE ELECTRICAL CONNECTION BY ELECTRICIAN ONCE DWELLING IS CONSTRUCTED.

REV.	DATE	AMENDMENT	DRAWN	CHECK	DESIGN	VERIFY	SCALES
A	16.11.2021	INITIAL ISSUE	G.S.	C.B.	G.S.	C.B.	
B	03.03.2022	CLIENT COMMENTS	G.S.	C.B.	G.S.	C.B.	
C	08.07.2022	ALTOGETHER COMMENTS	G.S.	C.B.	G.S.	C.B.	
0	11.07.2022	ISSUED FOR CONSTRUCTION	G.S.	C.B.	G.S.	C.B.	
1	29.09.2022	ISSUED FOR CONSTRUCTION	G.S.	C.B.	G.S.	C.B.	
2	01.03.2023	ISSUED FOR CONSTRUCTION	G.S.	C.B.	G.S.	C.B.	
3	27.04.2023	WORK AS CONSTRUCTED	G.S.	T.B.	G.S.	D.T.	

Hunter Office
Unit 7/335 Hillsborough Rd
Warners Bay N.S.W. 2282
Phone: (02) 4978 5100
Fax: (02) 4978 5199
email: hunter@adwjohnson.com.au
www.adwjohnson.com.au
ABN 62 129 445 398



CLIENT
PROPOSED SUBDIVISION
STAGE 34
HUNTLEE

PROPERTY DESCRIPTION	PROJECT	POTABLE WATER, RECYCLED WATER AND PRESSURE SEWER RETICULATION
	PLAN TITLE	TYPICAL PROPERTY CONNECTION DETAILS
SURVEYED Daly, Smith Pty Ltd	DATUM GDA94 M.G.A. ZONE 56	A.H.D.
PROJECT No. 240037(34)	DISCIPLINE WAC	NUMBER 402
		REV. 3

WORK AS CONSTRUCTED

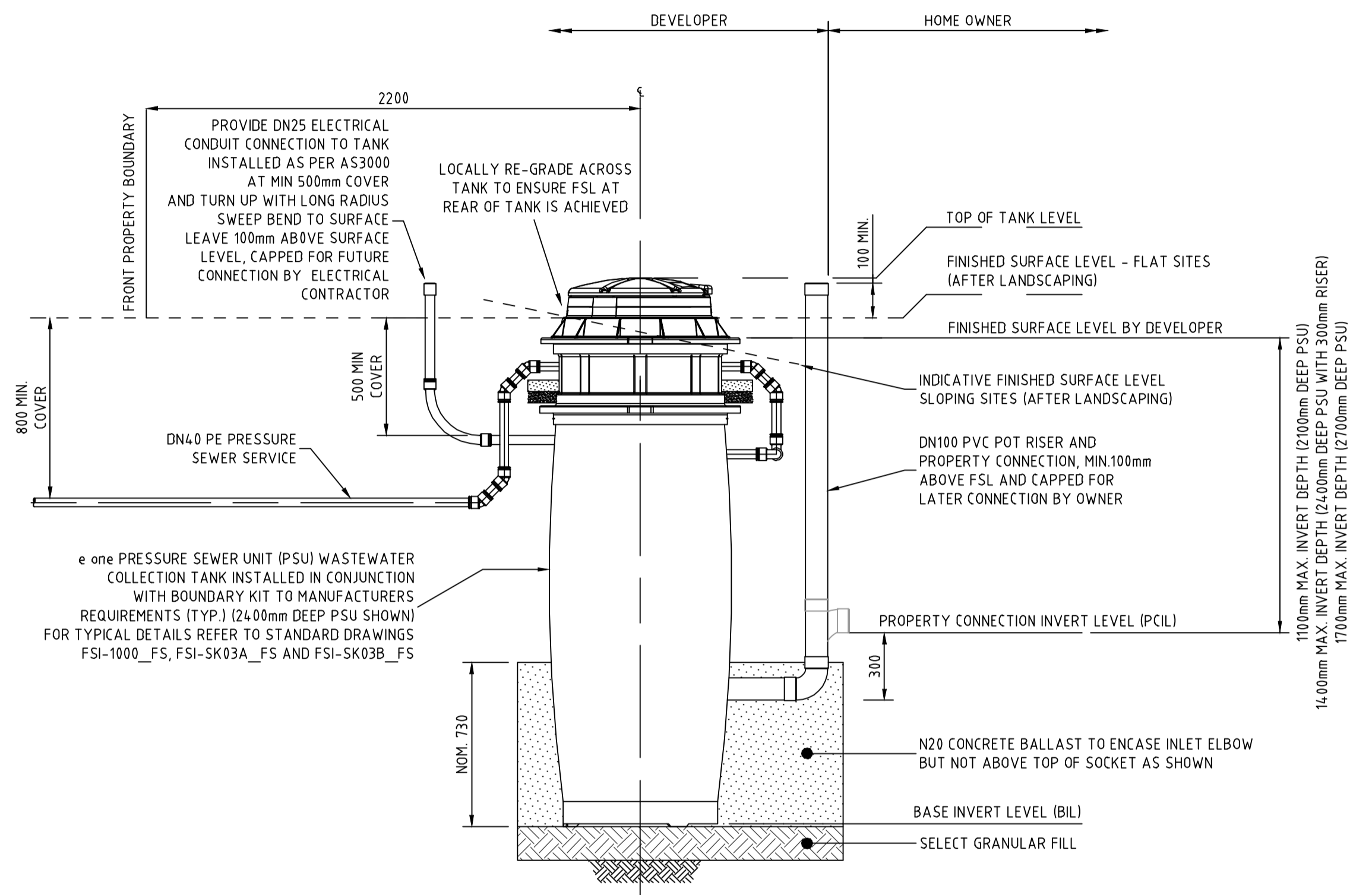
240037(34)-WAC-403

WASTEWATER COLLECTION TANK DETAILS

LOT NUMBER	TOP OF TANK	TANK FSL	BASE IL	CONNECTION IL	TANK HEIGHT	TANK LOCATION	EASTING	NORTHING	TOP OF COLLECTION LID	CALCULATED WAC SANITARY DRAINAGE INVERT LEVEL	WAC V'S DESIGN INVERT LEVEL COMPARISON
34.01	74.17	74.04	72.04	72.94	2100	FRONT	347006.95	6382270.53	74.24	72.93	-0.01
34.02	73.12	72.99	70.99	71.89	2100	FRONT BATTER	347003.04	6382243.85	73.19	71.88	-0.01
34.03	73.17	73.04	71.04	71.94	2100	FRONT BATTER	346954.69	6382250.97	73.30	71.99	0.05
34.04	73.20	73.07	71.07	71.97	2100	FRONT BATTER	346952.71	6382251.26	73.29	71.97	0.00
34.05	73.10	72.97	70.97	71.87	2100	FRONT BATTER	346918.58	6382256.31	73.20	71.88	0.01
34.06	73.09	72.96	70.96	71.86	2100	FRONT BATTER	346916.60	6382256.60	73.22	71.90	0.04
34.07	72.90	72.77	70.77	71.67	2100	FRONT BATTER	346882.97	6382261.57	72.94	71.63	-0.05
34.08	72.88	72.75	70.75	71.65	2100	FRONT BATTER	346880.99	6382261.86	72.91	71.59	-0.06
34.09	71.90	71.77	69.77	70.67	2100	FRONT	346847.54	6382266.81	71.88	70.56	-0.11
34.10	70.28	70.15	68.15	69.05	2100	FRONT BATTER	346819.63	6382289.94	70.36	69.04	-0.01
34.11	70.31	70.18	68.18	69.08	2100	FRONT BATTER	346819.93	6382291.92	70.42	69.11	0.03
34.12	68.65	68.52	66.52	67.42	2100	REAR	346772.54	6382298.92	68.75	67.44	0.02
34.13	68.67	68.54	66.54	67.44	2100	REAR	346771.94	6382296.99	68.74	67.42	-0.02
34.14	67.35	67.22	65.22	66.12	2100	FRONT	346751.20	6382281.05	67.37	66.06	-0.06
34.15	67.03	66.90	64.30	65.20	2700	FRONT BATTER	346733.00	6382283.74	67.12	65.21	0.01
34.16	65.55	65.42	63.42	64.32	2100	REAR	346722.15	6382312.94	65.62	64.31	-0.01
34.17	65.40	65.27	63.27	64.17	2100	FRONT	346687.65	6382304.39	65.47	64.15	-0.02
34.18	65.68	65.55	63.25	64.15	2400	FRONT BATTER	346677.35	6382271.14	65.75	64.14	-0.01
34.19	67.02	66.89	64.89	65.79	2100	FRONT	346703.91	6382267.21	67.10	65.78	-0.01
34.20	67.55	67.42	65.42	66.32	2100	FRONT	346723.70	6382264.29	67.56	66.24	-0.08
34.21	68.00	67.87	65.87	66.77	2100	FRONT	346763.27	6382258.44	68.02	66.71	-0.06
34.22	68.05	67.92	65.92	66.82	2100	FRONT	346765.25	6382258.15	68.00	66.69	-0.13
34.23	68.91	68.78	66.78	67.68	2100	FRONT	346787.01	6382254.93	68.96	67.64	-0.04
34.24	69.80	69.67	67.67	68.57	2400	FRONT	346806.79	6382252.01	69.87	68.25	-0.02
34.25	70.77	70.64	68.64	69.54	2400	FRONT	346826.58	6382249.08	70.79	69.17	-0.07
34.26	71.61	71.48	69.48	70.38	2400	FRONT	346848.34	6382245.87	71.74	70.12	0.04
34.27	71.50	71.37	69.37	70.27	2100	REAR	346862.53	6382191.40	71.50	70.18	-0.09
34.28	71.11	70.98	68.98	69.88	2100	REAR	346902.10	6382185.55	71.14	69.83	-0.05
34.29	71.06	70.93	68.93	69.83	2400	REAR	346904.08	6382185.26	71.09	69.48	-0.05
34.30	70.02	69.89	67.89	68.79	2100	REAR	346941.96	6382181.68	70.06	68.75	-0.05
34.31	70.00	69.87	67.87	68.77	2100	REAR	346943.94	6382181.39	70.05	68.74	-0.03
34.32	69.51	69.38	67.38	68.28	2100	REAR	346963.73	6382178.46	69.53	68.22	-0.06

WASTEWATER COLLECTION TANK COUNT

TANK SIZE	NUMBER OF
2100	26
2400	5
2700	1



PRESSURE SEWER SERVICE CONNECTION
TYPICAL SECTIONAL ELEVATION

SCALE 1:20

WORK AS CONSTRUCTED

THESE DRAWINGS ARE AN ACCURATE REPRESENTATION AS AT 24/04/2023 OF THE WORK-AS-CONSTRUCTED, BUT THE POSITION OF THE WORK RELATIVE TO OTHER STRUCTURES OR BOUNDARIES IS APPROXIMATE ONLY AND HAS NOT BEEN VERIFIED BY PRECISE SURVEY.

COMPANY ADW Johnson Pty Ltd
NAME DAVID IAN TURNER
SIGNED _____ DATE 27/04/2023
REGISTERED SURVEYOR

COMPANY _____
NAME _____
SIGNED _____ DATE _____
CONSTRUCTION MANAGER

ORIGIN OF W.A.C. LEVELS

PM 20029
E: 345612.942
N: 6382878.917
RL: 77.675m

Co-Ord System: MGA Ground
MGA Datum: GDA94
MGA Zone: 56

APPROVED FOR CONSTRUCTION
BY ADW Johnson Pty Ltd

Date Approved: 11-07-2022

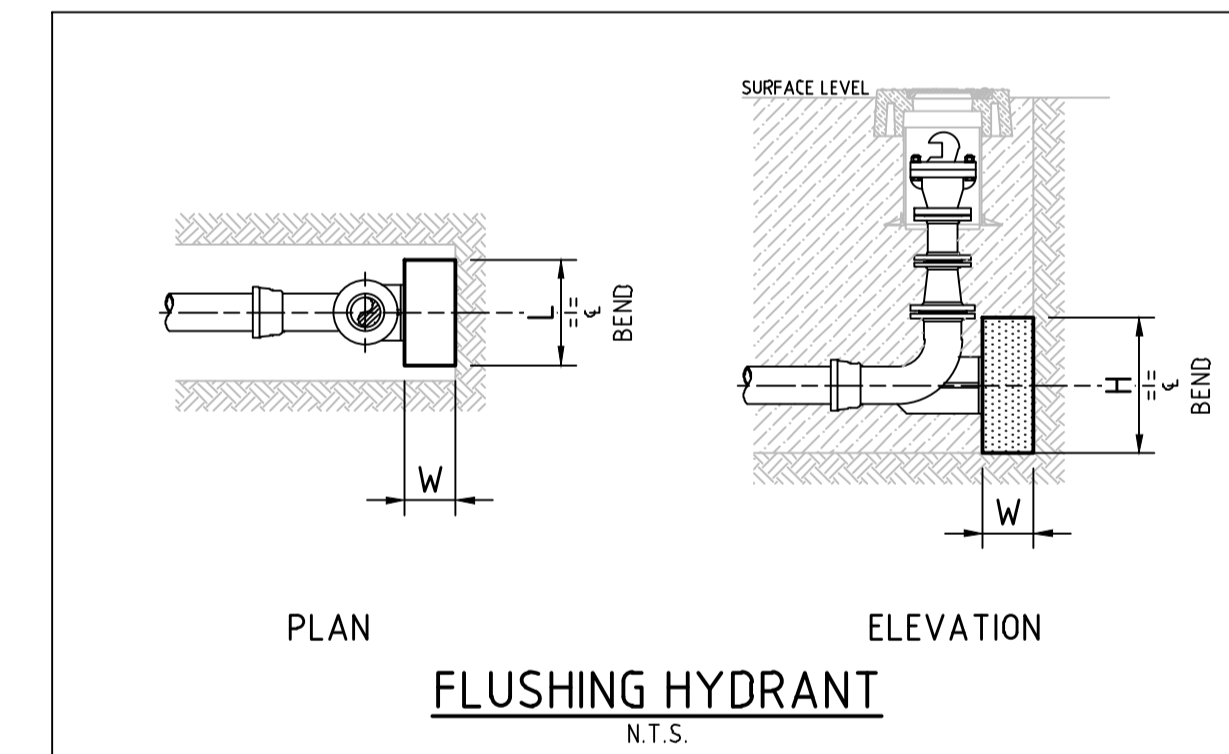
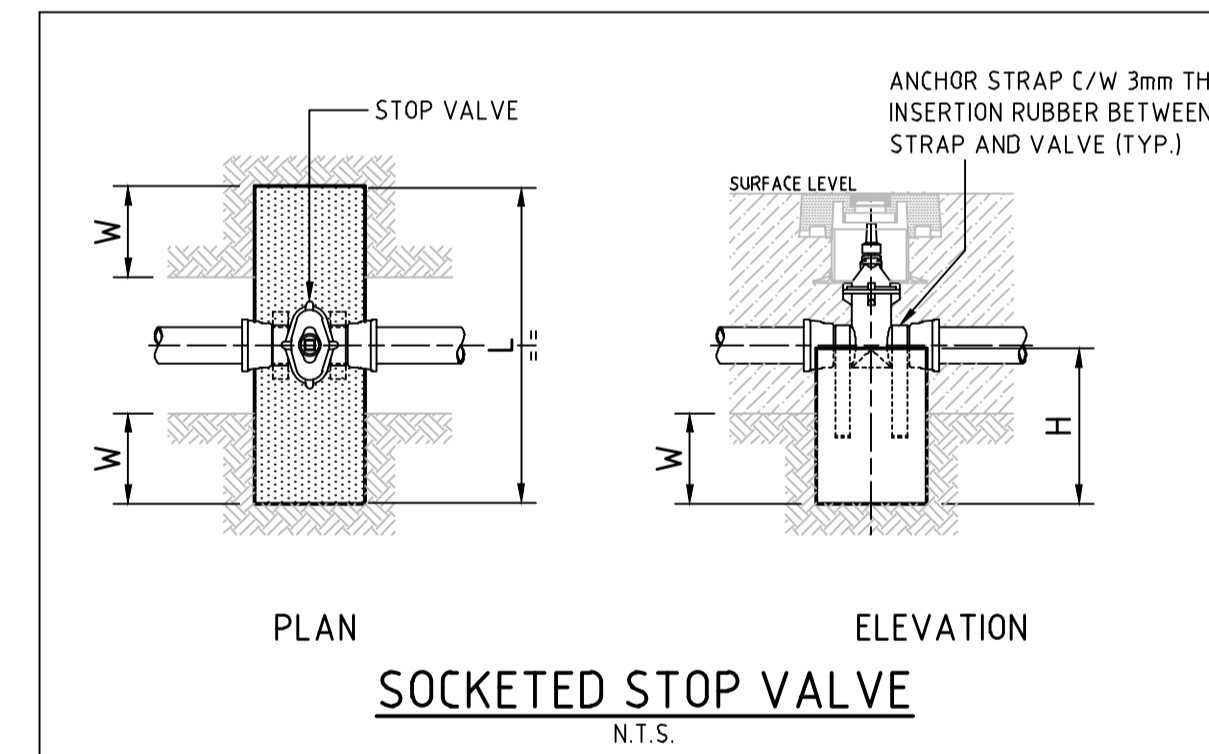
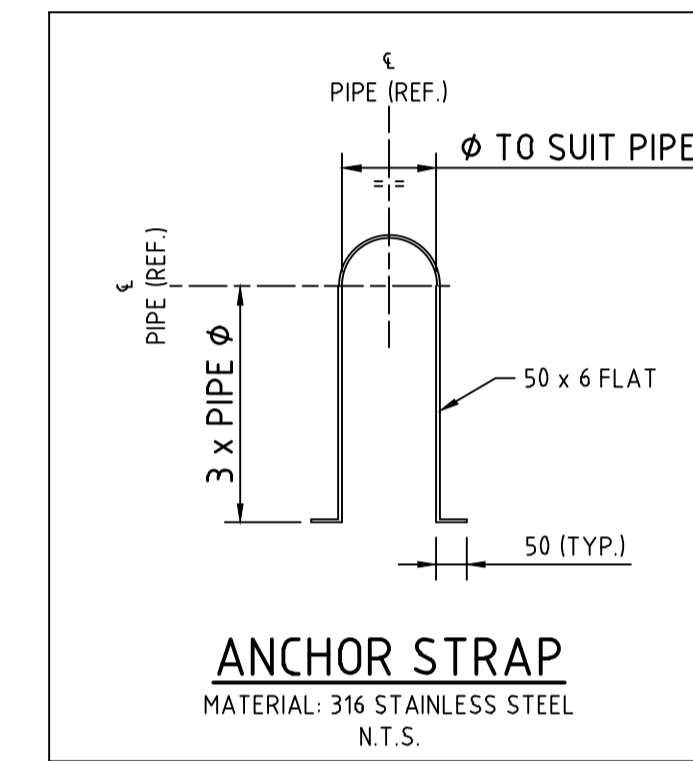
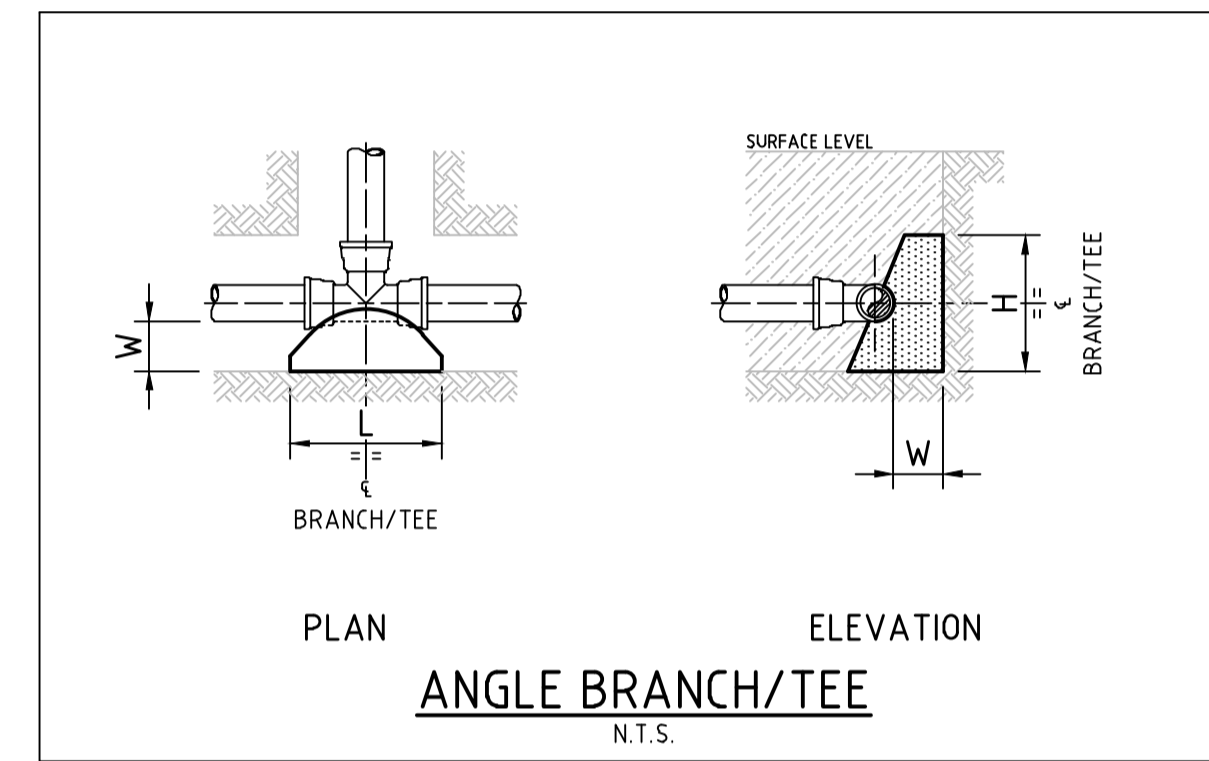
WORK AS CONSTRUCTED

REV.	DATE	AMENDMENT	DRAWN	CHECK	DESIGN	VERIFY	SCALES	CLIENT	PROPERTY DESCRIPTION	PROJECT	PLAN TITLE	PROJECT No.	DISCIPLINE	NUMBER	REV.
A	16.11.2021	INITIAL ISSUE	G.S.	C.B.	G.S.	C.B.		Hunter Office	POTABLE WATER, RECYCLED WATER AND PRESSURE SEWER RETICULATION						
B	03.03.2022	CLIENT COMMENTS	G.S.	C.B.	G.S.	C.B.		Unit 7/335 Hillsborough Rd Warners Bay N.S.W. 2282	PROPOSED SUBDIVISION STAGE 34 HUNTLEE		WASTE WATER COLLECTION TANK LEVEL DETAILS	240037(34)	WAC	403	3
C	08.07.2022	ALTOGETHER COMMENTS	G.S.	C.B.	G.S.	C.B.		Phone: (02) 4978 5100							
0	11.07.2022	ISSUED FOR CONSTRUCTION	G.S.	C.B.	G.S.	C.B.		Fax: (02) 4978 5199							
1	29.09.2022	ISSUED FOR CONSTRUCTION	G.S.	C.B.	G.S.	C.B.		email: hunter@adwjohnson.com.au							
2	01.03.2023	ISSUED FOR CONSTRUCTION	G.S.	C.B.	G.S.	C.B.		www.adwjohnson.com.au							
3	27.04.2023	WORK AS CONSTRUCTED	G.S.	T.B.	G.S.	D.T.		ABN 62 129 445 398							

THRUST BLOCK NOTES:

- "N" DENOTES NOMINAL THRUST AREA TO BE ACHIEVED BY POURING CONCRETE THE FULL LENGTH OF THE FITTING AND EXTENDING FROM THE FLOOR OF THE TRENCH TO NOM. 100mm ABOVE THE FITTING.
- CONCRETE THRUST BLOCKS ARE TO BE PROVIDED FOR ALL FITTINGS IN ACCORDANCE WITH TABLE.
- THRUST BLOCK DIMENSIONS ARE BASED ON THE MINIMUM ALLOWABLE HORIZONTAL BEARING PRESSURES OF THE SOIL AS SHOWN. IF GROUND CONDITIONS ENCOUNTERED INDICATE THAT THESE BEARING PRESSURES MAY NOT BE ACHIEVED, THRUST BLOCK DESIGN IS TO BE REVISED.
- THRUST BLOCKS ARE TO BE CONSTRUCTED SUCH THAT THEY TRANSFER THE THRUST ONTO UNDISTURBED GROUND. THRUST BLOCKS ARE NOT TO INTERFERE WITH OTHER SERVICES.
- FINISH THRUST BLOCKS APPROXIMATELY 100mm ABOVE THE TOP OF THE FITTING OR BEARING PAD AND EXTEND TO THE FLOOR OF THE TRENCH OR DEEPER IF NECESSARY TO ACHIEVE THE REQUIRED THRUST AREA. MAXIMUM ENCASEMENT TO BE 180°.
- CONCRETE FOR THE THRUST BLOCKS TO BE GRADE S25 USING CEMENT TYPE "SR" TO AS3972. CONCRETE TO BE MECHANICALLY VIBRATED.
- CONCRETE THRUST BLOCKS ARE TO BE CURED FOR A MINIMUM OF 7 DAYS BEFORE BEING SUBJECTED TO ANY THRUST LOAD.
- REFER TO WAT-1205-V FOR GENERAL FITTING THRUST BLOCK ARRANGEMENTS.
- REFER TO WAT-1207-V FOR GENERAL VALVE AND VERTICAL BEND THRUST BLOCK ARRANGEMENTS.
- THRUST BLOCK TO EXTEND 300mm MINIMUM INTO BASE AND SIDE WALLS OF TRENCH.
- PROVIDE 3mm THK. INSERTION RUBBER BETWEEN ANCHOR STRAP AND PIPE BARREL.

TYPE	FITTING	SOIL AHP (kPa)	DESIGN STP (kPa)	THRUST	TA (m ²)	LENGTH (L)	HEIGHT (H)	WIDTH (W)
1	DN100 x DN100 EQUAL TEE	100	1500	18.00	0.18	0.45	0.40	0.30
2	DN100 x (45°, 22.5°, 11.25° & 6°) HORIZONTAL BENDS	100	1500	7.50	0.08	N	N	0.30
3	DN100 SOCKETED STOP VALVE	100	1500	18.00	0.18	1.05	0.44	0.30
4	DN100 FLUSHING HYDRANT	100	1500	18.00	0.18	0.45	0.40	0.30
5	DN100 x 90° HORIZONTAL BEND	100	1500	25.50	0.26	0.55	0.47	0.30



WORK AS CONSTRUCTED
THESE DRAWINGS ARE AN ACCURATE REPRESENTATION AS AT 24/04/2023 OF THE WORK-AS-CONSTRUCTED, BUT THE POSITION OF THE WORK RELATIVE TO OTHER STRUCTURES OR BOUNDARIES IS APPROXIMATE ONLY AND HAS NOT BEEN VERIFIED BY PRECISE SURVEY.

COMPANY ADW Johnson Pty Ltd COMPANY
NAME DAVID IAN TURNER NAME
SIGNED DATE 27/04/2023 SIGNED DATE
REGISTERED SURVEYOR CONSTRUCTION MANAGER

ORIGIN OF W.A.C. LEVELS
PM 20029 Co-Ord System: MGA Ground
E: 345612.942 MGA Datum: GDA94
N: 6382878.917 MGA Zone: 56
RL: 77.675m

APPROVED FOR CONSTRUCTION
BY ADW Johnson Pty Ltd
Date Approved: 11-07-2022

WORK AS CONSTRUCTED

REV.	DATE	AMENDMENT	DRAWN	CHECK	DESIGN	VERIFY	SCALES	CLIENT	PROPERTY DESCRIPTION	PROJECT	PLAN TITLE	PROJECT No.	DISCIPLINE	NUMBER	REV.
A	16.11.2021	INITIAL ISSUE	G.S.	C.B.	G.S.	C.B.		Hunter Office	PROPOSED SUBDIVISION	POTABLE WATER, RECYCLED WATER AND PRESSURE SEWER RETICULATION	THRUST BLOCK DETAILS	240037(34)	WAC	404	3
B	03.03.2022	CLIENT COMMENTS	G.S.	C.B.	G.S.	C.B.		Unit 7/335 Hillsborough Rd Warners Bay N.S.W. 2282	STAGE 34 HUNTLEE						
C	08.07.2022	ALTOGETHER COMMENTS	G.S.	C.B.	G.S.	C.B.		Phone: (02) 4978 5100							
O	11.07.2022	ISSUED FOR CONSTRUCTION	G.S.	C.B.	G.S.	C.B.		Fax: (02) 4978 5199							
1	29.09.2022	ISSUED FOR CONSTRUCTION	G.S.	C.B.	G.S.	C.B.		email: hunter@adwjohanson.com.au							
2	01.03.2023	ISSUED FOR CONSTRUCTION	G.S.	C.B.	G.S.	C.B.		www.adwjohanson.com.au							
3	27.04.2023	WORK AS CONSTRUCTED	G.S.	T.B.	G.S.	D.T.		ABN 62 129 445 398							



240037(34)-WAC-405

100mm AT FULL SIZE
This plan includes coloured information. If you have a black and white copy, you do not have all of the information. This note is coloured RED.

Point Table				
Point #	Eastings	Northings	Levels	Codes
1	346699.35	6382283.07	66.60	waHYD
2	346790.50	6382269.60	68.79	waHYD
3	346818.50	6382265.50	70.02	waHYD
4	346802.57	6382276.48	69.24	waHYD
5	346900.15	6382253.27	72.19	waHYD
6	346999.27	6382238.74	72.75	waHYD
7	347000.90	6382238.58	72.76	waHYD
8	347000.07	6382238.63	72.73	waSV
9	346901.72	6382252.97	72.18	waSV
10	346819.30	6382265.39	70.08	waSV
11	346791.34	6382269.56	68.80	waSV
12	346802.40	6382275.38	69.23	waSV
13	347009.18	6382270.80	74.01	waTAP
14	347005.00	6382245.03	72.98	waTAP
15	346800.93	6382292.79	69.48	waTAP
16	346801.13	6382293.74	69.52	waTAP
17	346818.67	6382291.50	69.94	waTAP
18	346818.49	6382290.98	69.88	waTAP
19	346848.04	6382265.38	71.40	waTAP
20	346881.39	6382260.23	72.43	waTAP
21	346881.90	6382260.09	72.46	waTAP
22	346917.07	6382254.83	72.63	waTAP
23	346917.56	6382254.71	72.60	waTAP
24	346953.79	6382250.04	72.92	waTAP
25	346953.20	6382250.08	72.94	waTAP
26	346910.82	6382238.13	72.44	waTAP
27	346911.50	6382238.04	72.42	waTAP
28	346950.31	6382232.62	72.49	waTAP
29	346950.88	6382232.53	72.48	waTAP
30	346970.61	6382229.50	72.54	waTAP
31	346869.75	6382244.46	72.10	waTAP
32	346847.90	6382247.66	71.49	waTAP
33	346826.16	6382251.08	70.55	waTAP
34	346806.56	6382253.87	69.64	waTAP
35	346786.75	6382256.61	68.76	waTAP
36	346764.79	6382259.89	67.87	waTAP
37	346764.21	6382260.02	67.87	waTAP
38	346723.22	6382266.08	67.34	waTAP
39	346703.77	6382268.78	66.85	waTAP
40	346675.37	6382272.88	65.56	waTAP

Point Table				
Point #	Eastings	Northings	Levels	Codes
41	346685.85	6382305.35	65.20	waTAP
42	346717.38	6382284.50	67.01	waTAP
43	346732.12	6382282.68	67.17	waTAP
44	346750.49	6382279.84	67.28	waTAP
45	347000.81	6382239.15	72.76	waHYDR
46	346999.29	6382239.26	72.74	waHYDR
47	346801.99	6382276.86	69.24	waHYDR
48	346818.79	6382266.06	70.03	waHYDR
49	346902.02	6382253.60	72.21	waHYDR
50	346699.57	6382283.58	66.62	waHYDR
51	346790.56	6382270.08	68.77	waHYDR
52	347000.04	6382239.15	72.73	waSVR
53	346802.02	6382275.99	69.23	waSVR
54	346819.88	6382265.95	70.10	waSVR
55	346903.08	6382253.44	72.19	waSVR
56	346791.38	6382269.88	68.79	waSVR
57	346847.76	6382265.40	71.39	waTAPR
58	347009.21	6382271.02	74.02	waTAPR
59	347004.96	6382244.75	72.94	waTAPR
60	346970.82	6382229.51	72.55	waTAPR
61	346951.17	6382232.46	72.49	waTAPR
62	346950.03	6382232.68	72.50	waTAPR
63	346952.91	6382250.09	72.91	waTAPR
64	346800.92	6382292.58	69.52	waTAPR
65	346954.00	6382250.01	72.93	waTAPR
66	346910.57	6382238.17	72.45	waTAPR
67	346911.88	6382237.99	72.42	waTAPR
68	346916.79	6382254.90	72.65	waTAPR
69	346917.80	6382254.62	72.61	waTAPR
70	346881.16	6382260.32	72.45	waTAPR
71	346882.21	6382260.03	72.47	waTAPR
72	346870.04	6382244.39	72.07	waTAPR
73	346848.14	6382247.57	71.49	waTAPR
74	346826.49	6382250.99	70.54	waTAPR
75	346818.42	6382290.71	69.84	waTAPR
76	346818.72	6382291.89	69.91	waTAPR
77	346801.10	6382293.97	69.52	waTAPR
78	346806.78	6382253.85	69.63	waTAPR
79	346786.99	6382256.58	68.74	waTAPR
80	346763.92	6382260.08	67.84	waTAPR

Point Table				
Point #	Eastings	Northings	Levels	Codes
81	346765.05	6382259.87	67.89	waTAPR
82	346750.80	6382279.74	67.27	waTAPR
83	346732.39	6382282.68	67.11	waTAPR
84	346723.47	6382266.04	67.34	waTAPR
85	346717.66	6382284.43	67.01	waTAPR
86	346704.05	6382268.71	66.86	waTAPR
87	346675.69	6382272.85	65.59	waTAPR
88	346685.87	6382305.05	65.21	waTAPR
89	347013.26	6382285.98	74.75	seSV
90	346819.44	6382267.10	70.10	seSV
91	346800.82	6382276.72	69.21	seSV
92	346800.86	6382278.63	69.29	seFP
93	346800.22	6382274.87	69.21	seFP
94	347007.45	6382271.09	74.19	seBDYKIT
95	347003.14	6382244.69	73.15	seBDYKIT
96	346911.13	6382229.14	72.68	seBDYKIT
97	346949.73	6382232.45	72.64	seBDYKIT
98	346951.47	6382232.15	72.64	seBDYKIT
99	346955.47	6382250.96	73.31	seBDYKIT
100	346951.96	6382251.56	73.30	seBDYKIT
101	346919.39	6382256.03	73.18	seBDYKIT
102	346915.78	6382256.50	73.21	seBDYKIT
103	346912.07	6382237.44	72.55	seBDYKIT
104	346910.16	6382237.66	72.53	seBDYKIT
105	346870.62	6382243.77	72.21	seBDYKIT
106	346848.96	6382246.00	71.71	seBDYKIT
107	346848.12	6382266.68	71.83	seBDYKIT
108	346800.14	6382261.74	72.91	seBDYKIT
109	346883.63	6382261.31	72.94	seBDYKIT
110	346687.40	6382303.97	65.48	seBDYKIT
111	346717.96	6382284.54	67.15	seBDYKIT
112	346676.58	6382271.44	65.72	seBDYKIT
113	346704.85	6382267.33	67.08	seBDYKIT
114	346724.46	6382264.51	67.48	seBDYKIT
115	346733.73	6382283.55	67.09	seBDYKIT
116	346827.24	6382249.34	70.83	seBDYKIT
117	346807.56	6382252.36	69.90	seBDYKIT
118	346787.77	6382254.98	68.95	seBDYKIT
119	346765.98	6382258.24	67.94	seBDYKIT
120	346762.54	6382258.85	67.97	seBDYKIT

Point Table				
Point #	Eastings	Northings	Levels	Codes
121	346752.30	6382280.75	67.32	seBDYKIT
122	346819.44	6382289.18	70.32	seBDYKIT
123	346820.04	6382292.81	70.39	seBDYKIT
124	346800.54	6382292.42	69.55	seBDYKIT
125	346800.78	6382294.33	69.58	seBDYKIT
126	347007.21	6382270.35	74.24	seTANK3401
127	347003.44	6382244.05	73.19	seTANK3402
128	346954.63	6382251.18	73.30	seTANK3403
129	346952.74	6382251.48	73.29	seTANK3404
130	346918.69	6382256.11	73.20	seTANK3405
131	346916.50	6382256.43	73.22	seTANK3406
132	346882.93	6382261.43	72.94	seTANK3407
133	346880.94	6382261.65	72.91	seTANK3408
134	346847.37	6382266.81	71.88	seTANK3409
135	346819.58	6382289.99	70.36	seTANK3410
136	346819.95	6382292.00	70.42	seTANK3411
137	346772.95	6382298.94	68.75	seTANK3412
138	346772.64	6382296.94	68.74	seTANK3413
139	346751.56	6382280.80	67.37	seTANK3414
140	346732.97	6382283.68	67.12	seTANK3415
141	346722.20	6382313.29	65.62	seTANK3416
142	346687.34	6382304.61	65.47	seTANK3417
143	346675.87	6382271.59	65.75	seTANK3418
144	346704.18	6382267.40	67.10	seTANK3419
145	346723.71	6382264.62	67.56	seTANK3420
146	346763.31	6382258.75	68.02	seTANK3421
147	346765.27	6382258.29	68.00	seTANK3422
148	346787.06	6382255.06	68.96	seTANK3423
149	346806.85	6382252.32	69.86	seTANK3424
150	346826.48	6382249.32	70.79	seTANK3425
151	346848.31	6382246.06	71.74	seTANK3426
152	346862.97	6382193.06	71.50	seTANK3427
153	346902.23	6382187.11	71.14	seTANK3428
154	346904.52	6382186.86	71.09	seTANK3429
155	346942.17	6382183.38	70.06	seTANK3430
156	346944.27	6382183.17	70.05	seTANK3431
157	346964.06	6382179.96	69.53	seTANK3432

WORK AS CONSTRUCTED

THESE DRAWINGS ARE AN ACCURATE REPRESENTATION AS AT 24/04/2023 OF THE WORK-AS-CONSTRUCTED, BUT THE POSITION OF THE WORK RELATIVE TO OTHER STRUCTURES OR BOUNDARIES IS APPROXIMATE ONLY AND HAS NOT BEEN VERIFIED BY PRECISE SURVEY.

COMPANY	ADW Johnson Pty Ltd	COMPANY	
NAME	DAVID IAN TURNER	NAME	
SIGNED		DATE	27/04/2023
	REGISTERED SURVEYOR	SIGNED	
		DATE/...../.....
			CONSTRUCTION MANAGER

ORIGIN OF W.A.C. LEVELS

PM	20029	Co-Ord System:	MGA Ground
E:	345612.942		MGA Datum: GDA94
N:	6382878.917		MGA Zone: 56
RL:	77.675m		

APPROVED FOR CONSTRUCTION
BY ADW Johnson Pty Ltd
Date Approved: 11-07-2022

WORK AS CONSTRUCTED

REV.	DATE	AMENDMENT	DRAWN	CHECK	DESIGN	VERIFY	SCALES	CLIENT	PROPERTY DESCRIPTION	PROJECT	PLAN TITLE	PROJECT No.	DISCIPLINE	NUMBER	REV.
A	16.11.2021	INITIAL ISSUE	G.S.	C.B.	G.S.	C.B.		 Hunter Office Unit 7/335 Hillsborough Rd Warners Bay N.S.W. 2282 Phone: (02) 4978 5100 Fax: (02) 4978 5199 email: hunter@adwjohnson.com.au www.adwjohnson.com.au ABN 62 129 445 398	PROPOSED SUBDIVISION STAGE 34 HUNTLLEE	POTABLE WATER, RECYCLED WATER AND PRESSURE SEWER RETICULATION	FITTINGS TABLE	240037(34)	WAC	405	3
B	03.03.2022	CLIENT COMMENTS	G.S.	C.B.	G.S.	C.B.									
C	08.07.2022	ALTOGETHER COMMENTS	G.S.	C.B.	G.S.	C.B.									
0	11.07.2022	ISSUED FOR CONSTRUCTION	G.S.	C.B.	G.S.	C.B.									
1	29.09.2022	ISSUED FOR CONSTRUCTION	G.S.	C.B.	G.S.	C.B.									
2	01.03.2023	ISSUED FOR CONSTRUCTION	G.S.	C.B.	G.S.	C.B.									
3	27.04.2023	WORK AS CONSTRUCTED	G.S.	T.B.	G.S.	D.T.									