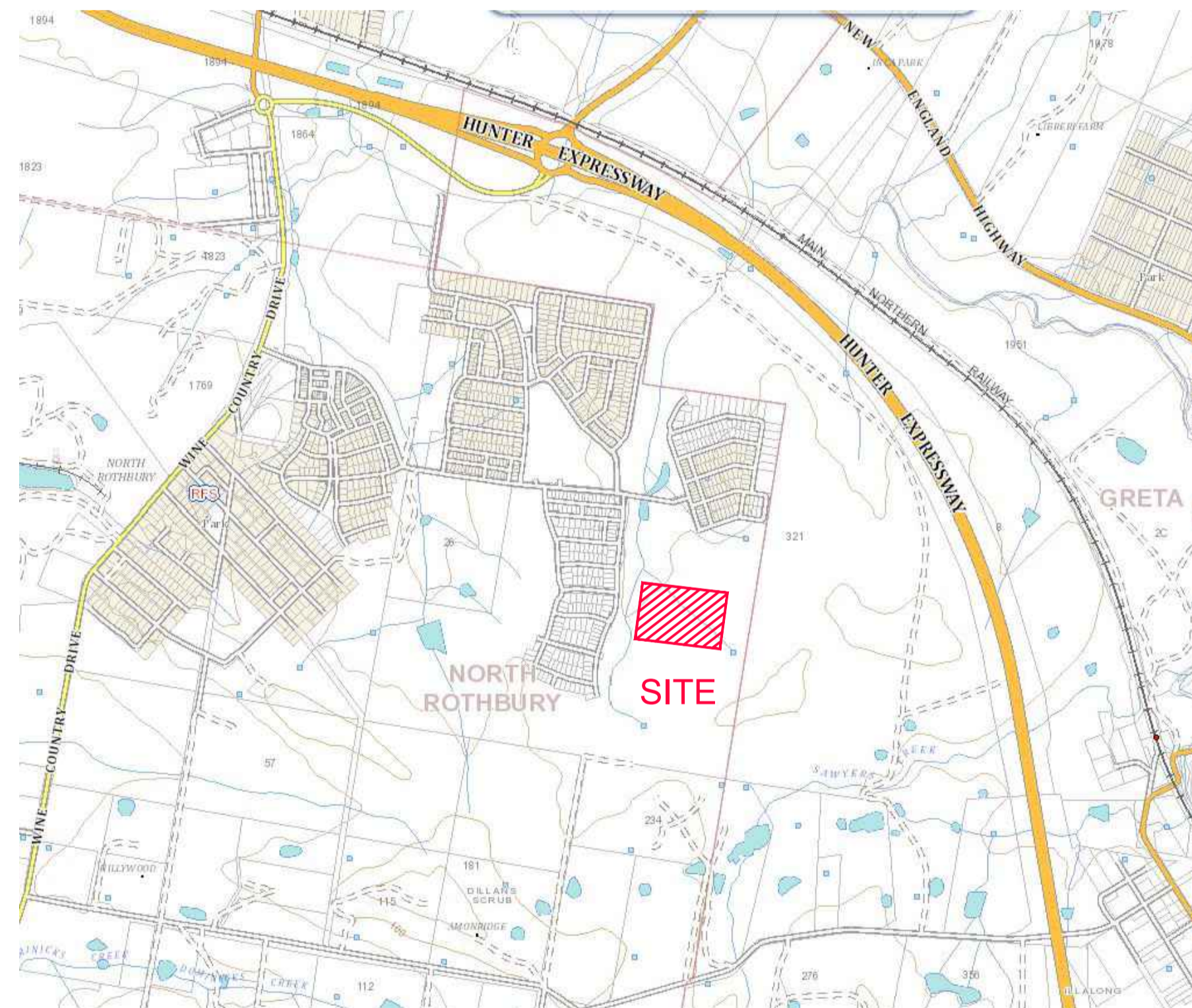




PROPOSED SUBDIVISION STAGE 29 HUNTLEE



LOCALITY SKETCH
NOT TO SCALE

| DRAWING INDEX | |
|--------------------|--|
| Sheet Title | Sheet Description |
| 240037(29)-WAT-001 | COVER SHEET, LOCALITY PLAN & DRAWING INDEX |
| 240037(29)-WAT-002 | GENERAL NOTES |
| 240037(29)-WAT-003 | OVERALL SITE PLAN |
| 240037(29)-WAT-101 | POTABLE WATER DETAIL PLAN - SHEET 1 |
| 240037(29)-WAT-102 | POTABLE WATER DETAIL PLAN - SHEET 2 |
| 240037(29)-WAT-103 | POTABLE WATER DETAIL PLAN - SHEET 3 |
| 240037(29)-WAT-104 | POTABLE WATER DETAIL PLAN - SHEET 4 |
| 240037(29)-WAT-201 | RECYCLED WATER DETAIL PLAN - SHEET 1 |
| 240037(29)-WAT-202 | RECYCLED WATER DETAIL PLAN - SHEET 2 |
| 240037(29)-WAT-203 | RECYCLED WATER DETAIL PLAN - SHEET 3 |
| 240037(29)-WAT-204 | RECYCLED WATER DETAIL PLAN - SHEET 4 |
| 240037(29)-WAT-301 | PRESSURE SEWER DETAIL PLAN - SHEET 1 |
| 240037(29)-WAT-302 | PRESSURE SEWER DETAIL PLAN - SHEET 2 |
| 240037(29)-WAT-303 | PRESSURE SEWER DETAIL PLAN - SHEET 3 |
| 240037(29)-WAT-304 | PRESSURE SEWER DETAIL PLAN - SHEET 4 |
| 240037(29)-WAT-401 | TYPICAL PIPEWORK TRENCHING DETAILS |
| 240037(29)-WAT-402 | TYPICAL SERVICE CONNECTION DETAILS |
| 240037(29)-WAT-403 | WASTE WATER COLLECTION TANK LEVEL DETAILS |
| 240037(29)-WAT-404 | THRUST BLOCK DETAILS |
| 240037(29)-WAC-405 | FITTINGS TABLE |

WORK AS CONSTRUCTED
 THESE DRAWINGS ARE AN ACCURATE REPRESENTATION AS AT 24/11/2022 OF THE WORK-AS-CONSTRUCTED, BUT THE POSITION OF THE WORK RELATIVE TO OTHER STRUCTURES OR BOUNDARIES IS APPROXIMATE ONLY AND HAS NOT BEEN VERIFIED BY PRECISE SURVEY.
 COMPANY ADW Johnson Pty Ltd COMPANY
 NAME MATHEW DAVID LONDON NAME
 SIGNED *mathew* DATE 07/12/2022 SIGNED DATE
 REGISTERED SURVEYOR CONSTRUCTION MANAGER

ORIGIN OF W.A.C. LEVELS
 PM 20029 Co-Ord System: MGA Ground
 E: 345 612 942 MGA Datum: GDA94
 N: 6 382 878 917 MGA Zone: 56
 RL: 17.675m

**APPROVED FOR CONSTRUCTION
BY ADW Johnson Pty Ltd**
 Date Approved: 20/12/2021

WORK AS CONSTRUCTED

100mm AT FULL SIZE

| REV. | DATE | AMENDMENT | DRAWN | CHECK | DESIGN | VERIFY | SCALES |
|------|------------|---------------------|-------|-------|--------|--------|--------|
| A | 13.10.2021 | PRELIMINARY ISSUE | G.S. | C.B. | G.S. | C.B. | |
| B | 22.11.2021 | ALTOGETHER COMMENTS | G.S. | C.B. | G.S. | C.B. | |
| 0 | 20.12.2021 | FOR CONSTRUCTION | G.S. | C.B. | G.S. | C.B. | |
| 1 | 03.06.2022 | FOR CONSTRUCTION | G.S. | C.B. | G.S. | C.B. | |
| 2 | 20.09.2022 | FOR CONSTRUCTION | G.S. | C.B. | G.S. | C.B. | |
| 3 | 13.12.2022 | WORK AS CONSTRUCTED | G.S. | S.S. | G.S. | M.L.O. | |

adw Johnson
 Hunter Office
 Unit 7/335 Hillsborough Rd
 Warners Bay N.S.W. 2282
 Phone: (02) 4978 5100
 Fax: (02) 4978 5199
 email: hunter@adwjohnson.com.au
 www.adwjohnson.com.au
 ABN 62 129 445 398

CLIENT

PROPERTY DESCRIPTION
 PROPOSED SUBDIVISION
 STAGE 29
 HUNTLEE

PROJECT POTABLE WATER, RECYCLED WATER AND PRESSURE SEWER RETICULATION
 PLAN TITLE COVER SHEET, LOCALITY PLAN & DRAWING INDEX
 PROJECT No. 240037(29) DISCIPLINE - WAC - NUMBER 001 REV. 3

240037(29)-WAC-001 to 003

PRESSURE SEWER NOTES:

- 1. ALL WORKS SHALL BE CONSTRUCTED IN ACCORDANCE WITH THE DESIGN DRAWINGS, ALTOGETHER SUPPLEMENTARY MANUAL TO WSA, PRESSURE SEWERAGE CODE OF AUSTRALIA - WSA 07-2007 VERSION 1.1 AND POLYETHYLENE PIPELINE CODE WSA 01-2004.
2. ALL EQUIPMENT, MATERIALS AND ACCESSORIES USED IN THIS CONTRACT SHALL BE NEW AND SHALL COMPLY WITH ALTOGETHER REQUIREMENTS.
3. ALL SERVICES SHOWN ARE INDICATIVE ONLY. A CURRENT SERVICES SEARCH AND SITE CHECK OF ALL EXISTING SERVICES WILL BE REQUIRED PRIOR TO COMMENCEMENT OF ANY WORKS.
4. PRESSURE SEWER MAINS SHALL BE BLACK POLYETHYLENE (PE100 PN16) WITH A CREAM STRIPE AS PER WSA 02-2007 AND ALTOGETHER SUPPLEMENTARY MANUAL TO WSA.
5. ALL POLYETHYLENE MAINS <= DN200 SHALL BE JOINED USING ELECTROFUSION JOINTING TECHNIQUES IN ACCORDANCE WITH MANUFACTURERS REQUIREMENTS.
6. MAIN TO BE LAID GENERALLY AS INDICATED IN SERVICE ALLOCATION DIAGRAMS. INSTRUCTION NOTES SHALL TAKE PRECEDENCE OVER DIAGRAMS WHERE PROVIDED.
7. MAINS CROSSING UNDER EXISTING DRIVEWAYS (SEALED, PAVED OR DECORATIVE) SHALL BE CONDUCTED BY UNDER BORING ONLY UNLESS PERMISSION IS GRANTED BY THE AFFECTED PROPERTY OWNER.
8. MAINS WITHIN 2.0m OF ELECTRICITY OR POWER POLES SHALL BE CONDUCTED BY BORING TECHNOLOGY (UNLESS AGREED TO BY THE ALTOGETHER REPRESENTATIVE).
9. ALL PIPE BEDDING MATERIAL SHALL COMPLY WITH WSA PRODUCT SPECIFICATION WSA-PS350 AND WSA-PS351.
10. ALL BENDS SHALL BE ELECTROFUSION OR BUTT WELD SWEEP BENDS. FABRICATED BENDS SHALL NOT BE USED IN LIEU. KNUCKLE ELBOWS ARE NOT PERMITTED.
11. MINIMUM BENDING RADIUS FOR PN16 PE100 (SDR11) SHALL BE 20 x DN. (i.e. DN400 : R8.0m, DN250 : R5.0m, DN200 : R4.0m, DN160 : R3.2m, DN125 : R2.5m, DN90 : R1.8m, DN75 : R1.5m, DN63 : R1.3m, DN50 : R1.0m, DN40 : R0.8m).
12. ALL HOUSE SERVICE LATERALS SHALL BE DN40 (PE100 PN16).
13. FLUSHING PITS SHALL CONFORM WITH ALTOGETHER STANDARD DRAWINGS. REFER TO ALTOGETHER WEBSITE FOR CURRENT VERSION.
14. LOCALISED DEEPENING OF MAINS MAY BE REQUIRED TO FACILITATE AIR VALVE INSTALLATION. THE CONTRACTOR SHALL ENSURE THAT THE AIR VALVE OFFTAKE IS LOCATED AT A HIGH POINT (NATURAL OR ARTIFICIAL) IN THE MAIN (i.e. MAIN SHALL GRADE DOWNWARDS EITHER SIDE OF THE AIR VALVE).
15. DETECTABLE MARKING TAPE SHALL BE LAID ON TOP OF THE PIPE EMBEDMENT MATERIAL BEFORE BACKFILLING AND CONNECTED TO SURFACE FITTINGS.
16. ALL SURFACE FITTINGS LOCATED IN TRAFFICABLE AREAS (i.e. ROADWAYS, PATHS etc.) SHALL HAVE HEAVY DUTY SURROUNDS INSTALLED.
17. DURING CONSTRUCTION, ALL OPEN ENDS OF PIPE SHALL BE CAPPED OFF TO PREVENT ENTRY OF FOREIGN MATTER.
18. ALL VALVES SHALL BE RESILIENT SEATED SLUICE VALVES (ANTI-CLOCKWISE CLOSING), SHALL BE RESTRAINED IN ACCORDANCE WITH WAT-1207 AND SHALL COMPLY WITH ALTOGETHER STANDARD DRAWING PSS-1015-FS.
19. ALL MAINS SHALL BE TESTED IN ACCORDANCE WITH WSA 07-2007 VERSION 1.1.
20. FOR LOTS WITH TANKS IN THE REAR. 1 x 25mm INSTRUMENTATION CONDUIT (ORANGE) AND 1 x 25mm ELECTRICAL CONDUIT (ORANGE)(WITH DRAW WIRES) SHALL BE INSTALLED FROM THE COLLECTION TANK TO WATER METERS. THE CONDUITS SHALL BE LAID IN A COMMON TRENCH WITH THE SEWERAGE AND MAINTAIN A MINIMUM HORIZONTAL CLEARANCE OF 400mm. (REFER TO ALTOGETHER STANDARD DRAWINGS FOR SETOUT DIMENSIONS).
21. THE CONSTRUCTOR SHALL PROVIDE HUNTLEE WATER WITH MINIMUM OF 7 DAYS NOTICE IN WRITING OF INTENT TO CONNECT NEW MAINS TO EXISTING INFRASTRUCTURE. CONNECTIONS ARE NOT PERMITTED UNTIL COMPLIANT TEST RESULTS HAVE BEEN PROVIDED AND CONFIRMATION IS PROVIDED BY THE ALTOGETHER REPRESENTATIVE.
22. UPON COMPLETION OF WORKS, ALL SURFACES MUST BE RESTORED AS CLOSE AS POSSIBLE, TO THE CONDITION HAT EXISTED PRIOR TO COMMENCEMENT OF WORKS.
23. PERMISSION OF ENTRY MUST BE OBTAINED BY THE CONTRACTOR FROM THE OWNER/OCCUPIER PRIOR TO COMMENCEMENT OF WORK IN PRIVATE PROPERTY.
24. BURIED FITTINGS ARE NOT TO BE BACKFILLED UNTIL W.A.C. DETAILS HAVE BEEN OBTAINED AND APPROVAL FOR BACKFILLING GIVEN BY THE ALTOGETHER REPRESENTATIVE. THE CONTRACTOR SHALL PROVIDE M.G.A. COORDINATED WORK-AS-CONSTRUCTED INFORMATION REGARDING THE INSTALLATION OF ALL BURIED FITTINGS.
25. THE MINIMUM NUMBER OF COMPACTION TESTS REQUIRED TO SATISFY THE PRESSURE SEWER CODE OF AUSTRALIA (CLAUSE 213.4) ARE:
26. BOUNDARY KITS (COMPLETE) SHALL BE NOV SUPPLIED (NOV PSS-BK4).
27. ALL MAINS (UP TO THE BOUNDARY KIT) SHALL BE PRESSURE TESTED TO 1600 kPa.
28. ALL MAINS SHALL BE FLUSHED WITH WATER TO REMOVE ANY DEBRIS PRIOR TO COMMISSIONING.
29. SURFACE IDENTIFICATION MARKERS ARE TO BE PROVIDED TO ALTOGETHER REQUIREMENTS.
30. ROPE OFF ALL PRESSURE SEWER UNITS AND FLUSHING POINTS TO LIMIT DAMAGE DURING CONSTRUCTION.
31. PRESSURE TRANSMITTER TO BE MEASUREX MRB21 GENERAL PURPOSE TRANSMITTER WITH MICROSPIDER LOGGING TELEMETRY AND ALARM PER ALTOGETHER REQUIREMENTS.
32. WORK-AS-CONSTRUCTED DOCUMENTATION SHALL BE PROVIDED BY THE CONTRACTOR STRICTLY IN ACCORDANCE WITH THE ALTOGETHER Q.A. SUBMISSION CHECKLIST.
33. ELECTRICAL GLAND CONNECTION SUPPLIED LOOSE WITH EACH SEWER POT IS TO BE INSTALLED BY THE CIVIL CONTRACTOR AND ELECTRICAL CONDUIT ATTACHED TO THE TANK FOR FUTURE ELECTRICAL WIRING.

POTABLE WATER AND RECYCLED WATER NOTES:

- 1. ALL WORKS SHALL BE CONSTRUCTED IN ACCORDANCE WITH THE DESIGN DRAWINGS, ALTOGETHER SUPPLEMENTARY MANUAL TO WSA AND WSA 03-2011-3.1 (SYDNEY WATER EDITION 2014).
2. POTABLE WATER SHALL BE UTILISED FOR FIRE FIGHTING PURPOSES.
3. ALL EQUIPMENT, MATERIALS AND ACCESSORIES USED IN THIS CONTRACT SHALL BE NEW, SHALL CONFORM TO THE APPROPRIATE CURRENT AUSTRALIAN STANDARDS AND SHALL COMPLY WITH ALTOGETHER REQUIREMENTS.
4. ALL SERVICES SHOWN ARE INDICATIVE ONLY. A CURRENT SERVICES SEARCH AND SITE CHECK OF ALL EXISTING SERVICES WILL BE REQUIRED PRIOR TO COMMENCEMENT OF ANY WORKS.
5. THE CONSTRUCTOR SHALL VERIFY WITH THE SITE SUPERVISOR THE POSITION AND LEVEL OF ALL EXISTING AND PROPOSED BOUNDARIES PERTINENT TO THE INFRASTRUCTURE INSTALLATIONS.
6. MAIN TO BE LAID GENERALLY AS INDICATED IN SERVICE ALLOCATION DIAGRAMS. INSTRUCTION NOTES SHALL TAKE PRECEDENCE OVER DIAGRAMS WHERE PROVIDED.
7. ALL POTABLE WATER MAINS TO BE BLUE PVC-M (PN16). ALL RECYCLED WATER MAINS SHALL BE LILAC PVC-M (PN16). DIFFERENTIATION OF POTABLE AND RECYCLED WATER SYSTEMS SHALL BE AS PER TABLE 4.1 WSA03-2011 WITH BOTH SERVICES BEING CLASSIFIED AS WATER MAINS. RECYCLED WATER MAINS SHALL ALWAYS BE LOWER THAN POTABLE WATER MAINS. 150mm VERTICAL CLEARANCE BETWEEN POTABLE WATER AND RECYCLED WATER MAINS SHALL BE PROVIDED.
8. MAXIMUM JOINT DEFLECTIONS TO BE IN ACCORDANCE WITH MANUFACTURERS RECOMMENDATIONS.
9. LOCALLY LOWER PIPEWORK IN VICINITY OF STOP VALVES TO ENSURE SUFFICIENT COVER IS MAINTAINED OVER VALVES. LOWERING OF PIPEWORK SHALL BE ACHIEVED OVER A NUMBER OF PIPE LENGTHS EITHER SIDE OF VALVES TO ELIMINATE ANY SHARP DEFLECTIONS.
10. ALL PIPE BEDDING MATERIAL SHALL COMPLY WITH WSA PRODUCT SPECIFICATION PS-350, 368 AND 369. GEOTECHNICAL CONDITIONS SHOULD BE ASSESSED DURING CONSTRUCTION BY THE CONTRACTOR IN ASSOCIATION WITH THE ALTOGETHER REPRESENTATIVE TO DETERMINE THE NEED TO MODIFY EMBEDMENT/TRENCHFILL TYPE AND THE NEED FOR TRENCH DRAINAGE/BULKHEADS.
11. DURING CONSTRUCTION, ALL OPEN ENDS OF PIPES SHALL BE CAPPED OFF TO PREVENT ENTRY OF FOREIGN MATTER.
12. HYDRANTS, STOP VALVES AND ALL OTHER FITTINGS TO BE THE SAME SIZE AS THE THROUGH WATER MAIN AND ANTI CLOCKWISE CLOSING.
13. HYDRANTS MUST NOT BE INSTALLED IN POTENTIAL DRIVEWAY LOCATIONS. HYDRANTS AND WATER SERVICES SHALL BE NOMINALLY AT LEAST 5.0m FROM EACH BOUNDARY OR ON BOUNDARIES. WHERE POSSIBLE, FITTINGS SHALL BE LOCATED BEHIND KERB INLET PITS.
14. THRUST BLOCKS SHALL BE INSTALLED IN ACCORDANCE WITH WAT-1205.
15. ALL PROPERTY (MAIN TO METER) SERVICE CONNECTIONS SHALL BE CONSTRUCTED STRICTLY IN ACCORDANCE WITH ALTOGETHER REQUIREMENTS. REFER TO ALTOGETHER WEBSITE FOR CURRENT VERSION.
16. PROPERTY SERVICE CONNECTION IS SHALL BE FLUSHED AND LOCKED (BY THE ALTOGETHER REPRESENTATIVE) FOLLOWING SUCCESSFUL PRESSURE TESTING.
17. SURFACE FITTINGS LOCATED IN TRAFFICABLE AREAS (i.e. ROADWAYS, PATHS etc. SHALL HAVE HEAVY DUTY SURROUNDS INSTALLED.
18. ALL MAINS SHALL BE PRESSURE TESTED TO 1500kPa IN ACCORDANCE WITH CLAUSE 19.4 OF WSA03-2011 (SYDNEY WATER EDITION 2014).
19. ALL MAINS SHALL BE FLUSHED WITH WATER TO REMOVE ANY DEBRIS PRIOR TO COMMISSIONING.
20. WATER QUALITY TESTING SHALL BE IN ACCORDANCE WITH WSA 03-2011-3.1(SYDNEY WATER EDITION-2014, CLAUSE 19.7).
21. THE CONSTRUCTOR SHALL PROVIDE HUNTLEE WATER WITH MINIMUM OF 7 DAYS NOTICE IN WRITING OF INTENT TO CONNECT NEW MAINS TO EXISTING INFRASTRUCTURE. CONNECTIONS ARE NOT PERMITTED UNTIL COMPLIANT TEST RESULTS HAVE BEEN PROVIDED AND CONFIRMATION IS PROVIDED BY THE ALTOGETHER REPRESENTATIVE.
22. UPON COMPLETION OF WORKS, ALL SURFACES MUST BE RESTORED AS CLOSE AS POSSIBLE, TO THE CONDITION HAT EXISTED PRIOR TO COMMENCEMENT OF WORKS.
23. PERMISSION OF ENTRY MUST BE OBTAINED BY THE CONTRACTOR FROM THE OWNER/OCCUPIER PRIOR TO COMMENCEMENT OF WORK IN PRIVATE PROPERTY.
24. BURIED FITTINGS ARE NOT TO BE BACKFILLED UNTIL W.A.C. DETAILS HAVE BEEN OBTAINED AND APPROVAL FOR BACKFILLING GIVEN BY THE ALTOGETHER REPRESENTATIVE. THE CONTRACTOR SHALL PROVIDE M.G.A. COORDINATED WORK-AS-CONSTRUCTED INFORMATION REGARDING THE INSTALLATION OF ALL BURIED FITTINGS.
25. MINIMUM NUMBER OF COMPACTION TESTS REQUIRED TO SATISFY WSA03-2011 (SYDNEY WATER EDITION 2014) (CLAUSE 19.3.5) :
26. SURFACE IDENTIFICATION MARKERS ARE TO BE PROVIDED TO ALTOGETHER REQUIREMENTS.
27. PRESSURE TRANSMITTER TO BE MEASUREX MRB21 GENERAL PURPOSE TRANSMITTER WITH MICROSPIDER LOGGING TELEMETRY AND ALARM PER ALTOGETHER REQUIREMENTS.
28. WORK-AS-CONSTRUCTED DOCUMENTATION SHALL BE PROVIDED BY THE CONTRACTOR STRICTLY IN ACCORDANCE WITH THE ALTOGETHER Q.A. SUBMISSION CHECKLIST.
29. WHERE THE PIPE GRADE EXCEEDS 5% , TRENCHSTOPS SHALL BE CONSTRUCTED IN ACCORDANCE WITH WAT-1209 AND WAT-1210 AT THE SPACING OF 100/M GRADE%. WHERE PIPE GRADES EXCEED 15%, CONCRETE BULKHEADS WILL BE CONSTRUCTED AT SPACING AS PER TABLE 7.5 OF WSA03-2001 SYDNEY WATER EDITION 2014.
ALTOGETHER STANDARD DRAWINGS CAN BE FOUND AT THE FOLLOWING ADDRESS:
https://askus.altogethergroup.com.au/hc/en-us/articles/900004827263-Standard-drawings-for-land-developers-

GENERAL NOTES:

- 1. THIS DRAWING SET SHALL BE READ IN CONJUNCTION WITH CESSNOCK CITY COUNCIL STANDARDS, ALTOGETHER SUPPLEMENTARY MANUAL TO WSA AND OTHER ASSOCIATED DRAWINGS AND TECHNICAL SPECIFICATIONS.
2. THE CONTRACTOR SHALL LOCATE AND IDENTIFY ALL UNDERGROUND SERVICES PRIOR TO COMMENCEMENT OF WORK AND SHALL REPAIR ANY DAMAGE CAUSED TO SUCH SERVICES DURING THE COURSE OF WORKS. ANY SERVICE LOCATIONS SHOWN IN THIS DRAWING SET ARE INDICATIVE ONLY.
3. MAKE SMOOTH TRANSITION TO EXISTING WORKS (i.e. ROAD PAVEMENT AND FOOTPATHS) TO P.C.A. AND SUPERINTENDENT'S REQUIREMENTS.
4. SUITABLE PROTECTION TO EXISTING ROAD PAVEMENT, KERB AND GUTTER, FOOTPATHS AND ANY EXISTING FEATURES SHALL BE PROVIDED UNTIL THE CONSTRUCTION WORKS ARE COMPLETED.

CLEARANCES BETWEEN PIPELINES AND UNDERGROUND SERVICES

Table with 4 columns: UTILITY (EXISTING OR PROPOSED SERVICE), MINIMUM HORIZONTAL CLEARANCE (mm), MINIMUM VERTICAL CLEARANCE (mm), and sub-columns for NEW MAIN SIZE (≤ DN200, ≥ DN200). Rows include WATER MAINS, GAS MAINS, TELECOMMUNICATION CONDUITS, ELECTRICITY CONDUITS, STORMWATER DRAINS, SEWERS, and KERBS.

NOTES:

- 1. VERTICAL CLEARANCES APPLY WHERE PIPELINES CROSS OTHER UTILITY SERVICES, EXCEPT IN THE CASE OF WATER/SEWER MAINS WHEN A VERTICAL SEPARATION SHALL ALWAYS BE MAINTAINED, EVEN WHEN THE PRESSURE SEWER AND WATER MAIN ARE PARALLEL. THE PRESSURE SEWER SHOULD ALWAYS BE LOCATED BELOW THE WATER MAIN TO MINIMISE THE POSSIBILITY OF BACKFLOW CONTAMINATION IN THE EVENT OF A PRESSURE MAIN BREAK.
2. WATER MAINS INCLUDES MAINS SUPPLYING BOTH POTABLE AND RECYCLED WATER.
3. FOR AREAS WITH EXISTING WATER RETICULATION, CLEARANCES CAN BE FURTHER REDUCED TO 600mm WITH THE APPROVAL OF THE WATER AUTHORITY.
4. CLEARANCES CAN BE FURTHER REDUCED TO 150mm FOR DISTANCES UP TO 2.0m WHEN PASSING INSTALLATIONS SUCH AS POLES, PITS, AND SMALL STRUCTURES, PROVIDING THE STRUCTURE IS NOT DE-STABILISED IN THE PROCESS.
5. CLEARANCES FROM KERBS SHALL BE MEASURED FROM THE NEAREST POINT OF THE KERB. FOR WATER/SEWER - DN 375, CLEARANCES FROM KERBS CAN BE PROGRESSIVELY REDUCED UNTIL THE MINIMUM OF 150mm IS REACHED FOR WATER/SEWER - DN200.
6. WHERE A PARALLEL SEWER IS AT MINIMUM VERTICAL CLEARANCE LOWER THAN THE WATER MAIN (500mm), MAINTAIN A MINIMUM HORIZONTAL OF 1000mm. THIS MINIMUM CLEARANCE CAN BE PROGRESSIVELY REDUCED TO 600mm AS THE VERTICAL CLEARANCE IS INCREASED TO 750mm.
7. FOR PRESSURE SEWER LATERALS, MINIMUM VERTICAL CLEARANCES MAY BE REDUCED TO 150mm PROVIDING THERE IS NO JOINT IN THE LATERAL WITHIN 500mm OF EITHER SIDE OF THE SERVICE BEING CROSSED.
8. AN ADDITIONAL CLEARANCE FROM HIGH VOLTAGE ELECTRICAL INSTALLATIONS SHOULD BE MAINTAINED ABOVE THE CONDUITS OR CABLES TO ALLOW FOR A PROTECTIVE BARRIER AND MARKING TO BE PROVIDED.
9. WATER MAINS SHOULD ALWAYS CROSS OVER SEWERS AND STORMWATER DRAINS. FOR CASES WHERE THERE IS NO ALTERNATIVE AND THE MAIN MUST CROSS UNDER THE SEWER, THE DESIGN SHALL NOMINATE AN APPROPRIATE PROTECTION TREATMENT (JOINT-FREE IN THE VICINITY OF THE SEWER).

SHOULD THE RECOMMENDED CLEARANCES NOT BE ACHIEVED, NOTIFICATION SHALL BE CONVEYED TO THE ALTOGETHER REPRESENTATIVE IN WRITING.

WORK AS CONSTRUCTED stamp. THESE DRAWINGS ARE AN ACCURATE REPRESENTATION AS AT 24/11/2022 OF THE WORK-AS-CONSTRUCTED, BUT THE POSITION OF THE WORK RELATIVE TO OTHER STRUCTURES OR BOUNDARIES IS APPROXIMATE ONLY AND HAS NOT BEEN VERIFIED BY PRECISE SURVEY. Includes fields for COMPANY, NAME, SIGNED, DATE, and REGISTERED SURVEYOR/CONSTRUCTION MANAGER.



ORIGIN OF W.A.C. LEVELS stamp. Includes fields for PH, E, N, RL, Co-Ord System, MGA Datum, and MGA Zone.

APPROVED FOR CONSTRUCTION BY ADW Johnson Pty Ltd stamp. Includes Date Approved: 20/12/2021.

WORK AS CONSTRUCTED

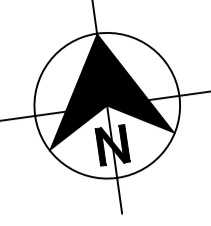
Revision table with columns: REV., DATE, AMENDMENT, DRAWN, CHECK, DESIGN, VERIFY, SCALES. Row 3 is highlighted in red with '13.12.2022 WORK AS CONSTRUCTED'.

adw Johnson logo and Hunter Office contact information: Unit 7/335 Hillsborough Rd, Warners Bay N.S.W. 2282. Phone: (02) 4978 5100. Fax: (02) 4978 5199. Email: hunter@adwjohnson.com.au, www.adwjohnson.com.au. ABN 62 129 445 398.

altogether. logo.

PROPERTY DESCRIPTION: PROPOSED SUBDIVISION STAGE 29 HUNTLEE. SURVEYED: Daly.Smith Pty Ltd. DATUM: GDA94 MGA56 - A.H.D.

PROJECT: POTABLE WATER, RECYCLED WATER AND PRESSURE SEWER RETICULATION. PLAN TITLE: GENERAL NOTES. PROJECT No: 240037(29). DISCIPLINE: WAC. NUMBER: 002. REV: 3.



WORK AS CONSTRUCTED
 THESE DRAWINGS ARE AN ACCURATE REPRESENTATION AS AT 24/11/2022 OF THE WORK-AS-CONSTRUCTED, BUT THE POSITION OF THE WORK RELATIVE TO OTHER STRUCTURES OR BOUNDARIES IS APPROXIMATE ONLY AND HAS NOT BEEN VERIFIED BY PRECISE SURVEY.
 COMPANY ADW Johnson Pty Ltd COMPANY
 NAME MATHEW DAVID LONDON NAME
 SIGNED *mathew* DATE 07/12/2022 SIGNED DATE
 REGISTERED SURVEYOR CONSTRUCTION MANAGER

ORIGIN OF W.A.C. LEVELS
 PM 20029 Co-Ord System: MGA Ground
 E: 345 612 942 MGA Datum: GDA94
 N: 6 382 878.917 MGA Zone: 56
 RL: 77.675m

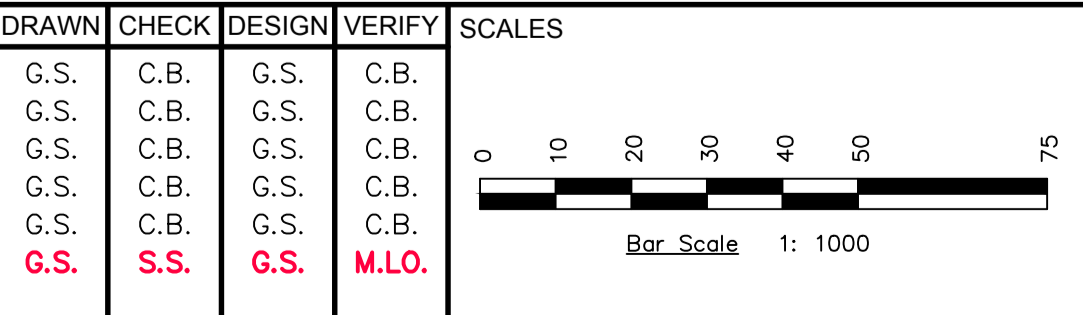
**APPROVED FOR CONSTRUCTION
 BY ADW Johnson Pty Ltd**
 Date Approved: 20/12/2021

WORK AS CONSTRUCTED

PLAN
 SCALE 1:1000

100mm AT FULL SIZE

| REV. | DATE | AMENDMENT | DRAWN | CHECK | DESIGN | VERIFY |
|------|------------|---------------------|-------|-------|--------|--------|
| A | 13.10.2021 | PRELIMINARY ISSUE | G.S. | C.B. | G.S. | C.B. |
| B | 22.11.2021 | ALTOGETHER COMMENTS | G.S. | C.B. | G.S. | C.B. |
| 0 | 20.12.2021 | FOR CONSTRUCTION | G.S. | C.B. | G.S. | C.B. |
| 1 | 03.06.2022 | FOR CONSTRUCTION | G.S. | C.B. | G.S. | C.B. |
| 2 | 20.09.2022 | FOR CONSTRUCTION | G.S. | C.B. | G.S. | C.B. |
| 3 | 13.12.2022 | WORK AS CONSTRUCTED | G.S. | S.S. | G.S. | M.L.O. |



adw Johnson
 Hunter Office
 Unit 7/335 Hillsborough Rd
 Warners Bay N.S.W. 2282
 Phone: (02) 4978 5100
 Fax: (02) 4978 5199
 email: hunter@adwjohnson.com.au
 www.adwjohnson.com.au
 ABN 62 129 445 398

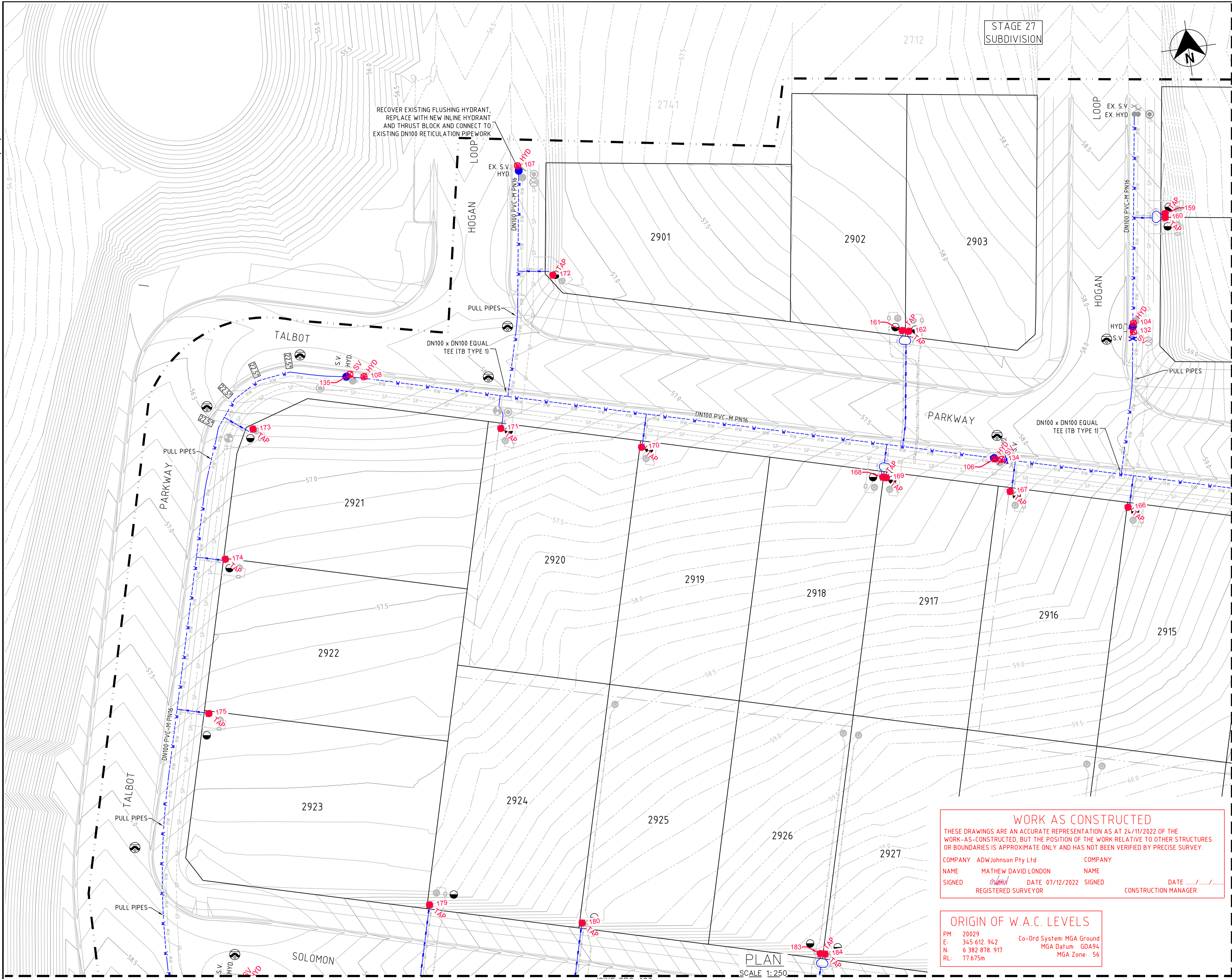
CLIENT

PROPERTY DESCRIPTION
 PROPOSED SUBDIVISION
 STAGE 29
 HUNTLÉE
 SURVEYED
 Daly.Smith Pty Ltd
 DATUM
 GDA94 MGA56 - A.H.D.

| | | | |
|-------------|---|--------|------|
| PROJECT | POTABLE WATER, RECYCLED WATER AND PRESSURE SEWER RETICULATION | | |
| PLAN TITLE | OVERALL SITE PLAN | | |
| PROJECT No. | DISCIPLINE | NUMBER | REV. |
| 240037(29) | - WAC - | 003 | 3 |

240037(29)-WAC-004 to 007

100mm AT FULL SIZE



LEGEND

- W - PVC-M POTABLE WATER RETICULATION
- PWS - POTABLE WATER PROPERTY SERVICE
- RW - PVC-M RECYCLED WATER RETICULATION
- RWS - RECYCLED WATER PROPERTY SERVICE
- SP - PE PRESSURE SEWER RETICULATION
- PS S - PE PRESSURE SEWER PROPERTY SERVICE
- EX PW - EXISTING POTABLE WATER RETICULATION
- EX RW - EXISTING RECYCLED WATER RETICULATION
- EX PS - EXISTING PRESSURE SEWER RETICULATION
- SW - STORMWATER PIPEWORK
- STOP VALVE
- HYDRANT
- FLUSHING HYDRANT
- PROPERTY SERVICE CONNECTION
- LAY WATER MAIN OVER STORMWATER PIPE (300mm MIN. VERTICAL CLEARANCE) - REFER TO WAT-1255-H
- PROPOSED EASEMENT
- SUBDIVISION STAGE BOUNDARY

- POTABLE WATER PROPERTY SERVICE CONNECTIONS
- TOTAL 42 CONNECTIONS
- SINGLE SERVICES IN ACCORDANCE WITH WAT-1106-V
 - 20 x SHORT SIDE
 - 4 x LONG SIDE
- SPLIT SERVICES IN ACCORDANCE WITH WAT-1107-V
 - 5 x SHORT SIDE
 - 4 x LONG SIDE

| POTABLE WATER PIPE DATA | | |
|-------------------------|---------------|------------------|
| PIPE SIZE (mm) | PIPE MATERIAL | TOTAL LENGTH (m) |
| DN150 | PVC-M PN16 | 130 |
| DN100 | PVC-M PN16 | 612 |
| DN20 (LATERAL) | PE100 PN16 | 236 |

- NOTES:**
- LOCALLY PULL PIPES TO AVOID ANY POTENTIAL CLASH WITH STORMWATER PIT.
 - FOR RECYCLED WATER PIPEWORK DETAIL PLANS REFER TO DRGS-201 TO 204.
 - FOR PRESSURE SEWER PIPEWORK DETAIL PLANS REFER TO DRGS-301 TO 304.
 - FOR TYPICAL SERVICE CONNECTION DETAILS REFER TO DRG-402.
 - IF WORKS ARE BEING CONSTRUCTED CONCURRENTLY WITH AN ADJACENT STAGE, DO NOT INSTALL STOP VALVE /FLUSHING HYDRANT UNLESS CONFIRMATION IS GIVEN FROM ALTOGETHER REPRESENTATIVE.

WORK AS CONSTRUCTED

THESE DRAWINGS ARE AN ACCURATE REPRESENTATION AS AT 24/11/2022 OF THE WORK-AS-CONSTRUCTED, BUT THE POSITION OF THE WORK RELATIVE TO OTHER STRUCTURES OR BOUNDARIES IS APPROXIMATE ONLY AND HAS NOT BEEN VERIFIED BY PRECISE SURVEY.

COMPANY: ADW Johnson Pty Ltd
 NAME: MATHEW DAVID LONDON
 SIGNED: [Signature] DATE: 07/12/2022
 REGISTERED SURVEYOR

COMPANY: [Blank]
 NAME: [Blank]
 SIGNED: [Blank] DATE: [Blank]
 CONSTRUCTION MANAGER

ORIGIN OF W.A.C. LEVELS

PM: 20029
 E: 345 612 942
 N: 6 382 878 917
 RL: 77.675m

Co-Ord System: MGA Ground
 MGA Datum: GDA94
 MGA Zone: 56

APPROVED FOR CONSTRUCTION
 BY ADW Johnson Pty Ltd
 Date Approved: 20/12/2021

WORK AS CONSTRUCTED

| REV. | DATE | AMENDMENT | DRAWN | CHECK | DESIGN | VERIFY | SCALES |
|------|------------|---------------------|-------|-------|--------|--------|-------------------------|
| A | 13.10.2021 | PRELIMINARY ISSUE | G.S. | C.B. | G.S. | C.B. | SCALE: 1:250 (FULL) |
| B | 22.11.2021 | ALTOGETHER COMMENTS | G.S. | C.B. | G.S. | C.B. | |
| 0 | 20.12.2021 | FOR CONSTRUCTION | G.S. | C.B. | G.S. | C.B. | |
| 1 | 03.06.2022 | FOR CONSTRUCTION | G.S. | C.B. | G.S. | C.B. | |
| 2 | 20.09.2022 | FOR CONSTRUCTION | G.S. | C.B. | G.S. | C.B. | |
| 3 | 13.12.2022 | WORK AS CONSTRUCTED | G.S. | S.S. | G.S. | M.L.O. | |

ALL DIMENSIONS ARE IN METRES. DO NOT SCALE

adw Johnson

Hunter Office
 Unit 7/335 Hillsborough Rd
 Warners Bay N.S.W. 2282
 Phone: (02) 4978 5100
 Fax: (02) 4978 5199
 email: hunter@adwjohnson.com.au
 www.adwjohnson.com.au
 ABN 62 129 445 398

CLIENT

altogether.

PROPERTY DESCRIPTION

PROPOSED SUBDIVISION
 STAGE 29
 HUNTLEE

SURVEYED
 Daly.Smith Pty Ltd

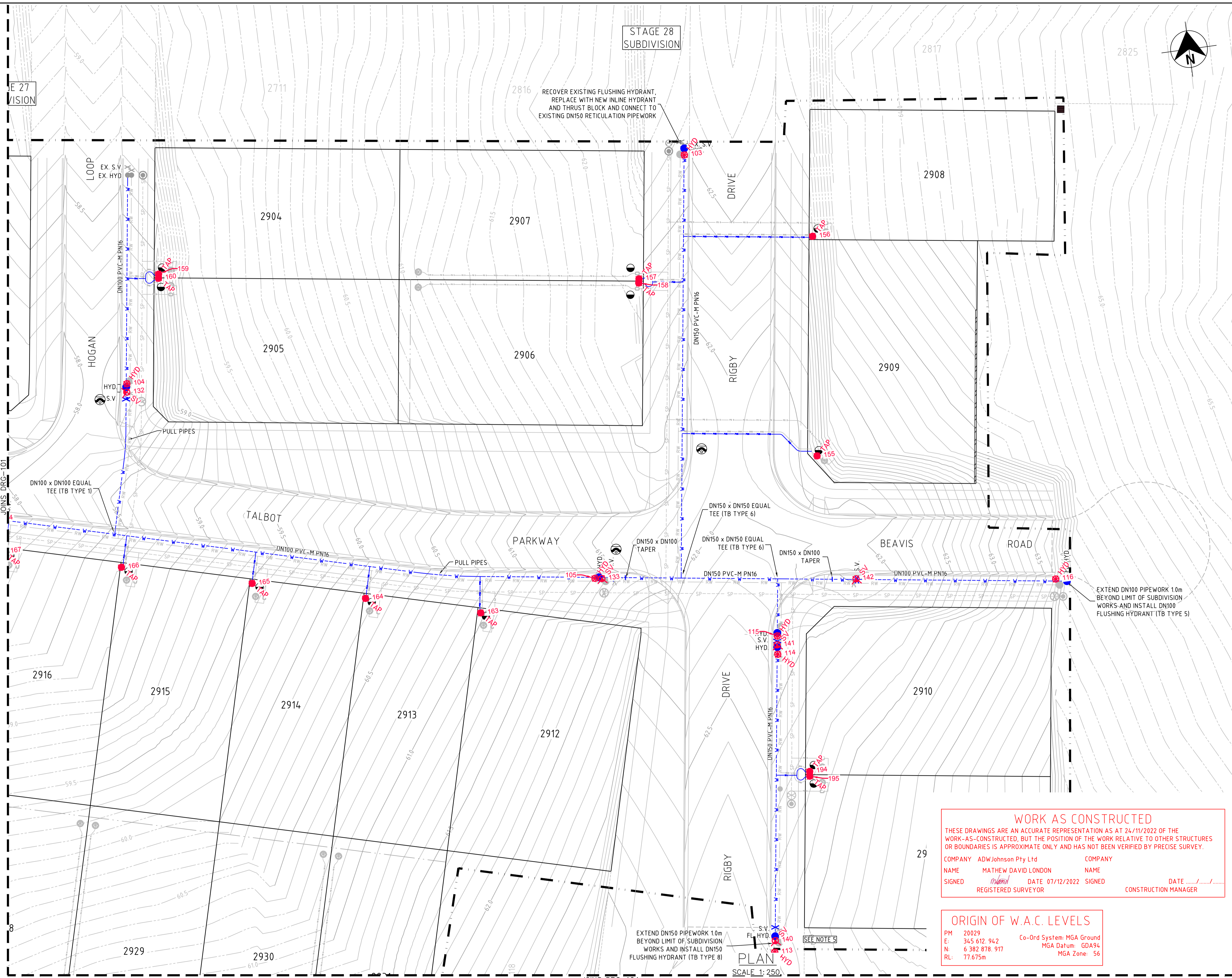
DATUM
 GDA94 MGA56 - A.H.D.

PROJECT POTABLE WATER, RECYCLED WATER AND PRESSURE SEWER RETICULATION

PLAN TITLE POTABLE WATER DETAIL PLAN - SHEET 1

| | | | |
|-------------|------------|--------|------|
| PROJECT No. | DISCIPLINE | NUMBER | REV. |
| 240037(29) | - WAC - | 101 | 3 |

240037(29)-WAC-004 to 007



LEGEND

| | |
|---------------------|---|
| --- W --- W | PVC-M POTABLE WATER RETICULATION |
| --- PWS --- PWS | POTABLE WATER PROPERTY SERVICE |
| --- RW --- RW | PVC-M RECYCLED WATER RETICULATION |
| --- RWS --- RWS | RECYCLED WATER PROPERTY SERVICE |
| --- SP --- SP | PE PRESSURE SEWER RETICULATION |
| --- PS S --- PS S | PE PRESSURE SEWER PROPERTY SERVICE |
| --- EX PW --- EX PW | EXISTING POTABLE WATER RETICULATION |
| --- EX RW --- EX RW | EXISTING RECYCLED WATER RETICULATION |
| --- EX PS --- EX PS | EXISTING PRESSURE SEWER RETICULATION |
| --- SW --- SW | STORMWATER PIPEWORK |
| ✱ | STOP VALVE |
| ● | HYDRANT |
| ● | FLUSHING HYDRANT |
| ○ | PROPERTY SERVICE CONNECTION |
| ○ | LAY WATER MAIN OVER STORMWATER PIPE (300mm MIN. VERTICAL CLEARANCE) - REFER TO WAT-1255-H |
| --- | PROPOSED EASEMENT |
| --- | SUBDIVISION STAGE BOUNDARY |

- POTABLE WATER PROPERTY SERVICE CONNECTIONS**
- TOTAL 42 CONNECTIONS
 - SINGLE SERVICES IN ACCORDANCE WITH WAT-1106-V
 - 20 x SHORT SIDE
 - 4 x LONG SIDE
 - SPLIT SERVICES IN ACCORDANCE WITH WAT-1107-V
 - 5 x SHORT SIDE
 - 4 x LONG SIDE

POTABLE WATER PIPE DATA

| PIPE SIZE (mm) | PIPE MATERIAL | TOTAL LENGTH (m) |
|----------------|---------------|------------------|
| DN150 | PVC-M PN16 | 130 |
| DN100 | PVC-M PN16 | 612 |
| DN20 (LATERAL) | PE100 PN16 | 236 |

- NOTES:**
- LOCALLY PULL PIPES TO AVOID ANY POTENTIAL CLASH WITH STORMWATER PIT.
 - FOR RECYCLED WATER PIPEWORK DETAIL PLANS REFER TO DRGS-201 TO 204.
 - FOR PRESSURE SEWER PIPEWORK DETAIL PLANS REFER TO DRGS-301 TO 304.
 - FOR TYPICAL SERVICE CONNECTION DETAILS REFER TO DRG-402.
 - IF WORKS ARE BEING CONSTRUCTED CONCURRENTLY WITH AN ADJACENT STAGE, DO NOT INSTALL STOP VALVE /FLUSHING HYDRANT UNLESS CONFIRMATION IS GIVEN FROM ALTOGETHER REPRESENTATIVE.

WORK AS CONSTRUCTED

THESE DRAWINGS ARE AN ACCURATE REPRESENTATION AS AT 24/11/2022 OF THE WORK-AS-CONSTRUCTED, BUT THE POSITION OF THE WORK RELATIVE TO OTHER STRUCTURES OR BOUNDARIES IS APPROXIMATE ONLY AND HAS NOT BEEN VERIFIED BY PRECISE SURVEY.

COMPANY ADW Johnson Pty Ltd COMPANY
 NAME MATHEW DAVID LONDON NAME
 SIGNED [Signature] DATE 07/12/2022 SIGNED [Signature] DATE
 REGISTERED SURVEYOR CONSTRUCTION MANAGER

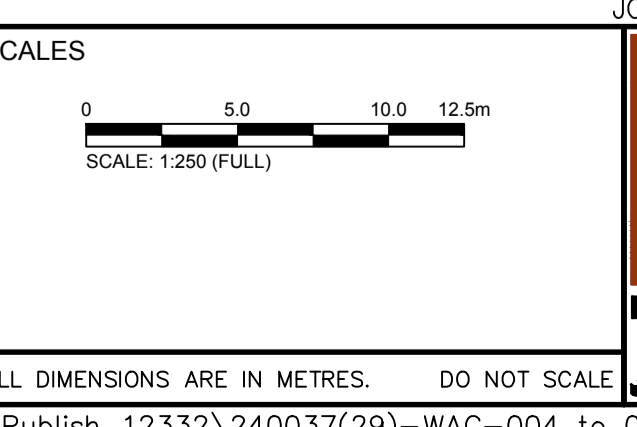
ORIGIN OF W.A.C. LEVELS

PM 20029
 E: 345 612 942 Co-Ord System: MGA Ground
 N: 6 382 878 917 MGA Datum: GDA94
 RL: 77.675m MGA Zone: 56

APPROVED FOR CONSTRUCTION
 BY ADW Johnson Pty Ltd
 Date Approved: 20/12/2021

WORK AS CONSTRUCTED

| REV. | DATE | AMENDMENT | DRAWN | CHECK | DESIGN | VERIFY |
|------|------------|---------------------|-------|-------|--------|--------|
| A | 13.10.2021 | PRELIMINARY ISSUE | G.S. | C.B. | G.S. | C.B. |
| B | 22.11.2021 | ALTOGETHER COMMENTS | G.S. | C.B. | G.S. | C.B. |
| 0 | 20.12.2021 | FOR CONSTRUCTION | G.S. | C.B. | G.S. | C.B. |
| 1 | 03.06.2022 | FOR CONSTRUCTION | G.S. | C.B. | G.S. | C.B. |
| 2 | 20.09.2022 | FOR CONSTRUCTION | G.S. | C.B. | G.S. | C.B. |
| 3 | 13.12.2022 | WORK AS CONSTRUCTED | G.S. | S.S. | G.S. | M.L.O. |



JOINS DRG-104

adw Johnson

Hunter Office
 Unit 7/335 Hillsborough Rd
 Warners Bay N.S.W. 2282
 Phone: (02) 4978 5100
 Fax: (02) 4978 5199
 email: hunter@adwjohnson.com.au
 www.adwjohnson.com.au
 ABN 62 129 445 398

CLIENT

PROPERTY DESCRIPTION

PROPOSED SUBDIVISION
 STAGE 29
 HUNTLEE

SURVEYED
 Daly.Smith Pty Ltd

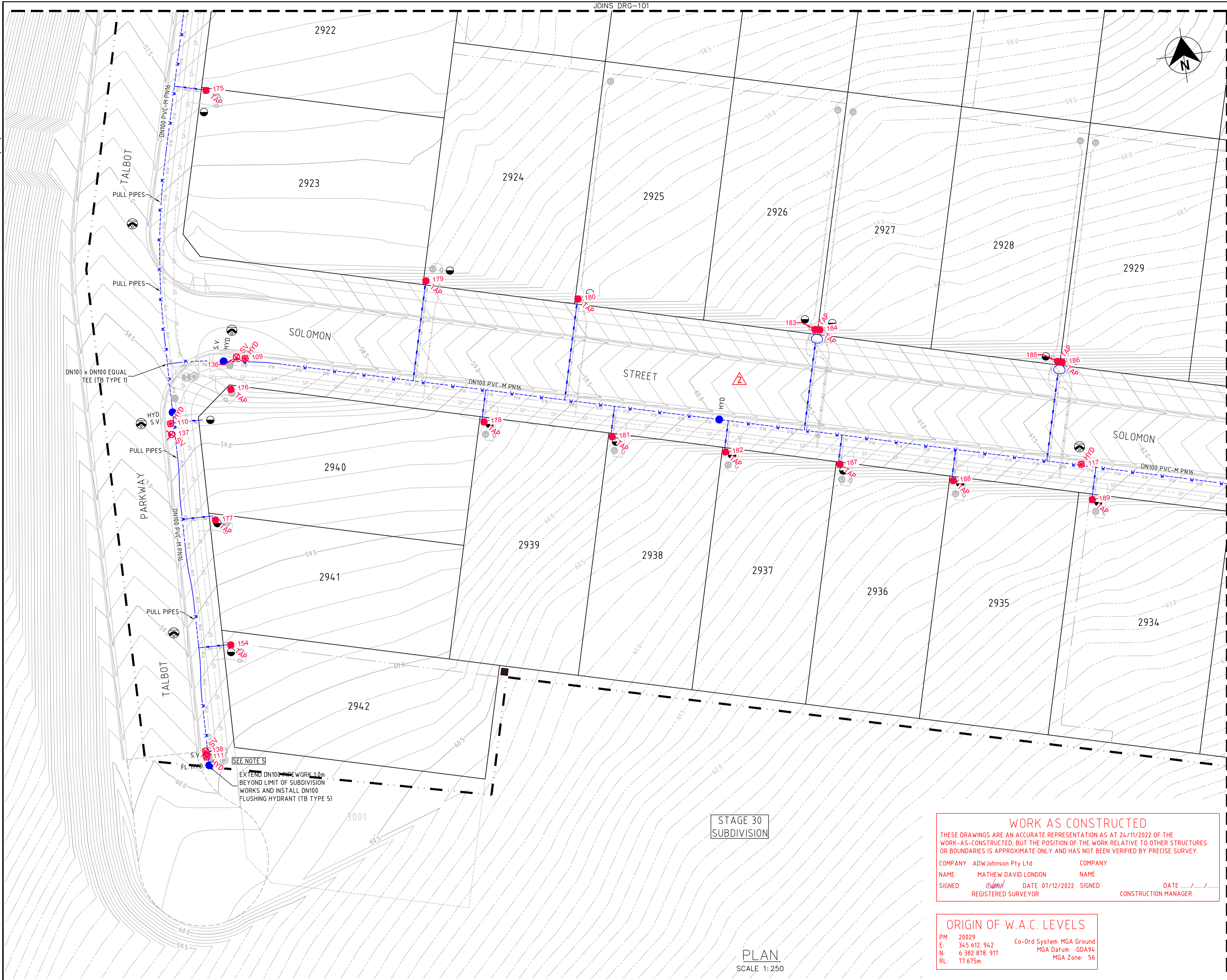
DATUM
 GDA94 MGA56 - A.H.D.

PROJECT POTABLE WATER, RECYCLED WATER AND PRESSURE SEWER RETICULATION

PLAN TITLE POTABLE WATER DETAIL PLAN - SHEET 2

| | | | |
|-------------|------------|--------|------|
| PROJECT No. | DISCIPLINE | NUMBER | REV. |
| 240037(29) | - WAC - | 102 | 3 |

240037(29)-WAC-004 to 007



LEGEND

| | |
|-------|---|
| W | PVC-M POTABLE WATER RETICULATION |
| PWS | POTABLE WATER PROPERTY SERVICE |
| RW | PVC-M RECYCLED WATER RETICULATION |
| RWS | RECYCLED WATER PROPERTY SERVICE |
| SP | PE PRESSURE SEWER RETICULATION |
| PS S | PE PRESSURE SEWER PROPERTY SERVICE |
| EX PW | EXISTING POTABLE WATER RETICULATION |
| EX RW | EXISTING RECYCLED WATER RETICULATION |
| EX PS | EXISTING PRESSURE SEWER RETICULATION |
| SW | STORMWATER PIPEWORK |
| SV | STOP VALVE |
| HYD | HYDRANT |
| FL | FLUSHING HYDRANT |
| PC | PROPERTY SERVICE CONNECTION |
| LM | LAY WATER MAIN OVER STORMWATER PIPE (300mm MIN. VERTICAL CLEARANCE) - REFER TO WAT-1255-H |
| PE | PROPOSED EASEMENT |
| SB | SUBDIVISION STAGE BOUNDARY |

- POTABLE WATER PROPERTY SERVICE CONNECTIONS**
- TOTAL 42 CONNECTIONS
 - SINGLE SERVICES IN ACCORDANCE WITH WAT-1106-V
 - 20 x SHORT SIDE
 - 4 x LONG SIDE
 - SPLIT SERVICES IN ACCORDANCE WITH WAT-1107-V
 - 5 x SHORT SIDE
 - 4 x LONG SIDE

POTABLE WATER PIPE DATA

| PIPE SIZE (mm) | PIPE MATERIAL | TOTAL LENGTH (m) |
|----------------|---------------|------------------|
| DN150 | PVC-M PN16 | 130 |
| DN100 | PVC-M PN16 | 612 |
| DN20 (LATERAL) | PE100 PN16 | 236 |

- NOTES:**
- LOCALLY PULL PIPES TO AVOID ANY POTENTIAL CLASH WITH STORMWATER PIT.
 - FOR RECYCLED WATER PIPEWORK DETAIL PLANS REFER TO DRGS-201 TO 204.
 - FOR PRESSURE SEWER PIPEWORK DETAIL PLANS REFER TO DRGS-301 TO 304.
 - FOR TYPICAL SERVICE CONNECTION DETAILS REFER TO DRG-402.
 - IF WORKS ARE BEING CONSTRUCTED CONCURRENTLY WITH AN ADJACENT STAGE, DO NOT INSTALL STOP VALVE /FLUSHING HYDRANT UNLESS CONFIRMATION IS GIVEN FROM ALTOGETHER REPRESENTATIVE.

WORK AS CONSTRUCTED

THESE DRAWINGS ARE AN ACCURATE REPRESENTATION AS AT 24/11/2022 OF THE WORK-AS-CONSTRUCTED, BUT THE POSITION OF THE WORK RELATIVE TO OTHER STRUCTURES OR BOUNDARIES IS APPROXIMATE ONLY AND HAS NOT BEEN VERIFIED BY PRECISE SURVEY.

COMPANY ADW Johnson Pty Ltd COMPANY
 NAME MATHEW DAVID LONDON NAME
 SIGNED *MatheW* DATE 07/12/2022 SIGNED _____ DATE _____
 REGISTERED SURVEYOR CONSTRUCTION MANAGER

ORIGIN OF W.A.C. LEVELS

PM 20029 Co-Ord System: MGA Ground
 E: 345 612 942 MGA Datum: GDA94
 N: 6 382 878 917 MGA Zone: 56
 RL: 77.675m

APPROVED FOR CONSTRUCTION
 BY ADW Johnson Pty Ltd
 Date Approved: 20/12/2021

WORK AS CONSTRUCTED

STAGE 30
SUBDIVISION

PLAN
SCALE 1:250

| REV. | DATE | AMENDMENT | DRAWN | CHECK | DESIGN | VERIFY | SCALES |
|------|------------|---------------------|-------|-------|--------|--------|-------------------------|
| A | 13.10.2021 | PRELIMINARY ISSUE | G.S. | C.B. | G.S. | C.B. | SCALE: 1:250 (FULL) |
| B | 22.11.2021 | ALTOGETHER COMMENTS | G.S. | C.B. | G.S. | C.B. | |
| 0 | 20.12.2021 | FOR CONSTRUCTION | G.S. | C.B. | G.S. | C.B. | |
| 1 | 03.06.2022 | FOR CONSTRUCTION | G.S. | C.B. | G.S. | C.B. | |
| 2 | 20.09.2022 | FOR CONSTRUCTION | G.S. | C.B. | G.S. | C.B. | |
| 3 | 13.12.2022 | WORK AS CONSTRUCTED | G.S. | S.S. | G.S. | M.L.O. | |

Hunter Office
 Unit 7/335 Hillsborough Rd
 Warners Bay N.S.W. 2282
 Phone: (02) 4978 5100
 Fax: (02) 4978 5199
 email: hunter@adwjohnson.com.au
 www.adwjohnson.com.au
 ABN 62 129 445 398

CLIENT

PROPERTY DESCRIPTION

PROPOSED SUBDIVISION
STAGE 29
HUNTLEE

PROJECT POTABLE WATER, RECYCLED WATER AND PRESSURE SEWER RETICULATION

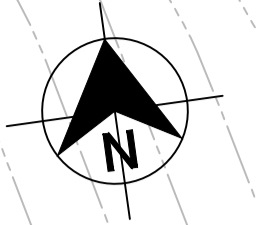
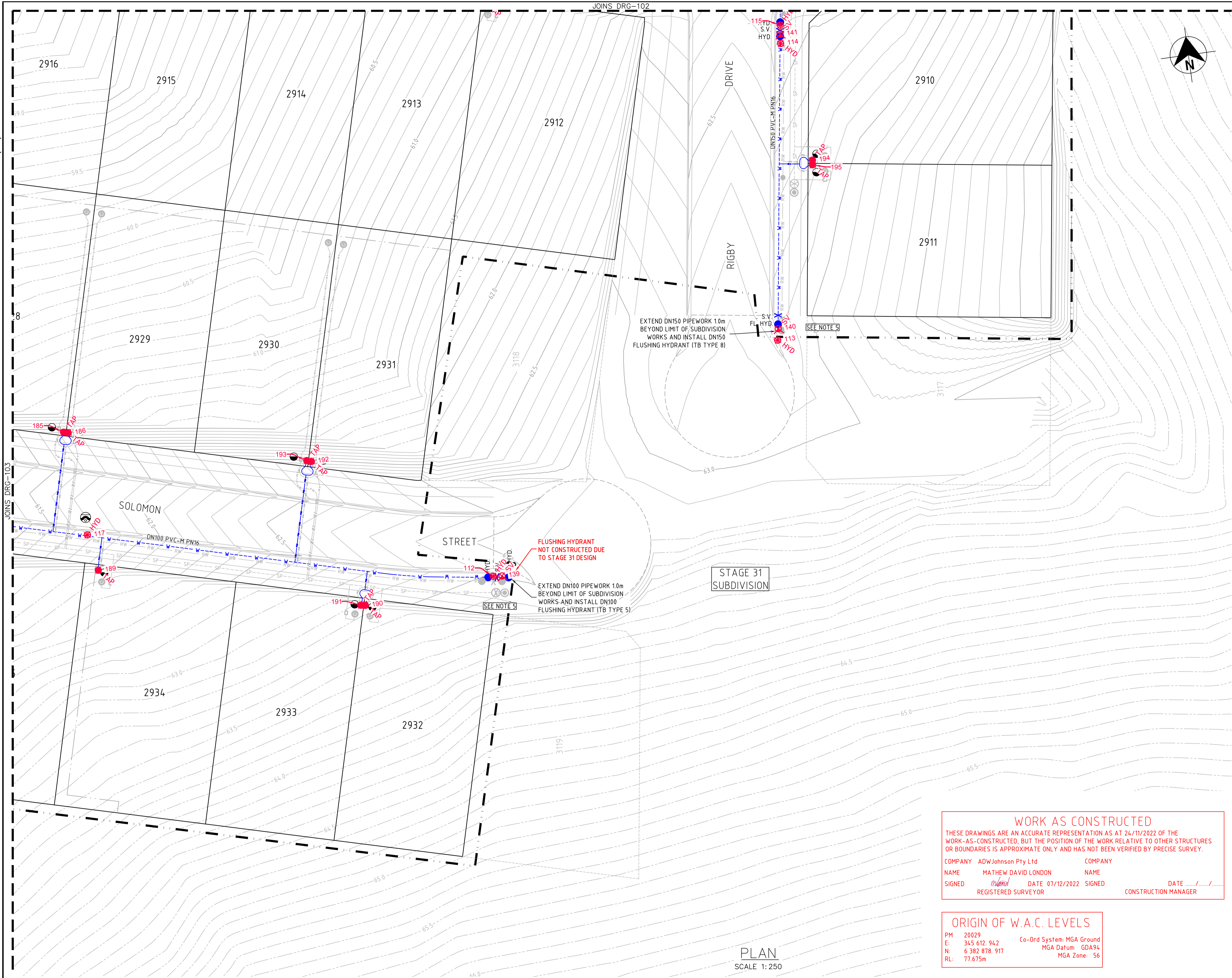
PLAN TITLE POTABLE WATER DETAIL PLAN - SHEET 3

| | | | |
|------------------------|--------------------|------------|--------|
| PROJECT No. 240037(29) | DISCIPLINE - WAC - | NUMBER 103 | REV. 3 |
|------------------------|--------------------|------------|--------|

240037(29)-WAC-004 to 007

JOINS DRG-103

100mm AT FULL SIZE



- LEGEND**
- W --- W --- PVC-M POTABLE WATER RETICULATION
 - PWS --- PWS --- POTABLE WATER PROPERTY SERVICE
 - RW --- RW --- PVC-M RECYCLED WATER RETICULATION
 - RWS --- RWS --- RECYCLED WATER PROPERTY SERVICE
 - SP --- SP --- PE PRESSURE SEWER RETICULATION
 - PS S --- PS S --- PE PRESSURE SEWER PROPERTY SERVICE
 - EX PW --- EX PW --- EXISTING POTABLE WATER RETICULATION
 - EX RW --- EX RW --- EXISTING RECYCLED WATER RETICULATION
 - EX PS --- EX PS --- EXISTING PRESSURE SEWER RETICULATION
 - SW --- SW --- STORMWATER PIPEWORK
 - ★ STOP VALVE
 - HYDRANT
 - FLUSHING HYDRANT
 - PROPERTY SERVICE CONNECTION
 - LAY WATER MAIN OVER STORMWATER PIPE (300mm MIN. VERTICAL CLEARANCE) - REFER TO WAT-1255-H
 - PROPOSED EASEMENT
 - - - - - SUBDIVISION STAGE BOUNDARY

- POTABLE WATER PROPERTY SERVICE CONNECTIONS
- TOTAL 42 CONNECTIONS
- SINGLE SERVICES IN ACCORDANCE WITH WAT-1106-V
 - 20 x SHORT SIDE
 - 4 x LONG SIDE
- SPLIT SERVICES IN ACCORDANCE WITH WAT-1107-V
 - 5 x SHORT SIDE
 - 4 x LONG SIDE

| POTABLE WATER PIPE DATA | | |
|-------------------------|---------------|------------------|
| PIPE SIZE (mm) | PIPE MATERIAL | TOTAL LENGTH (m) |
| DN150 | PVC-M PN16 | 130 |
| DN100 | PVC-M PN16 | 612 |
| DN20 (LATERAL) | PE100 PN16 | 236 |

- NOTES:**
- LOCALLY PULL PIPES TO AVOID ANY POTENTIAL CLASH WITH STORMWATER PIT.
 - FOR RECYCLED WATER PIPEWORK DETAIL PLANS REFER TO DRGS-201 TO 204.
 - FOR PRESSURE SEWER PIPEWORK DETAIL PLANS REFER TO DRGS-301 TO 304.
 - FOR TYPICAL SERVICE CONNECTION DETAILS REFER TO DRG-402.
 - IF WORKS ARE BEING CONSTRUCTED CONCURRENTLY WITH AN ADJACENT STAGE, DO NOT INSTALL STOP VALVE /FLUSHING HYDRANT UNLESS CONFIRMATION IS GIVEN FROM ALTOGETHER REPRESENTATIVE.

WORK AS CONSTRUCTED

THESE DRAWINGS ARE AN ACCURATE REPRESENTATION AS AT 24/11/2022 OF THE WORK-AS-CONSTRUCTED, BUT THE POSITION OF THE WORK RELATIVE TO OTHER STRUCTURES OR BOUNDARIES IS APPROXIMATE ONLY AND HAS NOT BEEN VERIFIED BY PRECISE SURVEY.

COMPANY ADW Johnson Pty Ltd COMPANY
 NAME MATHEW DAVID LONDON NAME
 SIGNED *MatheW* DATE 07/12/2022 SIGNED _____ DATE _____
 REGISTERED SURVEYOR CONSTRUCTION MANAGER

ORIGIN OF W.A.C. LEVELS

PM 20029 Co-Ord System: MGA Ground
 E: 345 612.942 MGA Datum: GDA94
 N: 6 382 878.917 MGA Zone: 56
 RL: 77.675m

APPROVED FOR CONSTRUCTION
BY ADW Johnson Pty Ltd
 Date Approved: 20/12/2021

WORK AS CONSTRUCTED

PLAN
SCALE 1:250

| REV. | DATE | AMENDMENT | DRAWN | CHECK | DESIGN | VERIFY | SCALES |
|------|------------|----------------------------|-------------|-------------|-------------|---------------|----------------------------|
| A | 13.10.2021 | PRELIMINARY ISSUE | G.S. | C.B. | G.S. | C.B. | <p>SCALE: 1:250 (FULL)</p> |
| B | 22.11.2021 | ALTOGETHER COMMENTS | G.S. | C.B. | G.S. | C.B. | |
| 0 | 20.12.2021 | FOR CONSTRUCTION | G.S. | C.B. | G.S. | C.B. | |
| 1 | 03.06.2022 | FOR CONSTRUCTION | G.S. | C.B. | G.S. | C.B. | |
| 2 | 20.09.2022 | FOR CONSTRUCTION | G.S. | C.B. | G.S. | C.B. | |
| 3 | 13.12.2022 | WORK AS CONSTRUCTED | G.S. | S.S. | G.S. | M.L.O. | |

Hunter Office
 Unit 7/335 Hillsborough Rd
 Warners Bay N.S.W. 2282
 Phone: (02) 4978 5100
 Fax: (02) 4978 5199
 email: hunter@adwjohnson.com.au
 www.adwjohnson.com.au
 ABN 62 129 445 398

CLIENT

PROPERTY DESCRIPTION

PROPOSED SUBDIVISION
STAGE 29
HUNTLEE

PROJECT POTABLE WATER, RECYCLED WATER AND PRESSURE SEWER RETICULATION

PLAN TITLE POTABLE WATER DETAIL PLAN - SHEET 4

| | | | |
|-------------|------------|--------|------|
| PROJECT No. | DISCIPLINE | NUMBER | REV. |
| 240037(29) | - WAC - | 104 | 3 |

240037(29)-WAC-009 to 012



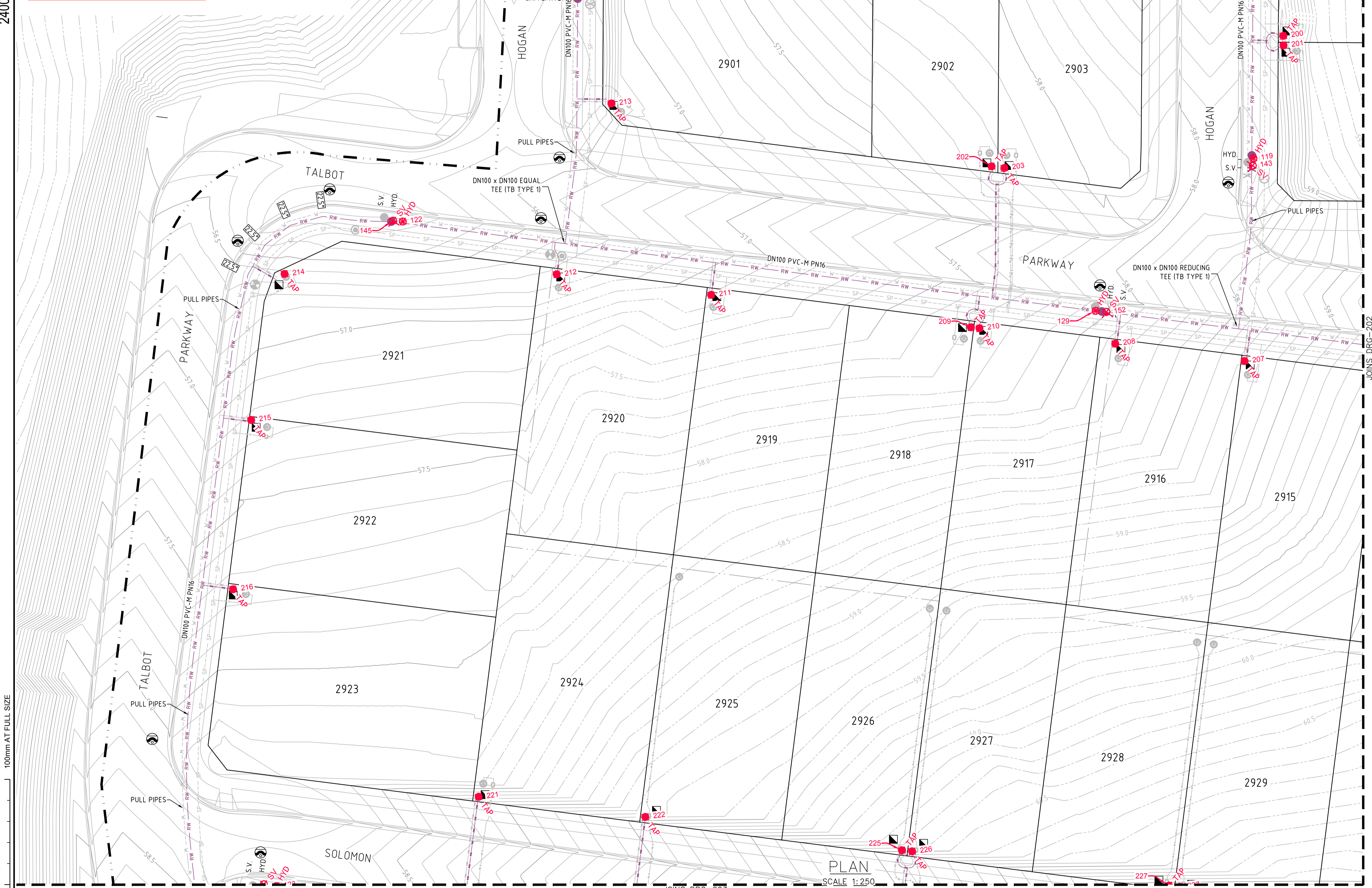
WORK AS CONSTRUCTED

THESE DRAWINGS ARE AN ACCURATE REPRESENTATION AS AT 24/11/2022 OF THE WORK-AS-CONSTRUCTED, BUT THE POSITION OF THE WORK RELATIVE TO OTHER STRUCTURES OR BOUNDARIES IS APPROXIMATE ONLY AND HAS NOT BEEN VERIFIED BY PRECISE SURVEY.

COMPANY ADW Johnson Pty Ltd
 NAME MATHEW DAVID LONDON
 SIGNED [Signature] DATE 07/12/2022 REGISTERED SURVEYOR
 COMPANY NAME
 DATE
 CONSTRUCTION MANAGER

ORIGIN OF W.A.C. LEVELS

PM 20029
 E: 345 612 942 Co-Ord System: MGA Ground
 N: 6 382 878 917 MGA Datum: GDA94
 RL: 77.675m MGA Zone: 56



LEGEND

- RW (Red line) PVC-M RECYCLED WATER RETICULATION
- RWS (Red line) RECYCLED WATER PROPERTY SERVICE
- PWS (Blue line) POTABLE WATER RETICULATION
- SP (Blue line) POTABLE WATER PROPERTY SERVICE
- PS S (Blue line) PE PRESSURE SEWER RETICULATION
- EX RW (Red line) PE PRESSURE SEWER PROPERTY SERVICE
- EX PWS (Blue line) EXISTING RECYCLED WATER RETICULATION
- EX PS (Blue line) EXISTING POTABLE WATER RETICULATION
- SW (Blue line) EXISTING PRESSURE SEWER RETICULATION
- SV (Star symbol) STORMWATER PIPEWORK
- HYD (Purple circle) STOP VALVE
- FL HYD (Purple circle) HYDRANT
- Property Service Connection symbol
- Lay Water Main Over Stormwater Pipe symbol (300mm MIN. VERTICAL CLEARANCE) - REFER TO WAT-1255-H
- Proposed Easement symbol
- Subdivision Stage Boundary symbol

- RECYCLED WATER PROPERTY SERVICE CONNECTIONS**
- TOTAL 42 CONNECTIONS
- SINGLE SERVICES IN ACCORDANCE WITH WAT-1106-V
 - 20 x SHORT SIDE
 - 4 x LONG SIDE
 - SPLIT SERVICES IN ACCORDANCE WITH WAT-1107-V
 - 5 x SHORT SIDE
 - 4 x LONG SIDE

| RECYCLED WATER PIPE DATA | | |
|--------------------------|---------------|------------------|
| PIPE SIZE (mm) | PIPE MATERIAL | TOTAL LENGTH (m) |
| DN100 | PVC-M PN16 | 727 |
| DN25 (LATERAL) | PE100 PN16 | 242 |

- NOTES:**
- LOCALLY PULL PIPES TO AVOID ANY POTENTIAL CLASH WITH STORMWATER PIT
 - FOR POTABLE WATER PIPEWORK DETAIL PLANS REFER TO DRGS-101 TO 104.
 - FOR PRESSURE SEWER PIPEWORK DETAIL PLANS REFER TO DRGS-301 TO 304.
 - FOR TYPICAL SERVICE CONNECTION DETAILS REFER TO DRG-402.
 - IF WORKS ARE BEING CONSTRUCTED CONCURRENTLY WITH AN ADJACENT STAGE, DO NOT INSTALL STOP VALVE /FLUSHING HYDRANT UNLESS CONFIRMATION IS GIVEN FROM ALTOGETHER REPRESENTATIVE.

APPROVED FOR CONSTRUCTION
 BY ADW Johnson Pty Ltd
 Date Approved: 20/12/2021

WORK AS CONSTRUCTED

| REV. | DATE | AMENDMENT | DRAWN | CHECK | DESIGN | VERIFY |
|------|------------|---------------------|-------|-------|--------|--------|
| A | 13.10.2021 | PRELIMINARY ISSUE | G.S. | C.B. | G.S. | C.B. |
| B | 22.11.2021 | ALTOGETHER COMMENTS | G.S. | C.B. | G.S. | C.B. |
| 0 | 20.12.2021 | FOR CONSTRUCTION | G.S. | C.B. | G.S. | C.B. |
| 1 | 03.06.2022 | FOR CONSTRUCTION | G.S. | C.B. | G.S. | C.B. |
| 2 | 20.09.2022 | FOR CONSTRUCTION | G.S. | C.B. | G.S. | C.B. |
| 3 | 13.12.2022 | WORK AS CONSTRUCTED | G.S. | S.S. | G.S. | M.L.O. |

SCALE: 1:250 (FULL)

ALL DIMENSIONS ARE IN METRES. DO NOT SCALE

adw Johnson

Hunter Office
 Unit 7/335 Hillsborough Rd
 Warners Bay N.S.W. 2282
 Phone: (02) 4978 5100
 Fax: (02) 4978 5199
 email: hunter@adwjohnson.com.au
 www.adwjohnson.com.au
 ABN 62 129 445 398

altogether.

CLIENT

PROPOSED SUBDIVISION
 STAGE 29
 HUNTLEE

SURVEYED
 Daly.Smith Pty Ltd

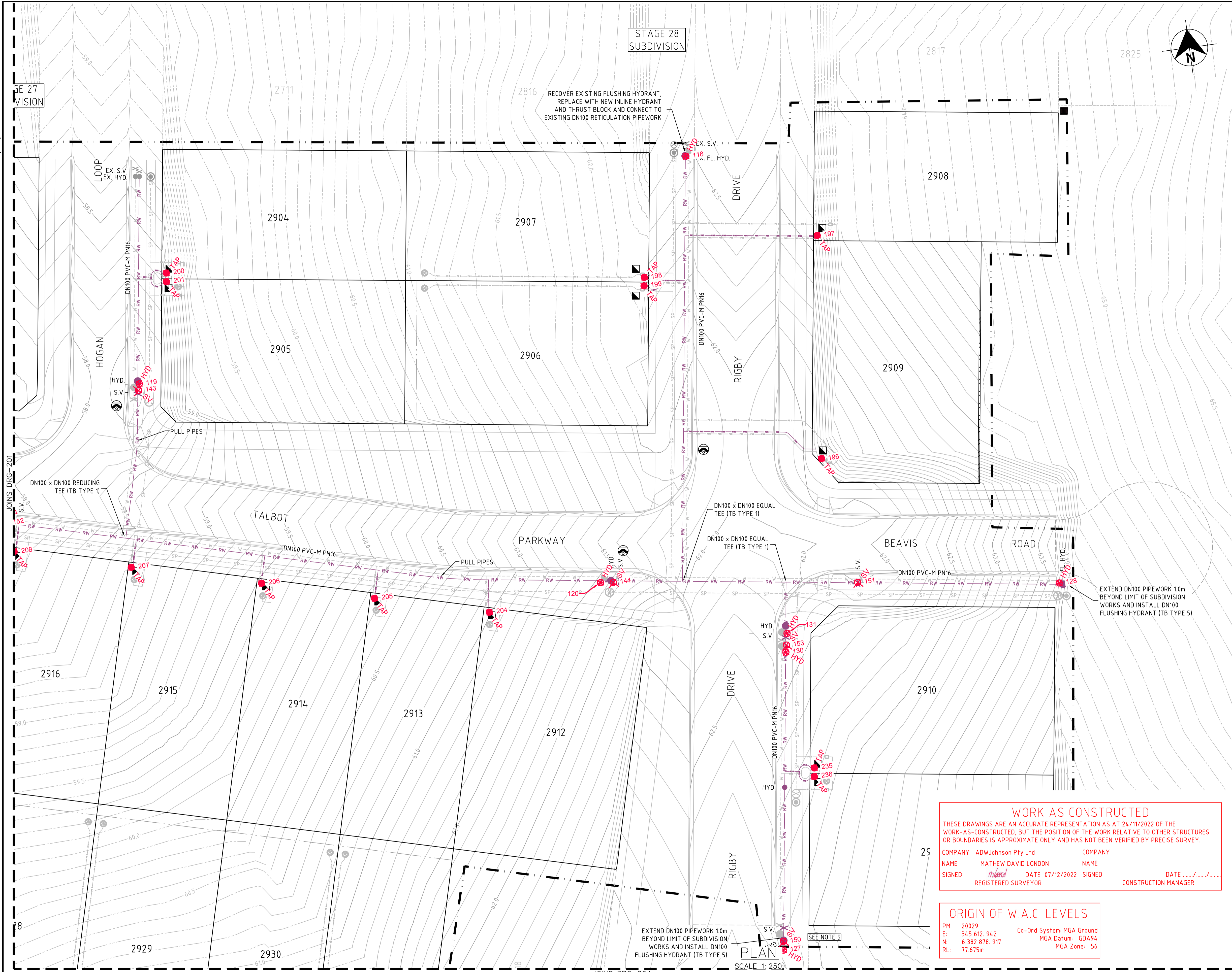
DATUM
 GDA94 MGA56 - A.H.D.

PROJECT POTABLE WATER, RECYCLED WATER AND PRESSURE SEWER RETICULATION

PLAN TITLE RECYCLED WATER DETAIL PLAN - SHEET 1

PROJECT No. 240037(29) DISCIPLINE - WAC - NUMBER 201 REV. 3

240037(29)-WAC-009 to 012



LEGEND

| | |
|-------------------|---|
| — RW — RW — RW | PVC-M RECYCLED WATER RETICULATION |
| — RWS — RWS — RWS | RECYCLED WATER PROPERTY SERVICE |
| — PWS — PWS — PWS | POTABLE WATER PROPERTY SERVICE |
| — SP — SP — SP | PE PRESSURE SEWER RETICULATION |
| — PS S — PS S | PE PRESSURE SEWER PROPERTY SERVICE |
| — EX RW — EX RW | EXISTING RECYCLED WATER RETICULATION |
| — EX PW — EX PW | EXISTING POTABLE WATER RETICULATION |
| — EX PS — EX PS | EXISTING PRESSURE SEWER RETICULATION |
| — SW — SW | STORMWATER PIPEWORK |
| SV | STOP VALVE |
| HYD | HYDRANT |
| FL HYD | FLUSHING HYDRANT |
| ▲ | PROPERTY SERVICE CONNECTION |
| ⊙ | LAY WATER MAIN OVER STORMWATER PIPE (300mm MIN. VERTICAL CLEARANCE) - REFER TO WAT-1255-H |
| --- | PROPOSED EASEMENT |
| - - - - | SUBDIVISION STAGE BOUNDARY |

- RECYCLED WATER PROPERTY SERVICE CONNECTIONS**
- TOTAL 42 CONNECTIONS
 - SINGLE SERVICES IN ACCORDANCE WITH WAT-1106-V
 - 20 x SHORT SIDE
 - 4 x LONG SIDE
 - SPLIT SERVICES IN ACCORDANCE WITH WAT-1107-V
 - 5 x SHORT SIDE
 - 4 x LONG SIDE

RECYCLED WATER PIPE DATA

| PIPE SIZE (mm) | PIPE MATERIAL | TOTAL LENGTH (m) |
|----------------|---------------|------------------|
| DN100 | PVC-M PN16 | 727 |
| DN25 (LATERAL) | PE100 PN16 | 242 |

- NOTES:**
- LOCALLY PULL PIPES TO AVOID ANY POTENTIAL CLASH WITH STORMWATER PIT
 - FOR POTABLE WATER PIPEWORK DETAIL PLANS REFER TO DRGS-101 TO 104.
 - FOR PRESSURE SEWER PIPEWORK DETAIL PLANS REFER TO DRGS-301 TO 304.
 - FOR TYPICAL SERVICE CONNECTION DETAILS REFER TO DRG-402.
 - IF WORKS ARE BEING CONSTRUCTED CONCURRENTLY WITH AN ADJACENT STAGE, DO NOT INSTALL STOP VALVE /FLUSHING HYDRANT UNLESS CONFIRMATION IS GIVEN FROM ALTOGETHER REPRESENTATIVE.

WORK AS CONSTRUCTED

THESE DRAWINGS ARE AN ACCURATE REPRESENTATION AS AT 24/11/2022 OF THE WORK-AS-CONSTRUCTED, BUT THE POSITION OF THE WORK RELATIVE TO OTHER STRUCTURES OR BOUNDARIES IS APPROXIMATE ONLY AND HAS NOT BEEN VERIFIED BY PRECISE SURVEY.

COMPANY ADW Johnson Pty Ltd COMPANY
 NAME MATHEW DAVID LONDON NAME
 SIGNED *mathew* DATE 07/12/2022 SIGNED _____ DATE _____
 REGISTERED SURVEYOR CONSTRUCTION MANAGER

ORIGIN OF W.A.C. LEVELS

PM 20029
 E: 345 612 942 Co-Ord System: MGA Ground
 N: 6 382 878 917 MGA Datum: GDA94
 RL: 77.675m MGA Zone: 56

APPROVED FOR CONSTRUCTION
 BY ADW Johnson Pty Ltd
 Date Approved: 20/12/2021

WORK AS CONSTRUCTED

| REV. | DATE | AMENDMENT | DRAWN | CHECK | DESIGN | VERIFY | SCALES |
|------|------------|----------------------------|-------------|-------------|-------------|---------------|--|
| A | 13.10.2021 | PRELIMINARY ISSUE | G.S. | C.B. | G.S. | C.B. | ALL DIMENSIONS ARE IN METRES. DO NOT SCALE |
| B | 22.11.2021 | ALTOGETHER COMMENTS | G.S. | C.B. | G.S. | C.B. | |
| 0 | 20.12.2021 | FOR CONSTRUCTION | G.S. | C.B. | G.S. | C.B. | |
| 1 | 03.06.2022 | FOR CONSTRUCTION | G.S. | C.B. | G.S. | C.B. | |
| 2 | 20.09.2022 | FOR CONSTRUCTION | G.S. | C.B. | G.S. | C.B. | |
| 3 | 13.12.2022 | WORK AS CONSTRUCTED | G.S. | S.S. | G.S. | M.L.O. | |

Hunter Office
 Unit 7/335 Hillsborough Rd
 Warners Bay N.S.W. 2282
 Phone: (02) 4978 5100
 Fax: (02) 4978 5199
 email: hunter@adwjohnson.com.au
 www.adwjohnson.com.au
 ABN 62 129 445 398

CLIENT

PROPERTY DESCRIPTION

PROPOSED SUBDIVISION
 STAGE 29
 HUNTLEE

SURVEYED
 Daly Smith Pty Ltd

DATUM
 GDA94 MGA56 - A.H.D.

PROJECT
 POTABLE WATER, RECYCLED WATER AND
 PRESSURE SEWER RETICULATION

PLAN TITLE
 RECYCLED WATER DETAIL
 PLAN - SHEET 2

PROJECT No.
 240037(29)

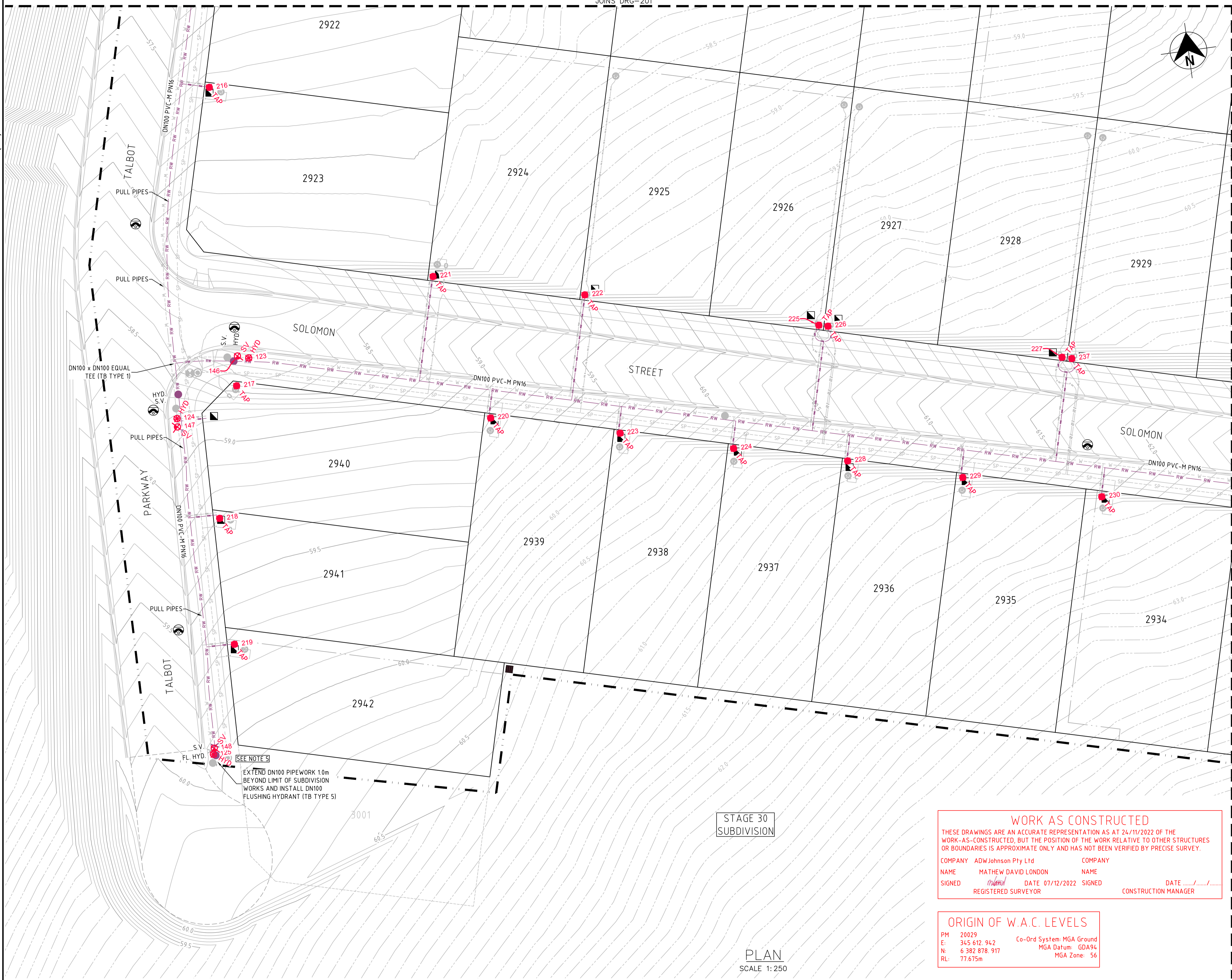
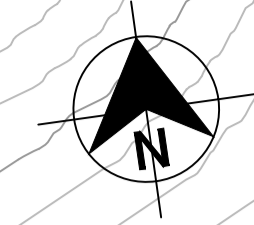
DISCIPLINE
 - WAC -

NUMBER
 202

REV.
 3

240037(29)-WAC-009 to 012

JOINS DRG-201



LEGEND

| | | |
|------------------------------------|------------------------------------|---|
| RW | RW | PVC-M RECYCLED WATER RETICULATION |
| RWS | RWS | RECYCLED WATER PROPERTY SERVICE |
| PWS | PWS | PVC-M POTABLE WATER RETICULATION |
| SP | SP | POTABLE WATER PROPERTY SERVICE |
| PS | PS | PE PRESSURE SEWER RETICULATION |
| EX RW | EX RW | PE PRESSURE SEWER PROPERTY SERVICE |
| EX PWS | EX PWS | EXISTING RECYCLED WATER RETICULATION |
| EX SP | EX SP | EXISTING POTABLE WATER RETICULATION |
| EX PS | EX PS | EXISTING PRESSURE SEWER RETICULATION |
| SW | SW | EXISTING PRESSURE SEWER RETICULATION |
| SV | SV | STOP VALVE |
| HYD | HYD | HYDRANT |
| FL HYD | FL HYD | FLUSHING HYDRANT |
| Property Service Connection Symbol | Property Service Connection Symbol | PROPERTY SERVICE CONNECTION |
| Lay Water Main Symbol | Lay Water Main Symbol | LAY WATER MAIN OVER STORMWATER PIPE (300mm MIN. VERTICAL CLEARANCE) - REFER TO WAT-1255-H |
| Proposed Easement Symbol | Proposed Easement Symbol | PROPOSED EASEMENT |
| Subdivision Stage Boundary Symbol | Subdivision Stage Boundary Symbol | SUBDIVISION STAGE BOUNDARY |

- RECYCLED WATER PROPERTY SERVICE CONNECTIONS**
- TOTAL 42 CONNECTIONS
- SINGLE SERVICES IN ACCORDANCE WITH WAT-1106-V
 - 20 x SHORT SIDE
 - 4 x LONG SIDE
 - SPLIT SERVICES IN ACCORDANCE WITH WAT-1107-V
 - 5 x SHORT SIDE
 - 4 x LONG SIDE

RECYCLED WATER PIPE DATA

| PIPE SIZE (mm) | PIPE MATERIAL | TOTAL LENGTH (m) |
|----------------|---------------|------------------|
| DN100 | PVC-M PN16 | 727 |
| DN25 (LATERAL) | PE100 PN16 | 242 |

- NOTES:**
1. LOCALLY PULL PIPES TO AVOID ANY POTENTIAL CLASH WITH STORMWATER PIT
 2. FOR POTABLE WATER PIPEWORK DETAIL PLANS REFER TO DRGS-101 TO 104.
 3. FOR PRESSURE SEWER PIPEWORK DETAIL PLANS REFER TO DRGS-301 TO 304.
 4. FOR TYPICAL SERVICE CONNECTION DETAILS REFER TO DRG-402.
 5. IF WORKS ARE BEING CONSTRUCTED CONCURRENTLY WITH AN ADJACENT STAGE, DO NOT INSTALL STOP VALVE /FLUSHING HYDRANT UNLESS CONFIRMATION IS GIVEN FROM ALTOGETHER REPRESENTATIVE.

WORK AS CONSTRUCTED

THESE DRAWINGS ARE AN ACCURATE REPRESENTATION AS AT 24/11/2022 OF THE WORK-AS-CONSTRUCTED, BUT THE POSITION OF THE WORK RELATIVE TO OTHER STRUCTURES OR BOUNDARIES IS APPROXIMATE ONLY AND HAS NOT BEEN VERIFIED BY PRECISE SURVEY.

COMPANY ADW Johnson Pty Ltd COMPANY
 NAME MATHEW DAVID LONDON NAME
 SIGNED *Matthew London* DATE 07/12/2022 SIGNED _____ DATE _____
 REGISTERED SURVEYOR CONSTRUCTION MANAGER

ORIGIN OF W.A.C. LEVELS

PM 20029 Co-Ord System: MGA Ground
 E: 345 612.942 MGA Datum: GDA94
 N: 6 382 878.917 MGA Zone: 56
 RL: 77.675m

APPROVED FOR CONSTRUCTION
 BY ADW Johnson Pty Ltd
 Date Approved: 20/12/2021

WORK AS CONSTRUCTED

STAGE 30
SUBDIVISION

PLAN
SCALE 1:250

| REV. | DATE | AMENDMENT | DRAWN | CHECK | DESIGN | VERIFY | SCALES |
|------|------------|---------------------|-------|-------|--------|--------|--------|
| A | 13.10.2021 | PRELIMINARY ISSUE | G.S. | C.B. | G.S. | C.B. | |
| B | 22.11.2021 | ALTOGETHER COMMENTS | G.S. | C.B. | G.S. | C.B. | |
| 0 | 20.12.2021 | FOR CONSTRUCTION | G.S. | C.B. | G.S. | C.B. | |
| 1 | 03.06.2022 | FOR CONSTRUCTION | G.S. | C.B. | G.S. | C.B. | |
| 2 | 20.09.2022 | FOR CONSTRUCTION | G.S. | C.B. | G.S. | C.B. | |
| 3 | 13.12.2022 | WORK AS CONSTRUCTED | G.S. | S.S. | G.S. | M.L.O. | |

DESIGN FILE N:\
 ALL DIMENSIONS ARE IN METRES. DO NOT SCALE

adw Johnson

Hunter Office
 Unit 7/335 Hillsborough Rd
 Warners Bay N.S.W. 2282
 Phone: (02) 4978 5100
 Fax: (02) 4978 5199
 email: hunter@adwjohnson.com.au
 www.adwjohnson.com.au
 ABN 62 129 445 398

CLIENT

altogether.

PROPERTY DESCRIPTION

PROPOSED SUBDIVISION
 STAGE 29
 HUNTLEE

SURVEYED
 Daly.Smith Pty Ltd

DATUM
 GDA94 MGA56 - A.H.D.

PROJECT
 POTABLE WATER, RECYCLED WATER AND
 PRESSURE SEWER RETICULATION

PLAN TITLE
 RECYCLED WATER DETAIL
 PLAN - SHEET 3

PROJECT No.
 240037(29)

DISCIPLINE
 - WAC -

NUMBER
 203

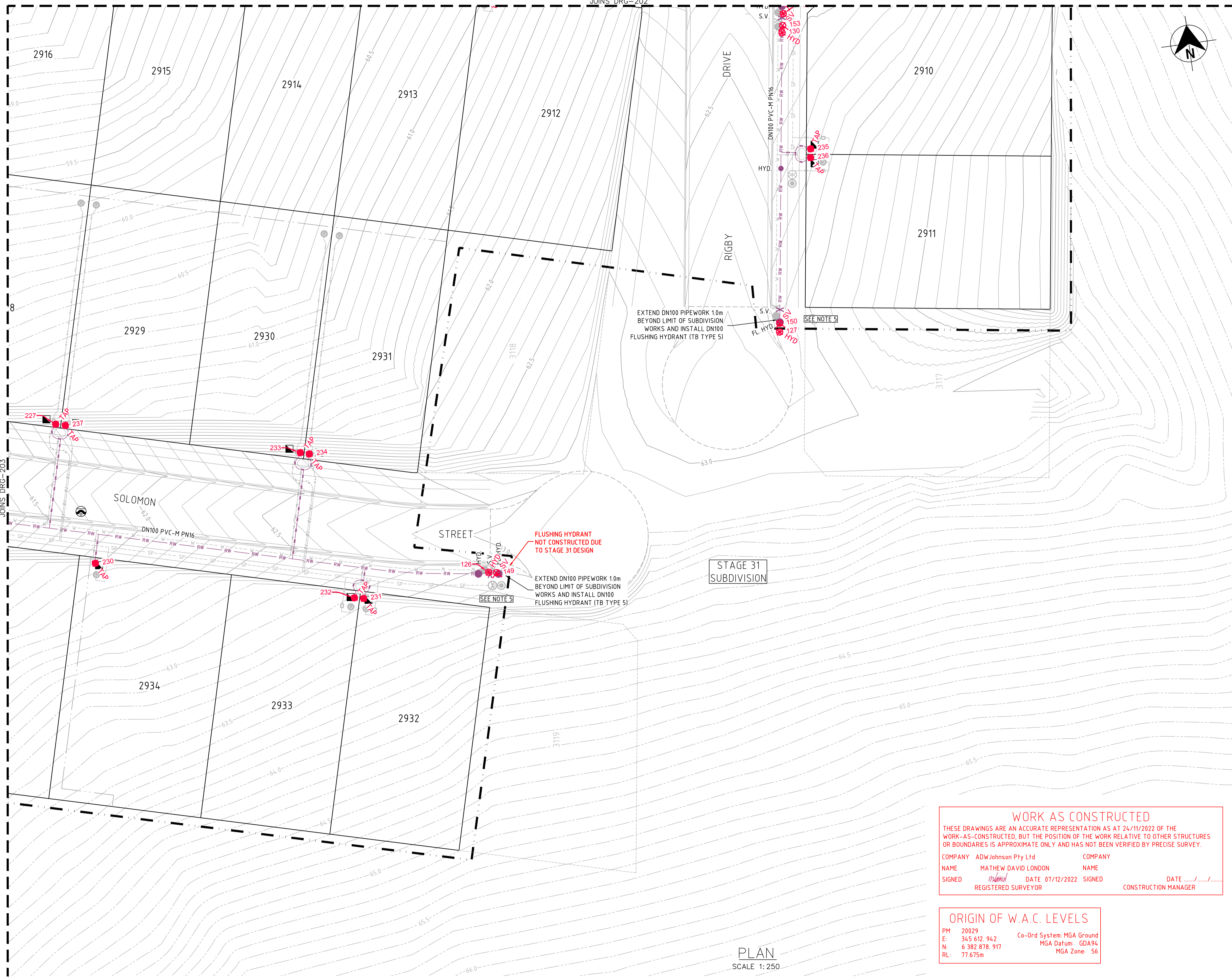
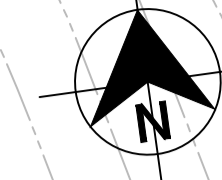
REV.
 3

240037(29)-WAC-009 to 012

JOINS DRG-203

100mm AT FULL SIZE

JOINS DRG-202



LEGEND

| | | |
|-----------|-----------|---|
| — RW — | — RW — | PVC-M RECYCLED WATER RETICULATION |
| — RWS — | — RWS — | RECYCLED WATER PROPERTY SERVICE |
| — W — | — W — | PVC-M POTABLE WATER RETICULATION |
| — PWS — | — PWS — | POTABLE WATER PROPERTY SERVICE |
| — SP — | — SP — | PE PRESSURE SEWER RETICULATION |
| — PS S — | — PS S — | PE PRESSURE SEWER PROPERTY SERVICE |
| — EX RW — | — EX RW — | EXISTING RECYCLED WATER RETICULATION |
| — EX PW — | — EX PW — | EXISTING POTABLE WATER RETICULATION |
| — EX PS — | — EX PS — | EXISTING PRESSURE SEWER RETICULATION |
| — SW — | — SW — | STORMWATER PIPEWORK |
| SV | ✱ | STOP VALVE |
| HYD. | ● | HYDRANT |
| FL HYD. | ● | FLUSHING HYDRANT |
| ■ | ■ | PROPERTY SERVICE CONNECTION |
| ○ | ○ | LAY WATER MAIN OVER STORMWATER PIPE (300mm MIN. VERTICAL CLEARANCE) - REFER TO WAT-1255-H |
| --- | --- | PROPOSED EASEMENT |
| - - - - | - - - - | SUBDIVISION STAGE BOUNDARY |

- RECYCLED WATER PROPERTY SERVICE CONNECTIONS
- TOTAL 42 CONNECTIONS
- SINGLE SERVICES IN ACCORDANCE WITH WAT-1106-V
 - 20 x SHORT SIDE
 - 4 x LONG SIDE
 - SPLIT SERVICES IN ACCORDANCE WITH WAT-1107-V
 - 5 x SHORT SIDE
 - 4 x LONG SIDE

RECYCLED WATER PIPE DATA

| PIPE SIZE (mm) | PIPE MATERIAL | TOTAL LENGTH (m) |
|----------------|---------------|------------------|
| DN100 | PVC-M PN16 | 727 |
| DN25 (LATERAL) | PE100 PN16 | 242 |

- NOTES:**
1. LOCALLY PULL PIPES TO AVOID ANY POTENTIAL CLASH WITH STORMWATER PIT
 2. FOR POTABLE WATER PIPEWORK DETAIL PLANS REFER TO DRGS-101 TO 104.
 3. FOR PRESSURE SEWER PIPEWORK DETAIL PLANS REFER TO DRGS-301 TO 304.
 4. FOR TYPICAL SERVICE CONNECTION DETAILS REFER TO DRG-402.
 5. IF WORKS ARE BEING CONSTRUCTED CONCURRENTLY WITH AN ADJACENT STAGE, DO NOT INSTALL STOP VALVE /FLUSHING HYDRANT UNLESS CONFIRMATION IS GIVEN FROM ALTOGETHER REPRESENTATIVE.

WORK AS CONSTRUCTED

THESE DRAWINGS ARE AN ACCURATE REPRESENTATION AS AT 24/11/2022 OF THE WORK-AS-CONSTRUCTED, BUT THE POSITION OF THE WORK RELATIVE TO OTHER STRUCTURES OR BOUNDARIES IS APPROXIMATE ONLY AND HAS NOT BEEN VERIFIED BY PRECISE SURVEY.

COMPANY ADW Johnson Pty Ltd COMPANY
 NAME MATHEW DAVID LONDON NAME
 SIGNED *MatheW* DATE 07/12/2022 SIGNED DATE
 REGISTERED SURVEYOR CONSTRUCTION MANAGER

ORIGIN OF W.A.C. LEVELS

PM 20029 Co-Ord System: MGA Ground
 E: 345 612.942 MGA Datum: GDA94
 N: 6 382 878.917 MGA Zone: 56
 RL: 77.675m

APPROVED FOR CONSTRUCTION
 BY ADW Johnson Pty Ltd
 Date Approved: 20/12/2021

WORK AS CONSTRUCTED

PLAN
SCALE 1:250

| REV. | DATE | AMENDMENT | DRAWN | CHECK | DESIGN | VERIFY | SCALES |
|------|------------|---------------------|-------|-------|--------|--------|-------------------------|
| A | 13.10.2021 | PRELIMINARY ISSUE | G.S. | C.B. | G.S. | C.B. | SCALE: 1:250 (FULL) |
| B | 22.11.2021 | ALTOGETHER COMMENTS | G.S. | C.B. | G.S. | C.B. | |
| 0 | 20.12.2021 | FOR CONSTRUCTION | G.S. | C.B. | G.S. | C.B. | |
| 1 | 03.06.2022 | FOR CONSTRUCTION | G.S. | C.B. | G.S. | C.B. | |
| 2 | 20.09.2022 | FOR CONSTRUCTION | G.S. | C.B. | G.S. | C.B. | |
| 3 | 13.12.2022 | WORK AS CONSTRUCTED | G.S. | S.S. | G.S. | M.L.O. | |

DESIGN FILE N:\
 ALL DIMENSIONS ARE IN METRES. DO NOT SCALE

adw Johnson

Hunter Office
 Unit 7/335 Hillsborough Rd
 Warners Bay N.S.W. 2282
 Phone: (02) 4978 5100
 Fax: (02) 4978 5199
 email: hunter@adwjohnson.com.au
 www.adwjohnson.com.au
 ABN 62 129 445 398

CLIENT

altogether.

PROPERTY DESCRIPTION

PROPOSED SUBDIVISION
 STAGE 29
 HUNTLEE

SURVEYED
 Daly Smith Pty Ltd

DATUM
 GDA94 MGA56 - A.H.D.

PROJECT POTABLE WATER, RECYCLED WATER AND PRESSURE SEWER RETICULATION

PLAN TITLE
 RECYCLED WATER DETAIL
 PLAN - SHEET 4

PROJECT No. 240037(29) DISCIPLINE - WAC - NUMBER 204 REV. 3

240037(29)-WAC-014 to 017

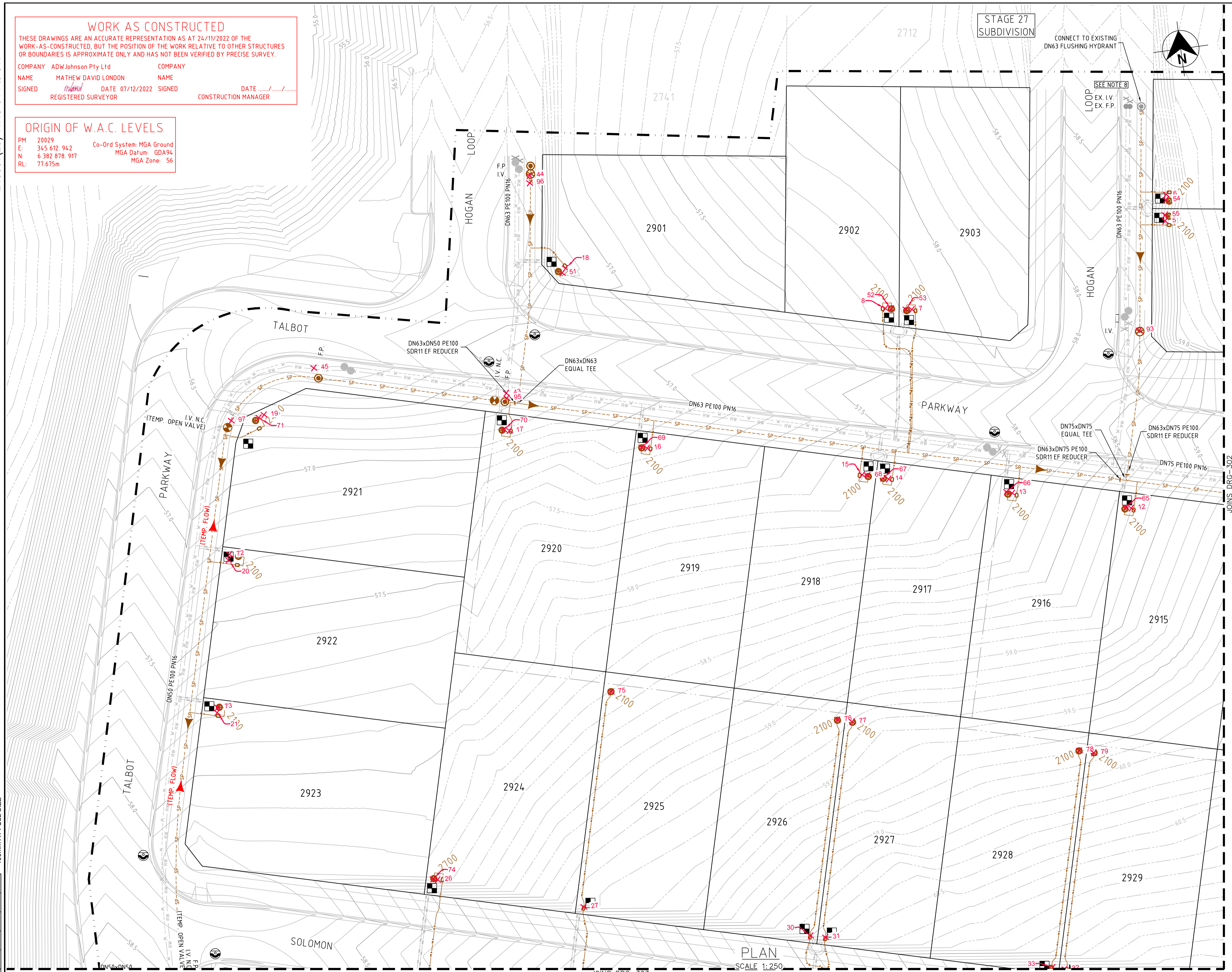


WORK AS CONSTRUCTED
 THESE DRAWINGS ARE AN ACCURATE REPRESENTATION AS AT 24/11/2022 OF THE WORK AS-CONSTRUCTED, BUT THE POSITION OF THE WORK RELATIVE TO OTHER STRUCTURES OR BOUNDARIES IS APPROXIMATE ONLY AND HAS NOT BEEN VERIFIED BY PRECISE SURVEY.

COMPANY ADW Johnson Pty Ltd
 NAME MATHEW DAVID LONDON
 SIGNED [Signature] DATE 07/12/2022 REGISTERED SURVEYOR
 NAME [Signature] DATE [Signature] CONSTRUCTION MANAGER

ORIGIN OF W.A.C. LEVELS

PM 20029
 E: 345 612 942 Co-Ord System: MGA Ground
 N: 6 382 878 917 MGA Datum: GDA94
 RL: 77.675m MGA Zone: 56



- LEGEND**
- SP --- SP PE PRESSURE SEWER RETICULATION
 - PS S --- PS S PE PRESSURE SEWER PROPERTY SERVICE
 - W --- W PVC-M POTABLE WATER RETICULATION
 - PWS --- PWS POTABLE WATER PROPERTY SERVICE
 - RW --- RW PVC-M RECYCLED WATER RETICULATION
 - RWS --- RWS RECYCLED WATER PROPERTY SERVICE
 - EX PS --- EX PS EXISTING PRESSURE SEWER RETICULATION
 - EX PW --- EX PW EXISTING POTABLE WATER RETICULATION
 - EX RW --- EX RW EXISTING RECYCLED WATER RETICULATION
 - SW --- SW STORMWATER PIPEWORK
 - IV --- ISOLATION VALVE
 - IV --- ISOLATION VALVE - NORMALLY CLOSED
 - FP --- FLUSHING POINT
 - WWT --- WASTEWATER COLLECTION TANK AND BOUNDARY KIT
 - PSFD --- PRESSURE SEWER FLOW DIRECTION
 - PSTFD --- PRESSURE SEWER TEMPORARY FLOW DIRECTION
 - PC --- PROPERTY SERVICE CONNECTION
 - LPSM --- LAY PRESSURE SEWER MAIN UNDER STORMWATER PIPE (300mm MIN. VERTICAL CLEARANCE) - REFER TO WAT-1255-H
 - PE --- PROPOSED EASEMENT
 - SSB --- SUBDIVISION STAGE BOUNDARY

■ PRESSURE SEWER PROPERTY SERVICE CONNECTIONS
 TOTAL 42 CONNECTIONS
 • SINGLE SERVICES
 -30 x SHORT SIDE
 -12 x LONG SIDE

| PRESSURE SEWER PIPE DATA | | |
|--------------------------|---------------|------------------|
| PIPE SIZE (mm) | PIPE MATERIAL | TOTAL LENGTH (m) |
| DN90 | PE100 SDR11 | 58 |
| DN75 | PE100 SDR11 | 123 |
| DN63 | PE100 SDR11 | 212 |
| DN50 | PE100 SDR11 | 335 |
| DN4.0 (LATERAL) | PE100 SDR11 | 593 |

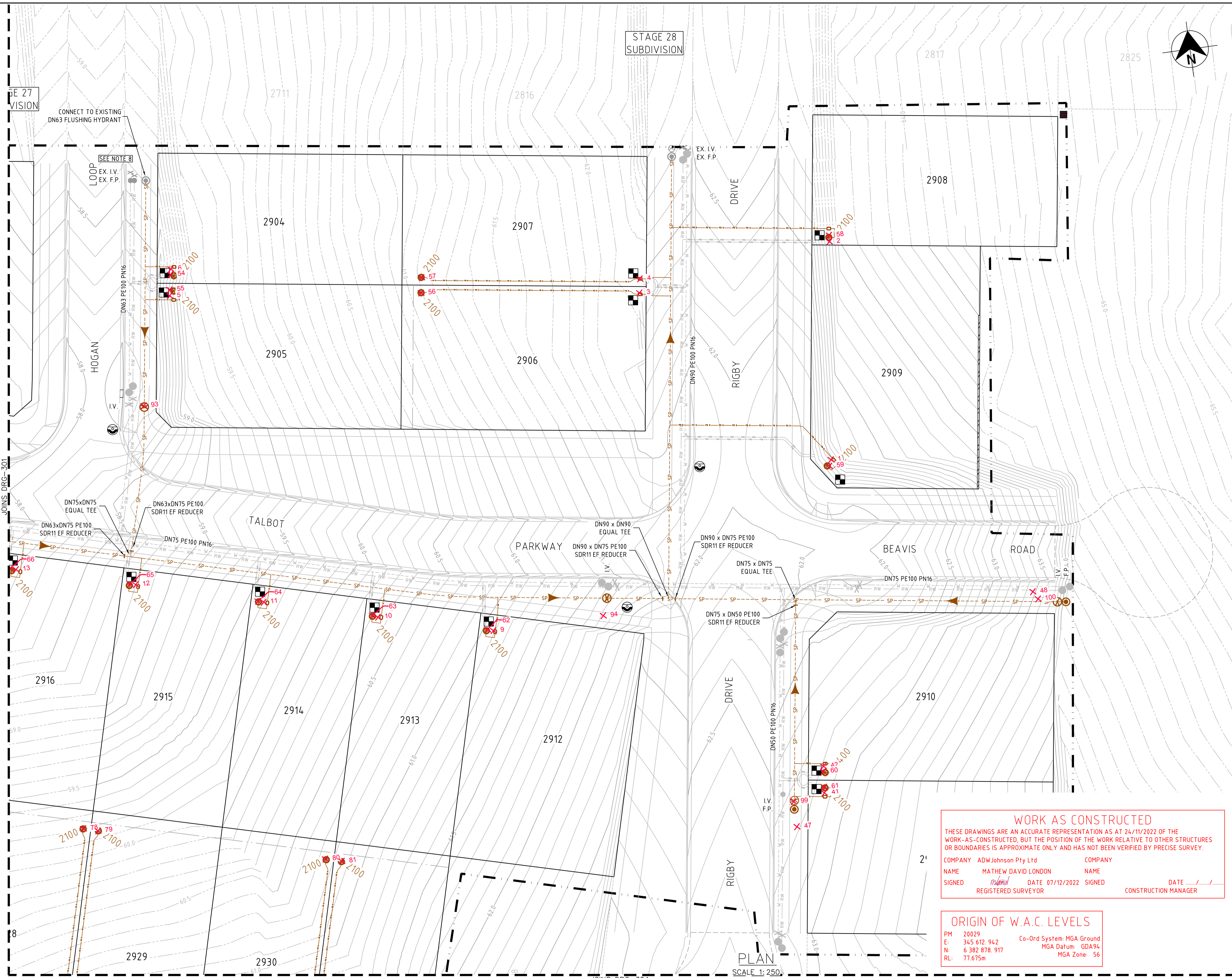
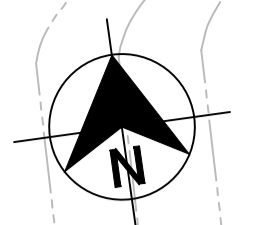
- NOTES:**
- FOR POTABLE WATER PIPEWORK DETAIL PLANS REFER TO DRGS-101 TO 104.
 - FOR RECYCLED WATER PIPEWORK DETAIL PLANS REFER TO DRGS-201 AND 204.
 - FOR TYPICAL SERVICE CONNECTION DETAILS REFER TO DRG-402.
 - FOR FLUSHING POINT TYPICAL DETAILS REFER TO STANDARD DRAWING PSS-1017-FS.
 - FOR FLOW MONITORING POINT TYPICAL DETAILS REFER TO STANDARD DRAWING PSS-1115-FS.
 - CONTRACTOR MAY BEND POLYETHYLENE PIPEWORK IN PLACE OF USING STANDARD FITTINGS WITH A MIN. BENDING RADIUS OF 20 x PIPE DIAM.
 - ALL BENDS SHALL BE ELECTROFUSION SWEEP BENDS (FABRICATED BENDS SHALL NOT BE USED).

APPROVED FOR CONSTRUCTION
 BY ADW Johnson Pty Ltd
 Date Approved: 20/12/2021

WORK AS CONSTRUCTED

| <table border="1"> <thead> <tr> <th>REV.</th> <th>DATE</th> <th>AMENDMENT</th> <th>DRAWN</th> <th>CHECK</th> <th>DESIGN</th> <th>VERIFY</th> <th>SCALES</th> </tr> </thead> <tbody> <tr> <td>A</td> <td>13.10.2021</td> <td>PRELIMINARY ISSUE</td> <td>G.S.</td> <td>C.B.</td> <td>G.S.</td> <td>C.B.</td> <td></td> </tr> <tr> <td>B</td> <td>22.11.2021</td> <td>ALTOGETHER COMMENTS</td> <td>G.S.</td> <td>C.B.</td> <td>G.S.</td> <td>C.B.</td> <td></td> </tr> <tr> <td>0</td> <td>20.12.2021</td> <td>FOR CONSTRUCTION</td> <td>G.S.</td> <td>C.B.</td> <td>G.S.</td> <td>C.B.</td> <td></td> </tr> <tr> <td>1</td> <td>03.06.2022</td> <td>FOR CONSTRUCTION</td> <td>G.S.</td> <td>C.B.</td> <td>G.S.</td> <td>C.B.</td> <td></td> </tr> <tr> <td>2</td> <td>20.09.2022</td> <td>FOR CONSTRUCTION</td> <td>G.S.</td> <td>C.B.</td> <td>G.S.</td> <td>C.B.</td> <td></td> </tr> <tr> <td>3</td> <td>13.12.2022</td> <td>WORK AS CONSTRUCTED</td> <td>G.S.</td> <td>S.S.</td> <td>G.S.</td> <td>M.L.O.</td> <td></td> </tr> </tbody> </table> | REV. | DATE | AMENDMENT | DRAWN | CHECK | DESIGN | VERIFY | SCALES | A | 13.10.2021 | PRELIMINARY ISSUE | G.S. | C.B. | G.S. | C.B. | | B | 22.11.2021 | ALTOGETHER COMMENTS | G.S. | C.B. | G.S. | C.B. | | 0 | 20.12.2021 | FOR CONSTRUCTION | G.S. | C.B. | G.S. | C.B. | | 1 | 03.06.2022 | FOR CONSTRUCTION | G.S. | C.B. | G.S. | C.B. | | 2 | 20.09.2022 | FOR CONSTRUCTION | G.S. | C.B. | G.S. | C.B. | | 3 | 13.12.2022 | WORK AS CONSTRUCTED | G.S. | S.S. | G.S. | M.L.O. | | Hunter Office Unit 7/335 Hillsborough Rd Warners Bay N.S.W. 2282 Phone: (02) 4978 5100 Fax: (02) 4978 5199 email: hunter@adwjohnson.com.au www.adwjohnson.com.au ABN 62 129 445 398 | CLIENT | PROPERTY DESCRIPTION PROPOSED SUBDIVISION STAGE 29 HUNTLEE | PROJECT POTABLE WATER, RECYCLED WATER AND PRESSURE SEWER RETICULATION PLAN TITLE PRESSURE SEWER DETAIL PLAN - SHEET 1 |
|--|--|---------------------|--|----------|--------|-------------|------------|--------|------|--------------------|----------------------|------------|---------|------|------|--|---|------------|---------------------|------|------|------|------|--|---|------------|------------------|------|------|------|------|--|---|------------|------------------|------|------|------|------|--|---|------------|------------------|------|------|------|------|--|---|------------|---------------------|------|------|------|--------|--|---|-------------------|--|--|
| REV. | DATE | AMENDMENT | DRAWN | CHECK | DESIGN | VERIFY | SCALES | | | | | | | | | | | | | | | | | | | | | | | | | | | | | | | | | | | | | | | | | | | | | | | | | | | | | |
| A | 13.10.2021 | PRELIMINARY ISSUE | G.S. | C.B. | G.S. | C.B. | | | | | | | | | | | | | | | | | | | | | | | | | | | | | | | | | | | | | | | | | | | | | | | | | | | | | | |
| B | 22.11.2021 | ALTOGETHER COMMENTS | G.S. | C.B. | G.S. | C.B. | | | | | | | | | | | | | | | | | | | | | | | | | | | | | | | | | | | | | | | | | | | | | | | | | | | | | | |
| 0 | 20.12.2021 | FOR CONSTRUCTION | G.S. | C.B. | G.S. | C.B. | | | | | | | | | | | | | | | | | | | | | | | | | | | | | | | | | | | | | | | | | | | | | | | | | | | | | | |
| 1 | 03.06.2022 | FOR CONSTRUCTION | G.S. | C.B. | G.S. | C.B. | | | | | | | | | | | | | | | | | | | | | | | | | | | | | | | | | | | | | | | | | | | | | | | | | | | | | | |
| 2 | 20.09.2022 | FOR CONSTRUCTION | G.S. | C.B. | G.S. | C.B. | | | | | | | | | | | | | | | | | | | | | | | | | | | | | | | | | | | | | | | | | | | | | | | | | | | | | | |
| 3 | 13.12.2022 | WORK AS CONSTRUCTED | G.S. | S.S. | G.S. | M.L.O. | | | | | | | | | | | | | | | | | | | | | | | | | | | | | | | | | | | | | | | | | | | | | | | | | | | | | | |
| DESIGN FILE N:\ Plotted By: glenns Plot Date: 13/12/22 - 09:18 Cad File: C:\Users\glenns\AppData\Local\Temp\AcPublish_12332\240037(29)-WAC-014 to 017.dwg | ALL DIMENSIONS ARE IN METRES. DO NOT SCALE | | <table border="1"> <tr> <th>SURVEYED</th> <th>DATUM</th> <th>PROJECT No.</th> <th>DISCIPLINE</th> <th>NUMBER</th> <th>REV.</th> </tr> <tr> <td>Daly.Smith Pty Ltd</td> <td>GDA94 MGA56 - A.H.D.</td> <td>240037(29)</td> <td>- WAC -</td> <td>301</td> <td>3</td> </tr> </table> | SURVEYED | DATUM | PROJECT No. | DISCIPLINE | NUMBER | REV. | Daly.Smith Pty Ltd | GDA94 MGA56 - A.H.D. | 240037(29) | - WAC - | 301 | 3 | | | | | | | | | | | | | | | | | | | | | | | | | | | | | | | | | | | | | | | | | | | | | |
| SURVEYED | DATUM | PROJECT No. | DISCIPLINE | NUMBER | REV. | | | | | | | | | | | | | | | | | | | | | | | | | | | | | | | | | | | | | | | | | | | | | | | | | | | | | | | |
| Daly.Smith Pty Ltd | GDA94 MGA56 - A.H.D. | 240037(29) | - WAC - | 301 | 3 | | | | | | | | | | | | | | | | | | | | | | | | | | | | | | | | | | | | | | | | | | | | | | | | | | | | | | | |

240037(29)-WAC-014 to 017



- LEGEND**
- SP PE PRESSURE SEWER RETICULATION
 - PS S PE PRESSURE SEWER PROPERTY SERVICE
 - W PVC-M POTABLE WATER RETICULATION
 - PWS POTABLE WATER PROPERTY SERVICE
 - RW PVC-M RECYCLED WATER RETICULATION
 - RWS RECYCLED WATER PROPERTY SERVICE
 - EX PS EXISTING PRESSURE SEWER RETICULATION
 - EX PW EXISTING POTABLE WATER RETICULATION
 - EX RW EXISTING RECYCLED WATER RETICULATION
 - SW STORMWATER PIPEWORK
 - IV ISOLATION VALVE
 - IV-C ISOLATION VALVE - NORMALLY CLOSED
 - FP FLUSHING POINT
 - WWT WASTEWATER COLLECTION TANK AND BOUNDARY KIT
 - PSFD PRESSURE SEWER FLOW DIRECTION
 - PSFTD PRESSURE SEWER TEMPORARY FLOW DIRECTION
 - PC PROPERTY SERVICE CONNECTION
 - LPSM LAY PRESSURE SEWER MAIN UNDER STORMWATER PIPE (300mm MIN. VERTICAL CLEARANCE) - REFER TO WAT-1255-H
 - PE PROPOSED EASEMENT
 - SSB SUBDIVISION STAGE BOUNDARY

■ PRESSURE SEWER PROPERTY SERVICE CONNECTIONS
 TOTAL 42 CONNECTIONS
 • SINGLE SERVICES
 -30 x SHORT SIDE
 -12 x LONG SIDE

| PRESSURE SEWER PIPE DATA | | |
|--------------------------|---------------|------------------|
| PIPE SIZE (mm) | PIPE MATERIAL | TOTAL LENGTH (m) |
| DN90 | PE100 SDR11 | 58 |
| DN75 | PE100 SDR11 | 123 |
| DN63 | PE100 SDR11 | 212 |
| DN50 | PE100 SDR11 | 335 |
| DN40 (LATERAL) | PE100 SDR11 | 593 |

- NOTES:**
- FOR POTABLE WATER PIPEWORK DETAIL PLANS REFER TO DRGS-101 TO 104.
 - FOR RECYCLED WATER PIPEWORK DETAIL PLANS REFER TO DRGS-201 AND 204.
 - FOR TYPICAL SERVICE CONNECTION DETAILS REFER TO DRG-402.
 - FOR FLUSHING POINT TYPICAL DETAILS REFER TO STANDARD DRAWING PSS-1017-FS.
 - FOR FLOW MONITORING POINT TYPICAL DETAILS REFER TO STANDARD DRAWING PSS-1115-FS.
 - CONTRACTOR MAY BEND POLYETHYLENE PIPEWORK IN PLACE OF USING STANDARD FITTINGS WITH A MIN. BENDING RADIUS OF 20 x PIPE DIAM.
 - ALL BENDS SHALL BE ELECTROFUSION SWEEP BENDS (FABRICATED BENDS SHALL NOT BE USED).
 - ISOLATION VALVE IN NORTHERN END OF STAGE 27 BETWEEN HOGAN LOOP AND RIGBY DRIVE, TO BE CLOSED ON COMMISSIONING OF STAGE 29 SEWER.

WORK AS CONSTRUCTED
 THESE DRAWINGS ARE AN ACCURATE REPRESENTATION AS AT 24/11/2022 OF THE WORK-AS-CONSTRUCTED, BUT THE POSITION OF THE WORK RELATIVE TO OTHER STRUCTURES OR BOUNDARIES IS APPROXIMATE ONLY AND HAS NOT BEEN VERIFIED BY PRECISE SURVEY.

COMPANY: ADW Johnson Pty Ltd
 NAME: MATHEW DAVID LONDON
 SIGNED: [Signature] DATE: 07/12/2022
 REGISTERED SURVEYOR

COMPANY: [Blank]
 NAME: [Blank]
 SIGNED: [Blank] DATE: [Blank]
 CONSTRUCTION MANAGER

ORIGIN OF W.A.C. LEVELS
 PM: 20029
 E: 345 612 942
 N: 6 382 878 917
 RL: 77.675m
 Co-Ord System: MGA Ground
 MGA Datum: GDA94
 MGA Zone: 56

APPROVED FOR CONSTRUCTION
 BY ADW Johnson Pty Ltd
 Date Approved: 20/12/2021

WORK AS CONSTRUCTED

| REV. | DATE | AMENDMENT | DRAWN | CHECK | DESIGN | VERIFY | SCALES |
|------|------------|---------------------|-------|-------|--------|--------|-------------------------|
| A | 13.10.2021 | PRELIMINARY ISSUE | G.S. | C.B. | G.S. | C.B. | SCALE: 1:250 (FULL) |
| B | 22.11.2021 | ALTOGETHER COMMENTS | G.S. | C.B. | G.S. | C.B. | |
| 0 | 20.12.2021 | FOR CONSTRUCTION | G.S. | C.B. | G.S. | C.B. | |
| 1 | 03.06.2022 | FOR CONSTRUCTION | G.S. | C.B. | G.S. | C.B. | |
| 2 | 20.09.2022 | FOR CONSTRUCTION | G.S. | C.B. | G.S. | C.B. | |
| 3 | 13.12.2022 | WORK AS CONSTRUCTED | G.S. | S.S. | G.S. | M.L.O. | |

Hunter Office
 Unit 7/335 Hillsborough Rd
 Warners Bay N.S.W. 2282
 Phone: (02) 4978 5100
 Fax: (02) 4978 5199
 email: hunter@adwjohanson.com.au
 www.adwjohanson.com.au
 ABN 62 129 445 398

CLIENT

PROPERTY DESCRIPTION

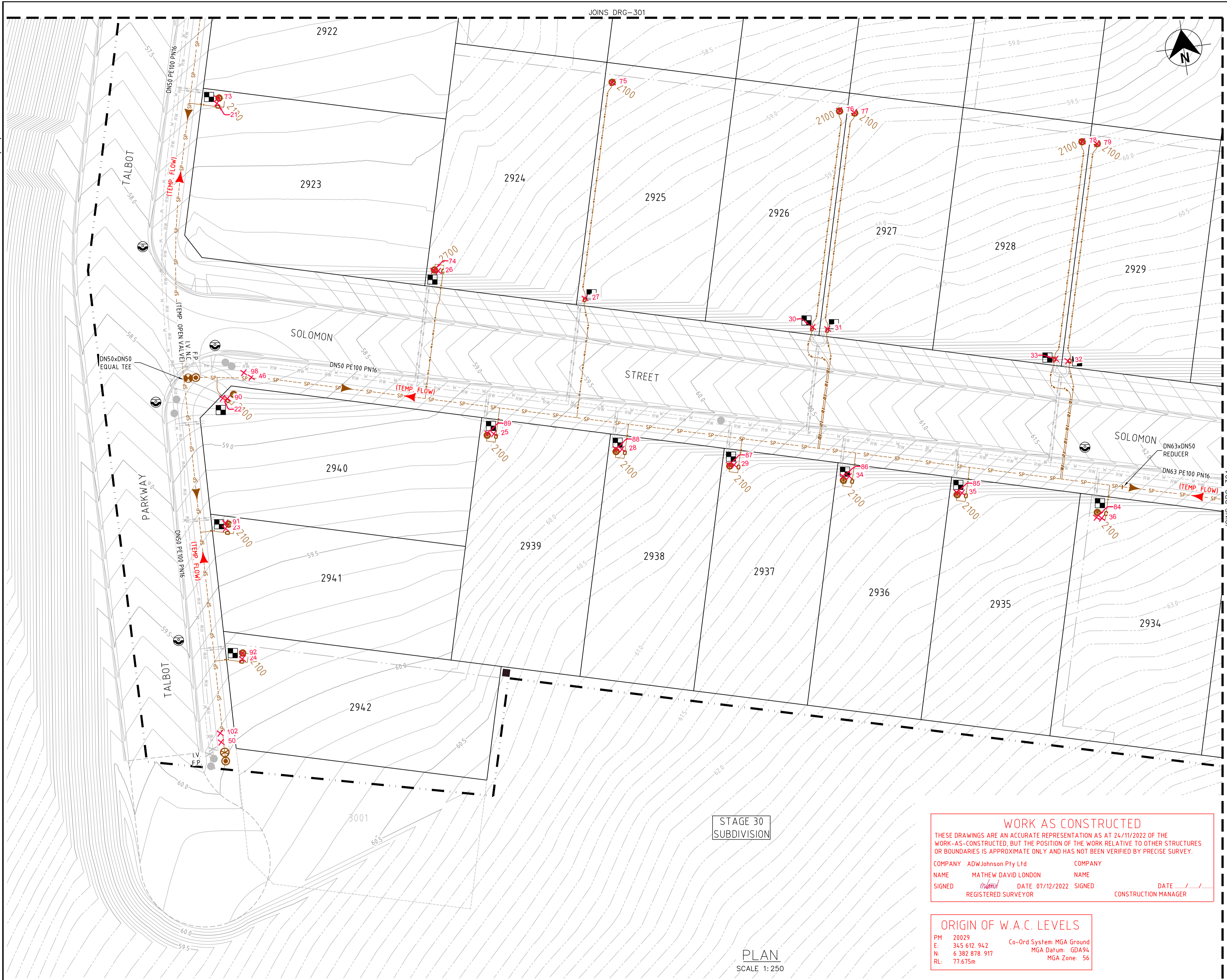
PROPOSED SUBDIVISION
 STAGE 29
 HUNTLEE

PROJECT POTABLE WATER, RECYCLED WATER AND PRESSURE SEWER RETICULATION

PLAN TITLE PRESSURE SEWER DETAIL PLAN - SHEET 2

| | | | |
|-------------|------------|--------|------|
| PROJECT No. | DISCIPLINE | NUMBER | REV. |
| 240037(29) | - WAC - | 302 | 3 |

240037(29)-WAC-014 to 017



- LEGEND**
- SP PE PRESSURE SEWER RETICULATION
 - PS S PE PRESSURE SEWER PROPERTY SERVICE
 - W PVC-M POTABLE WATER RETICULATION
 - PWS POTABLE WATER PROPERTY SERVICE
 - RW PVC-M RECYCLED WATER RETICULATION
 - RWS RECYCLED WATER PROPERTY SERVICE
 - EX PS EXISTING PRESSURE SEWER RETICULATION
 - EX PW EXISTING POTABLE WATER RETICULATION
 - EX RW EXISTING RECYCLED WATER RETICULATION
 - SW STORMWATER PIPEWORK
 - ISOLATION VALVE
 - ISOLATION VALVE - NORMALLY CLOSED
 - FLUSHING POINT
 - WASTEWATER COLLECTION TANK AND BOUNDARY KIT
 - PRESSURE SEWER FLOW DIRECTION
 - PRESSURE SEWER TEMPORARY FLOW DIRECTION
 - PROPERTY SERVICE CONNECTION
 - LAY PRESSURE SEWER MAIN UNDER STORMWATER PIPE (300mm MIN. VERTICAL CLEARANCE) - REFER TO WAT-1255-H
 - PROPOSED EASEMENT
 - SUBDIVISION STAGE BOUNDARY

■ PRESSURE SEWER PROPERTY SERVICE CONNECTIONS
 TOTAL 42 CONNECTIONS
 • SINGLE SERVICES
 -30 x SHORT SIDE
 -12 x LONG SIDE

| PRESSURE SEWER PIPE DATA | | |
|--------------------------|---------------|------------------|
| PIPE SIZE (mm) | PIPE MATERIAL | TOTAL LENGTH (m) |
| DN90 | PE100 SDR11 | 58 |
| DN75 | PE100 SDR11 | 123 |
| DN63 | PE100 SDR11 | 212 |
| DN50 | PE100 SDR11 | 335 |
| DN4.0 (LATERAL) | PE100 SDR11 | 593 |

- NOTES:**
- FOR POTABLE WATER PIPEWORK DETAIL PLANS REFER TO DRGS-101 TO 104.
 - FOR RECYCLED WATER PIPEWORK DETAIL PLANS REFER TO DRGS-201 AND 204.
 - FOR TYPICAL SERVICE CONNECTION DETAILS REFER TO DRG-402.
 - FOR FLUSHING POINT TYPICAL DETAILS REFER TO STANDARD DRAWING PSS-1017-FS.
 - FOR FLOW MONITORING POINT TYPICAL DETAILS REFER TO STANDARD DRAWING PSS-1115-FS.
 - CONTRACTOR MAY BEND POLYETHYLENE PIPEWORK IN PLACE OF USING STANDARD FITTINGS WITH A MIN. BENDING RADIUS OF 20 x PIPE DIAM.
 - ALL BENDS SHALL BE ELECTROFUSION SWEEP BENDS (FABRICATED BENDS SHALL NOT BE USED).

WORK AS CONSTRUCTED
 THESE DRAWINGS ARE AN ACCURATE REPRESENTATION AS AT 24/11/2022 OF THE WORK-AS-CONSTRUCTED, BUT THE POSITION OF THE WORK RELATIVE TO OTHER STRUCTURES OR BOUNDARIES IS APPROXIMATE ONLY AND HAS NOT BEEN VERIFIED BY PRECISE SURVEY.

COMPANY ADW Johnson Pty Ltd COMPANY
 NAME MATHEW DAVID LONDON NAME
 SIGNED *mathew* DATE 07/12/2022 SIGNED DATE
 REGISTERED SURVEYOR CONSTRUCTION MANAGER

ORIGIN OF W.A.C. LEVELS
 PM 20029
 E: 345 612.942 Co-Ord System: MGA Ground
 N: 6 382 878.917 MGA Datum: GDA94
 RL: 77.675m MGA Zone: 56

APPROVED FOR CONSTRUCTION
 BY ADW Johnson Pty Ltd
 Date Approved: 20/12/2021

WORK AS CONSTRUCTED

STAGE 30
SUBDIVISION

PLAN
SCALE 1:250

| REV. | DATE | AMENDMENT | DRAWN | CHECK | DESIGN | VERIFY | SCALES |
|------|------------|---------------------|-------|-------|--------|--------|---|
| A | 13.10.2021 | PRELIMINARY ISSUE | G.S. | C.B. | G.S. | C.B. | SCALE: 1:250 (FULL) ALL DIMENSIONS ARE IN METRES. DO NOT SCALE |
| B | 22.11.2021 | ALTOGETHER COMMENTS | G.S. | C.B. | G.S. | C.B. | |
| 0 | 20.12.2021 | FOR CONSTRUCTION | G.S. | C.B. | G.S. | C.B. | |
| 1 | 03.06.2022 | FOR CONSTRUCTION | G.S. | C.B. | G.S. | C.B. | |
| 2 | 20.09.2022 | FOR CONSTRUCTION | G.S. | C.B. | G.S. | C.B. | |
| 3 | 13.12.2022 | WORK AS CONSTRUCTED | G.S. | S.S. | G.S. | M.L.O. | |

Hunter Office
 Unit 7/335 Hillsborough Rd
 Warners Bay N.S.W. 2282
 Phone: (02) 4978 5100
 Fax: (02) 4978 5199
 email: hunter@adwjohnson.com.au
 www.adwjohnson.com.au
 ABN 62 129 445 398

CLIENT

PROPERTY DESCRIPTION
 PROPOSED SUBDIVISION
 STAGE 29
 HUNTLEE

PROJECT POTABLE WATER, RECYCLED WATER AND PRESSURE SEWER RETICULATION
 PLAN TITLE PRESSURE SEWER DETAIL PLAN - SHEET 3

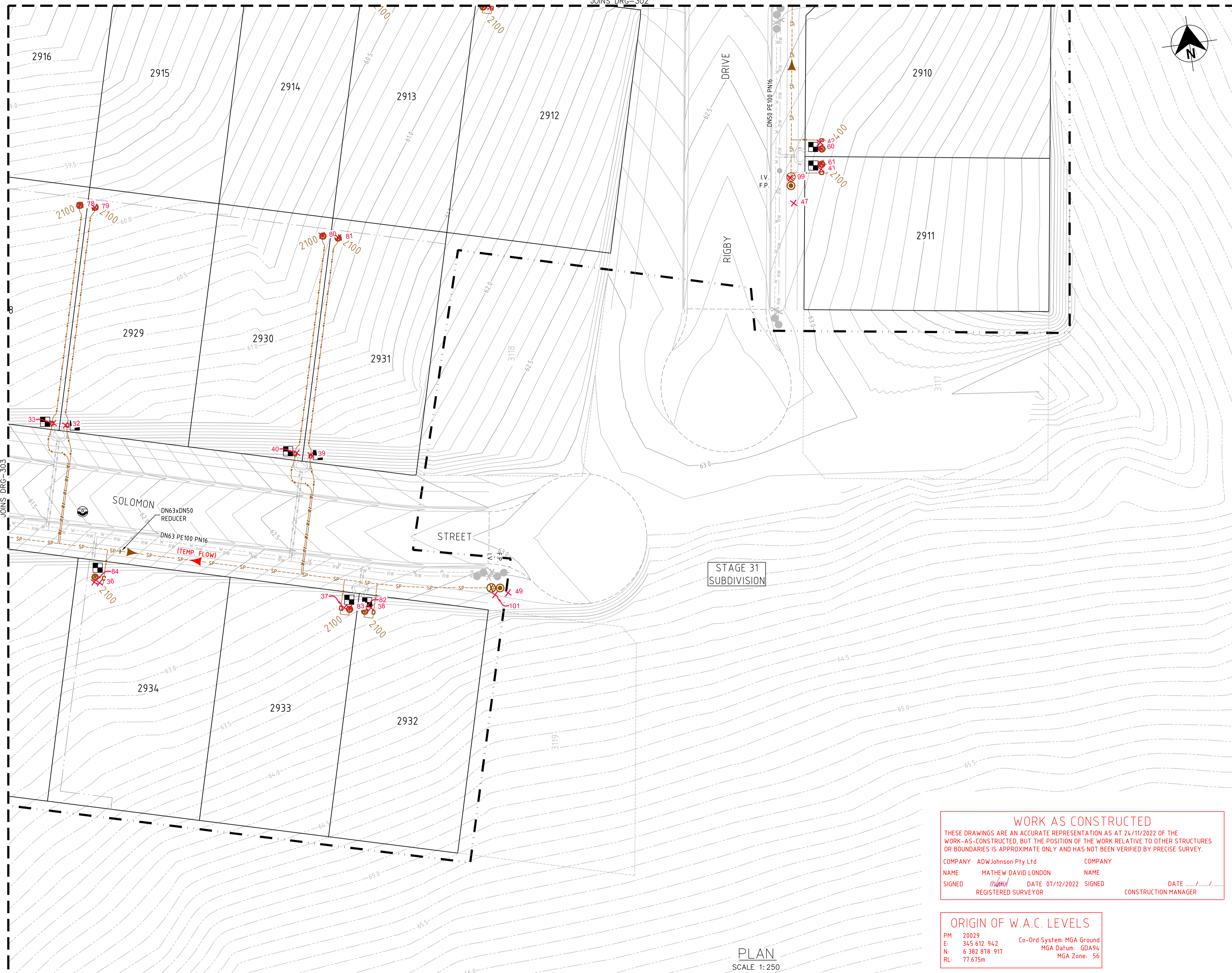
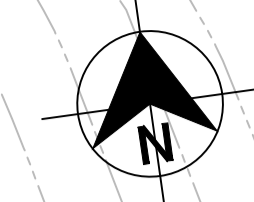
| | | | |
|------------------------|--------------------|------------|--------|
| PROJECT No. 240037(29) | DISCIPLINE - WAC - | NUMBER 303 | REV. 3 |
|------------------------|--------------------|------------|--------|

240037(29)-WAC-014 to 017

JOINS DRG-303

100mm AT FULL SIZE

JOINS DRG-302



- LEGEND**
- SP --- SP PE PRESSURE SEWER RETICULATION
 - PS S --- PS S PE PRESSURE SEWER PROPERTY SERVICE
 - W --- W PVC-M POTABLE WATER RETICULATION
 - PWS --- PWS POTABLE WATER PROPERTY SERVICE
 - RW --- RW PVC-M RECYCLED WATER RETICULATION
 - RWS --- RWS RECYCLED WATER PROPERTY SERVICE
 - EX PS --- EX PS EXISTING PRESSURE SEWER RETICULATION
 - EX PW --- EX PW EXISTING POTABLE WATER RETICULATION
 - EX RW --- EX RW EXISTING RECYCLED WATER RETICULATION
 - SW --- SW STORMWATER PIPEWORK
 - ⊕ ISOLATION VALVE
 - ⊕ ISOLATION VALVE - NORMALLY CLOSED
 - ⊕ FLUSHING POINT
 - ⊕ WASTEWATER COLLECTION TANK AND BOUNDARY KIT
 - PRESSURE SEWER FLOW DIRECTION
 - PRESSURE SEWER TEMPORARY FLOW DIRECTION
 - ⊠ PROPERTY SERVICE CONNECTION
 - ⊕ LAY PRESSURE SEWER MAIN UNDER STORMWATER PIPE (300mm MIN. VERTICAL CLEARANCE) - REFER TO WAT-1255-H
 - - - PROPOSED EASEMENT
 - - - SUBDIVISION STAGE BOUNDARY

■ PRESSURE SEWER PROPERTY SERVICE CONNECTIONS
 TOTAL 42 CONNECTIONS
 • SINGLE SERVICES
 -30 x SHORT SIDE
 -12 x LONG SIDE

| PRESSURE SEWER PIPE DATA | | |
|--------------------------|---------------|------------------|
| PIPE SIZE (mm) | PIPE MATERIAL | TOTAL LENGTH (m) |
| DN90 | PE100 SDR11 | 58 |
| DN75 | PE100 SDR11 | 123 |
| DN63 | PE100 SDR11 | 212 |
| DN50 | PE100 SDR11 | 335 |
| DN4.0 (LATERAL) | PE100 SDR11 | 593 |

- NOTES:**
- FOR POTABLE WATER PIPEWORK DETAIL PLANS REFER TO DRGS-101 TO 104.
 - FOR RECYCLED WATER PIPEWORK DETAIL PLANS REFER TO DRGS-201 AND 204.
 - FOR TYPICAL SERVICE CONNECTION DETAILS REFER TO DRG-402.
 - FOR FLUSHING POINT TYPICAL DETAILS REFER TO STANDARD DRAWING PSS-1017-FS.
 - FOR FLOW MONITORING POINT TYPICAL DETAILS REFER TO STANDARD DRAWING PSS-1115-FS.
 - CONTRACTOR MAY BEND POLYETHYLENE PIPEWORK IN PLACE OF USING STANDARD FITTINGS WITH A MIN. BENDING RADIUS OF 20 x PIPE DIAM.
 - ALL BENDS SHALL BE ELECTROFUSION SWEEP BENDS (FABRICATED BENDS SHALL NOT BE USED).

WORK AS CONSTRUCTED
 THESE DRAWINGS ARE AN ACCURATE REPRESENTATION AS AT 24/11/2022 OF THE WORK-AS-CONSTRUCTED, BUT THE POSITION OF THE WORK RELATIVE TO OTHER STRUCTURES OR BOUNDARIES IS APPROXIMATE ONLY AND HAS NOT BEEN VERIFIED BY PRECISE SURVEY.

COMPANY ADW Johnson Pty Ltd COMPANY
 NAME MATHEW DAVID LONDON NAME
 SIGNED *MatheW* DATE 07/12/2022 SIGNED DATE
 REGISTERED SURVEYOR CONSTRUCTION MANAGER

ORIGIN OF W.A.C. LEVELS
 PM 20029 Co-Ord System: MGA Ground
 E: 345 612.942 MGA Datum: GDA94
 N: 6 382 878.917 MGA Zone: 56
 RL: 77.675m

APPROVED FOR CONSTRUCTION
 BY ADW Johnson Pty Ltd
 Date Approved: 20/12/2021

WORK AS CONSTRUCTED

PLAN
SCALE 1:250

| REV. | DATE | AMENDMENT | DRAWN | CHECK | DESIGN | VERIFY | SCALES |
|------|------------|---------------------|-------|-------|--------|--------|-------------------------|
| A | 13.10.2021 | PRELIMINARY ISSUE | G.S. | C.B. | G.S. | C.B. | SCALE: 1:250 (FULL) |
| B | 22.11.2021 | ALTOGETHER COMMENTS | G.S. | C.B. | G.S. | C.B. | |
| 0 | 20.12.2021 | FOR CONSTRUCTION | G.S. | C.B. | G.S. | C.B. | |
| 1 | 03.06.2022 | FOR CONSTRUCTION | G.S. | C.B. | G.S. | C.B. | |
| 2 | 20.09.2022 | FOR CONSTRUCTION | G.S. | C.B. | G.S. | C.B. | |
| 3 | 13.12.2022 | WORK AS CONSTRUCTED | G.S. | S.S. | G.S. | M.L.O. | |

adw Johnson
 Hunter Office
 Unit 7/335 Hillsborough Rd
 Warners Bay N.S.W. 2282
 Phone: (02) 4978 5100
 Fax: (02) 4978 5199
 email: hunter@adwjohnson.com.au
 www.adwjohnson.com.au
 ABN 62 129 445 398

CLIENT

PROPERTY DESCRIPTION
 PROPOSED SUBDIVISION
 STAGE 29
 HUNTLEE

SURVEYED
 Daly.Smith Pty Ltd

DATUM
 GDA94 MGA56 - A.H.D.

PROJECT
 POTABLE WATER, RECYCLED WATER AND
 PRESSURE SEWER RETICULATION

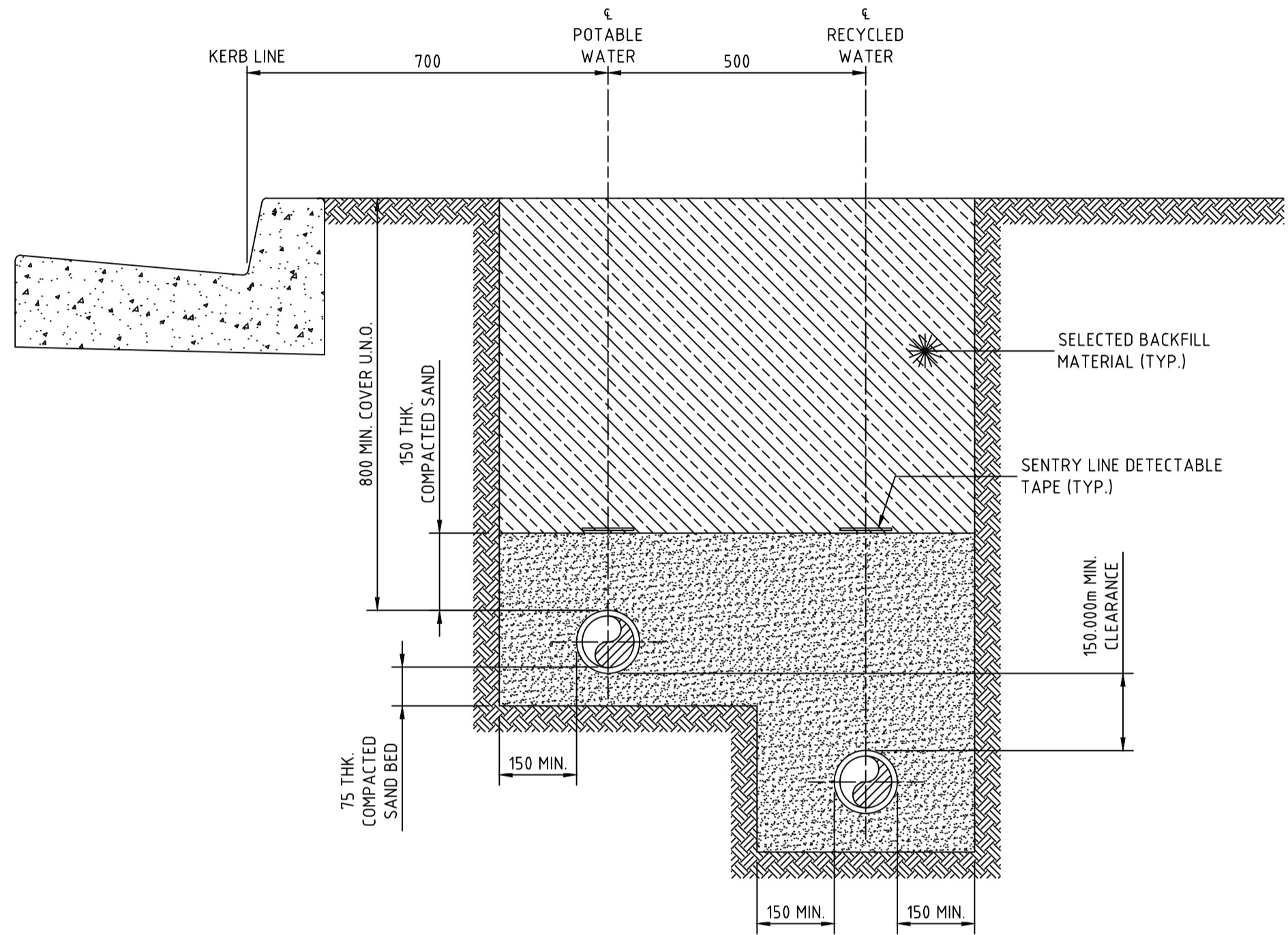
PLAN TITLE
 PRESSURE SEWER DETAIL
 PLAN - SHEET 4

PROJECT No.
 240037(29)

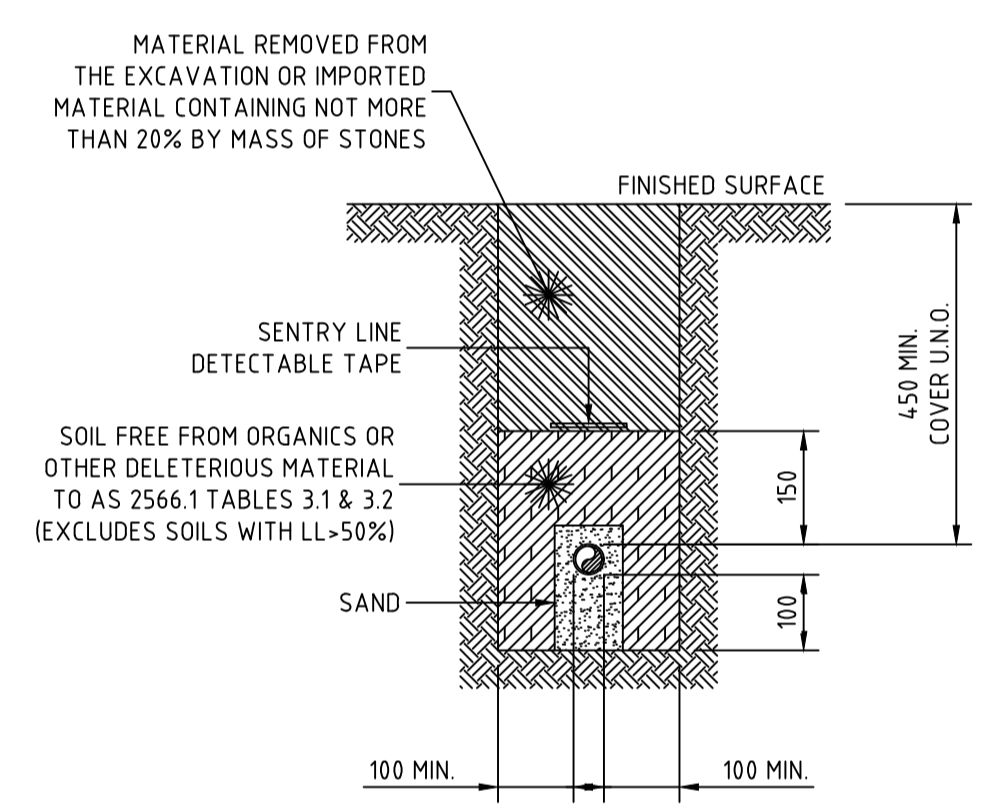
DISCIPLINE
 - WAC -

NUMBER
 304

REV.
 3



STREET PRESSURE MAIN
TYPICAL DETAIL
SCALE 1:10



PRIVATE PROPERTY PRESSURE MAIN
TYPICAL DETAIL
SCALE 1:10

- NOTES:
- ALL POLYETHYLENE FITTINGS SHALL BE JOINED USING ELECTROFUSION JOINTING TECHNIQUES IN ACCORDANCE WITH MANUFACTURERS REQUIREMENTS. ROTATE BENDS AS NECESSARY.

WORK AS CONSTRUCTED
 THESE DRAWINGS ARE AN ACCURATE REPRESENTATION AS AT 24/11/2022 OF THE WORK-AS-CONSTRUCTED, BUT THE POSITION OF THE WORK RELATIVE TO OTHER STRUCTURES OR BOUNDARIES IS APPROXIMATE ONLY AND HAS NOT BEEN VERIFIED BY PRECISE SURVEY.
 COMPANY ADW Johnson Pty Ltd
 NAME MATHEW DAVID LONDON
 SIGNED [Signature] DATE 07/12/2022
 REGISTERED SURVEYOR

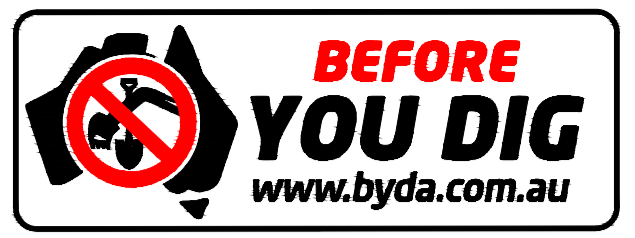
ORIGIN OF W.A.C. LEVELS
 PM 20029
 E: 345 612.942
 N: 6 382 878.917
 RL: 77.675m
 Co-Ord System: MGA Ground
 MGA Datum: GDA94
 MGA Zone: 56

APPROVED FOR CONSTRUCTION
 BY ADW Johnson Pty Ltd
 Date Approved: 20/12/2021

WORK AS CONSTRUCTED

| <table border="1"> <thead> <tr> <th>REV.</th> <th>DATE</th> <th>AMENDMENT</th> <th>DRAWN</th> <th>CHECK</th> <th>DESIGN</th> <th>VERIFY</th> </tr> </thead> <tbody> <tr> <td>A</td> <td>13.10.2021</td> <td>PRELIMINARY ISSUE</td> <td>G.S.</td> <td>C.B.</td> <td>G.S.</td> <td>C.B.</td> </tr> <tr> <td>B</td> <td>22.11.2021</td> <td>ALTOGETHER COMMENTS</td> <td>G.S.</td> <td>C.B.</td> <td>G.S.</td> <td>C.B.</td> </tr> <tr> <td>0</td> <td>20.12.2021</td> <td>FOR CONSTRUCTION</td> <td>G.S.</td> <td>C.B.</td> <td>G.S.</td> <td>C.B.</td> </tr> <tr> <td>1</td> <td>03.06.2022</td> <td>FOR CONSTRUCTION</td> <td>G.S.</td> <td>C.B.</td> <td>G.S.</td> <td>C.B.</td> </tr> <tr> <td>2</td> <td>20.09.2022</td> <td>FOR CONSTRUCTION</td> <td>G.S.</td> <td>C.B.</td> <td>G.S.</td> <td>C.B.</td> </tr> <tr> <td>3</td> <td>13.12.2022</td> <td>WORK AS CONSTRUCTED</td> <td>G.S.</td> <td>S.S.</td> <td>G.S.</td> <td>M.L.O.</td> </tr> </tbody> </table> | REV. | DATE | AMENDMENT | DRAWN | CHECK | DESIGN | VERIFY | A | 13.10.2021 | PRELIMINARY ISSUE | G.S. | C.B. | G.S. | C.B. | B | 22.11.2021 | ALTOGETHER COMMENTS | G.S. | C.B. | G.S. | C.B. | 0 | 20.12.2021 | FOR CONSTRUCTION | G.S. | C.B. | G.S. | C.B. | 1 | 03.06.2022 | FOR CONSTRUCTION | G.S. | C.B. | G.S. | C.B. | 2 | 20.09.2022 | FOR CONSTRUCTION | G.S. | C.B. | G.S. | C.B. | 3 | 13.12.2022 | WORK AS CONSTRUCTED | G.S. | S.S. | G.S. | M.L.O. | SCALES 0 0.1 0.2 0.3 0.4 A1 / A3 1:10 / 1:20 | Hunter Office Unit 7/335 Hillsborough Rd Warners Bay N.S.W. 2282 Phone: (02) 4978 5100 Fax: (02) 4978 5199 email: hunter@adwjohnson.com.au www.adwjohnson.com.au ABN 62 129 445 398 | CLIENT | PROPERTY DESCRIPTION PROPOSED SUBDIVISION STAGE 29 HUNTLEE | PROJECT POTABLE WATER, RECYCLED WATER AND PRESSURE SEWER RETICULATION PLAN TITLE TYPICAL PIPEWORK TRENCHING DETAILS | PROJECT No. 240037(29) | DISCIPLINE - WAC - | NUMBER 401 | REV. 3 |
|--|------------|---------------------|-----------|-------|--------|--------|--------|---|------------|-------------------|------|------|------|------|---|------------|---------------------|------|------|------|------|---|------------|------------------|------|------|------|------|---|------------|------------------|------|------|------|------|---|------------|------------------|------|------|------|------|---|------------|---------------------|------|------|------|--------|--|--|--------|---|--|---------------------------|-----------------------|---------------|-----------|
| REV. | DATE | AMENDMENT | DRAWN | CHECK | DESIGN | VERIFY | | | | | | | | | | | | | | | | | | | | | | | | | | | | | | | | | | | | | | | | | | | | | | | | | | | | |
| A | 13.10.2021 | PRELIMINARY ISSUE | G.S. | C.B. | G.S. | C.B. | | | | | | | | | | | | | | | | | | | | | | | | | | | | | | | | | | | | | | | | | | | | | | | | | | | | |
| B | 22.11.2021 | ALTOGETHER COMMENTS | G.S. | C.B. | G.S. | C.B. | | | | | | | | | | | | | | | | | | | | | | | | | | | | | | | | | | | | | | | | | | | | | | | | | | | | |
| 0 | 20.12.2021 | FOR CONSTRUCTION | G.S. | C.B. | G.S. | C.B. | | | | | | | | | | | | | | | | | | | | | | | | | | | | | | | | | | | | | | | | | | | | | | | | | | | | |
| 1 | 03.06.2022 | FOR CONSTRUCTION | G.S. | C.B. | G.S. | C.B. | | | | | | | | | | | | | | | | | | | | | | | | | | | | | | | | | | | | | | | | | | | | | | | | | | | | |
| 2 | 20.09.2022 | FOR CONSTRUCTION | G.S. | C.B. | G.S. | C.B. | | | | | | | | | | | | | | | | | | | | | | | | | | | | | | | | | | | | | | | | | | | | | | | | | | | | |
| 3 | 13.12.2022 | WORK AS CONSTRUCTED | G.S. | S.S. | G.S. | M.L.O. | | | | | | | | | | | | | | | | | | | | | | | | | | | | | | | | | | | | | | | | | | | | | | | | | | | | |

240037(29)-WAC-019 to 021

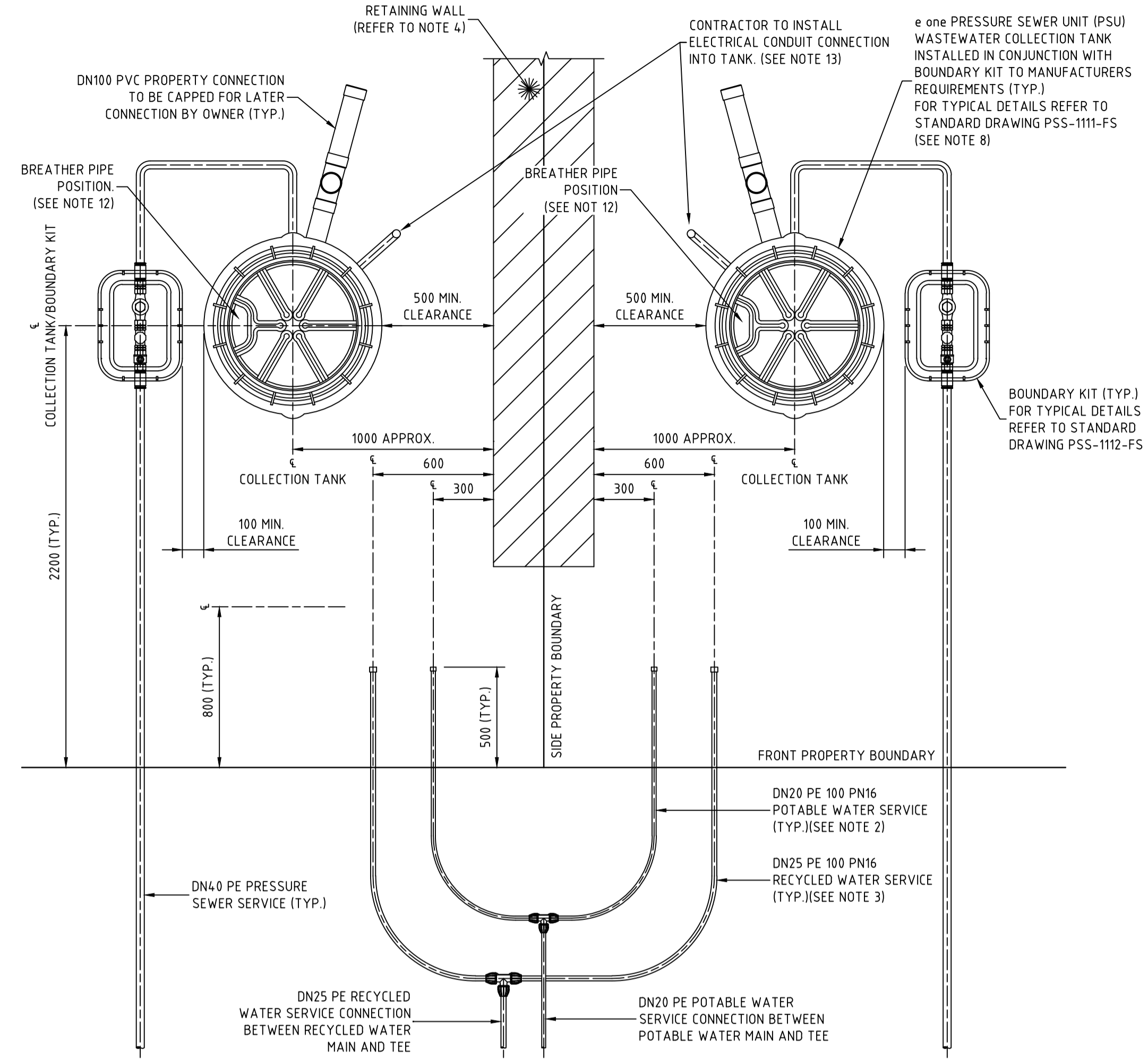
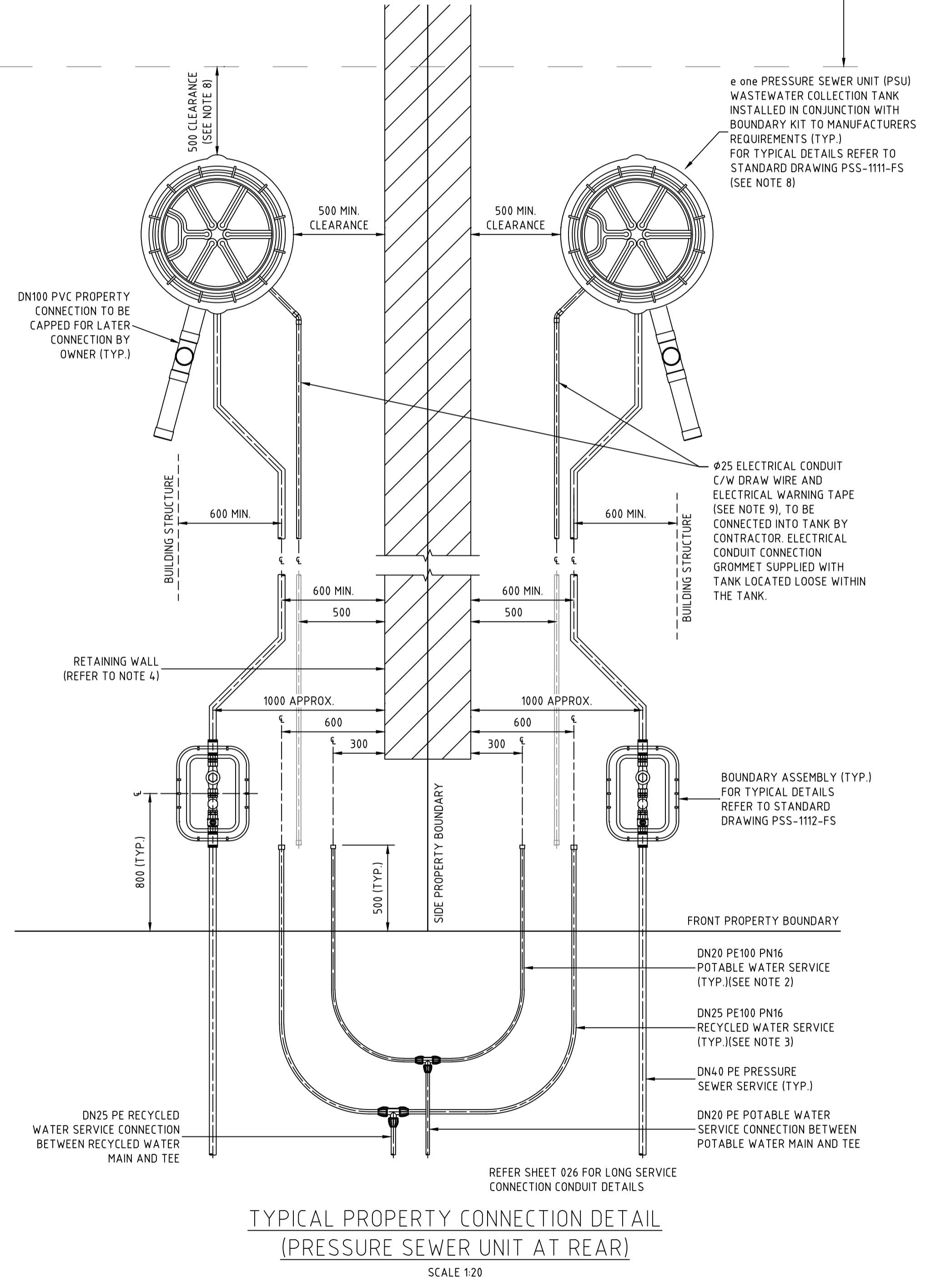


WORK AS CONSTRUCTED
 THESE DRAWINGS ARE AN ACCURATE REPRESENTATION AS AT 24/11/2022 OF THE WORK-AS-CONSTRUCTED, BUT THE POSITION OF THE WORK RELATIVE TO OTHER STRUCTURES OR BOUNDARIES IS APPROXIMATE ONLY AND HAS NOT BEEN VERIFIED BY PRECISE SURVEY.

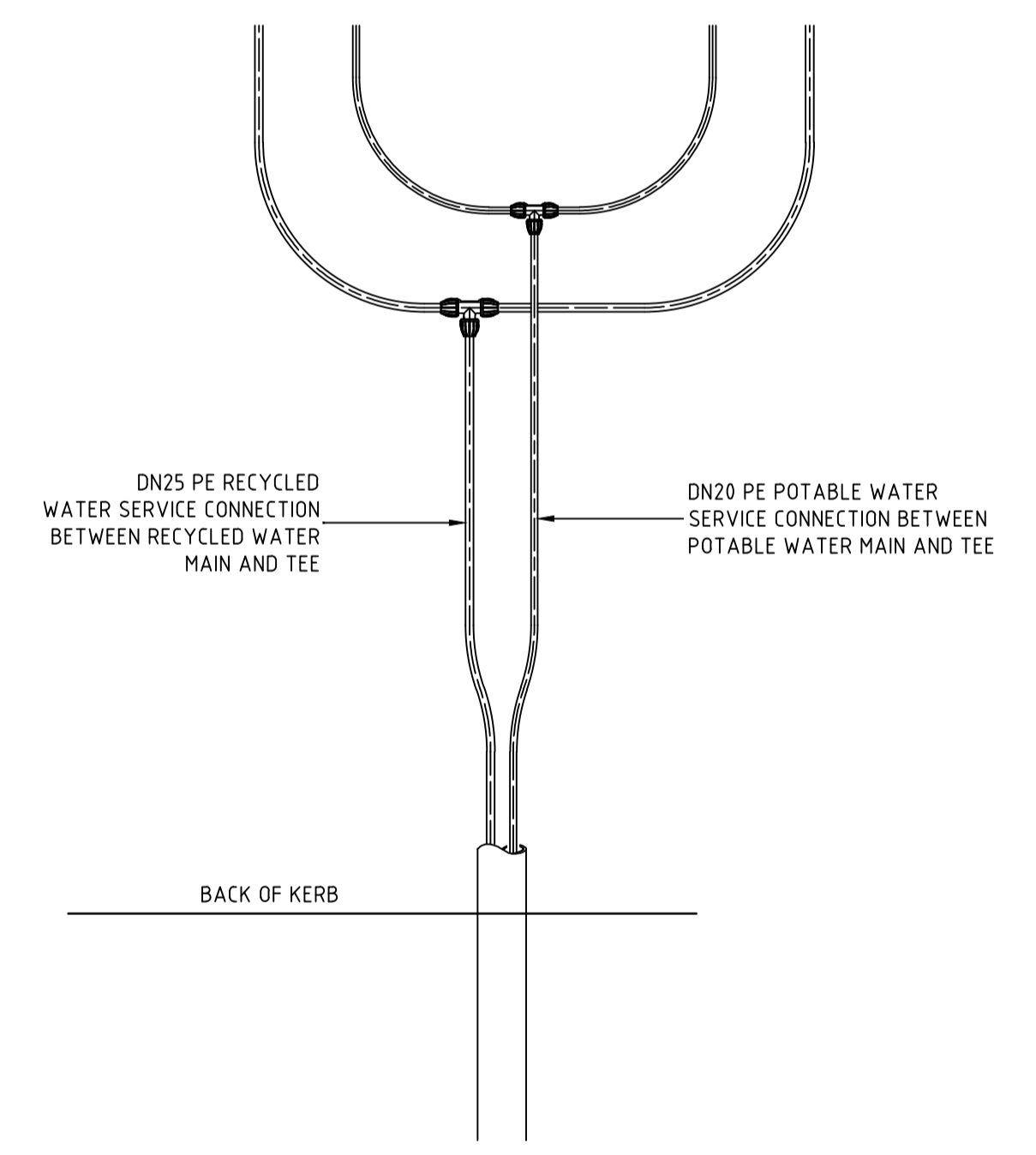
COMPANY ADW Johnson Pty Ltd COMPANY
 NAME MATHEW DAVID LONDON NAME
 SIGNED [Signature] DATE 07/12/2022 SIGNED [Signature] DATE
 REGISTERED SURVEYOR CONSTRUCTION MANAGER

ORIGIN OF W.A.C. LEVELS

PM 20029 Co-Ord System: MGA Ground
 E: 345 612.942 MGA Datum: GDA94
 N: 6 382 878.917 MGA Zone: 56
 RL: 77.675m



- NOTES:**
- PROPERTY SERVICE CONNECTIONS SHALL BE IN ACCORDANCE WITH WSA STANDARD DRAWINGS FOR DUAL WATER SUPPLY SYSTEMS (SYDNEY WATER VERSION) (SUPPLEMENT TO WSA 03-2011).
 - DN20 PE100 PN16 POTABLE WATER SERVICE TO EXTEND 500mm BEYOND PROPERTY BOUNDARY AND BE CAPPED FOR LATER CONNECTION BY PROPERTY OWNER.
 - DN25 PE100 PN16 RECYCLED WATER SERVICE TO EXTEND 500mm BEYOND PROPERTY BOUNDARY AND BE CAPPED FOR LATER CONNECTION BY PROPERTY OWNER.
 - FOR PROPERTY CONNECTIONS WHERE A RETAINING WALL IS NOT PRESENT, SERVICES ARE TO BE OFFSET FROM THE PROPERTY BOUNDARY.
 - WHERE SERVICE CONNECTIONS ARE LOCATED ADJACENT TO TELSTRA PITS/ELECTRICAL PILLARS, A MINIMUM CLEARANCE OF 200mm BETWEEN PITS AND SERVICE PIPEWORK IS TO BE MAINTAINED.
 - MINIMUM BENDING RADIUS FOR PE PIPEWORK IS TO BE 20 x PIPE DIAMETER.
 - ALL POLYETHYLENE FITTINGS SHALL BE JOINED USING ELECTROFUSION JOINTING TECHNIQUES IN ACCORDANCE WITH MANUFACTURERS REQUIREMENTS. ROTATE BENDS AS NECESSARY.
 - PRESSURE SEWER UNIT (PSU) IS TO HAVE 2150mm CLEARANCE FROM BUILDING STRUCTURES.
 - Ø25 ELECTRICAL CONDUIT IS TO EXTEND FROM CONNECTION WITH PRESSURE SEWER UNIT (PSU) TO NOM. 500mm INSIDE FRONT PROPERTY BOUNDARY AND BE CAPPED. ELECTRICAL CONDUIT IS TO BE HEAVY DUTY ORANGE. INSTALL IN ACCORDANCE WITH AS3000 AT MIN 500mm COVER. ALL CONDUIT BENDS ARE TO BE LARGE RADIUS SWEEP BENDS.
 - FOR MORE INFORMATION REFER TO FLOW SYSTEMS STANDARD DRAWING FSI-1000-FS.
 - FOR ALTERNATE TANK AND BOUNDARY CONFIGURATIONS, AND DETAILS FOR TANKS INSTALLED ON PROPERTIES WITH BATTERS AND RETAINING WALLS, REFER TO FLOW SYSTEMS STANDARD DRAWINGS FSI-SK03A-FS AND FSI-SK03B-FS.
 - POSITION TANK LID SUCH THAT BREATHER PIPE LOCATION IS ON THE DOWNSLOPE SIDE OF THE BLOCK WHERE POSSIBLE.
 - CONTRACTOR TO INSTALL ELECTRICAL CONDUIT CONNECTION IN ACCORDANCE WITH AS3000 AT MIN 500mm COVER. ELECTRICAL GROMMET SUPPLIED WITH TANK AND LOCATED LOOSE WITHIN TANK. Ø25 CONDUIT TO BE PROVIDED WITH LONG RADIUS SWEEP BEND INTO THE VERTICAL POSITION AND LEFT CAPPED ABOVE GROUND LEVEL FOR FUTURE ELECTRICAL CONNECTION BY ELECTRICIAN ONCE DWELLING IS CONSTRUCTED.



- NOTES:**
- PROPERTY SERVICE CONNECTIONS SHALL BE IN ACCORDANCE WITH WSA STANDARD DRAWINGS FOR DUAL WATER SUPPLY SYSTEMS (SYDNEY WATER VERSION) (SUPPLEMENT TO WSA 03-2011).
 - DN20 PE100 PN16 POTABLE WATER SERVICE TO EXTEND 500mm BEYOND PROPERTY BOUNDARY AND BE CAPPED FOR LATER CONNECTION BY PROPERTY OWNER.
 - DN25 PE100 PN16 RECYCLED WATER SERVICE TO EXTEND 500mm BEYOND PROPERTY BOUNDARY AND BE CAPPED FOR LATER CONNECTION BY PROPERTY OWNER.
 - FOR PROPERTY CONNECTIONS WHERE A RETAINING WALL IS NOT PRESENT, SERVICES ARE TO BE OFFSET FROM THE PROPERTY BOUNDARY.
 - WHERE SERVICE CONNECTIONS ARE LOCATED ADJACENT TO TELSTRA PITS/ELECTRICAL PILLARS, A MINIMUM CLEARANCE OF 200mm BETWEEN PITS AND SERVICE PIPEWORK IS TO BE MAINTAINED.
 - MINIMUM BENDING RADIUS FOR PE PIPEWORK IS TO BE 20 x PIPE DIAMETER.
 - ALL POLYETHYLENE FITTINGS SHALL BE JOINED USING ELECTROFUSION JOINTING TECHNIQUES IN ACCORDANCE WITH MANUFACTURERS REQUIREMENTS. ROTATE BENDS AS NECESSARY.
 - PRESSURE SEWER UNIT (PSU) IS TO HAVE 500mm CLEARANCE FROM INTER ALLOTMENT DRAINAGE EASEMENT (IF PRESENT), REAR PROPERTY BOUNDARY RETAINING WALL (IF PRESENT) OR REAR PROPERTY BOUNDARY. PRESSURE SEWER UNIT (PSU) IS TO HAVE 2150mm CLEARANCE FROM BUILDING STRUCTURES.
 - Ø25 ELECTRICAL CONDUIT IS TO EXTEND FROM CONNECTION WITH PRESSURE SEWER UNIT (PSU) TO NOM. 500mm INSIDE FRONT PROPERTY BOUNDARY AND BE CAPPED. ELECTRICAL CONDUIT IS TO BE HEAVY DUTY ORANGE. ALL CONDUIT BENDS ARE TO BE LARGE RADIUS SWEEP BENDS.
 - FOR MORE INFORMATION REFER TO FLOW SYSTEMS STANDARD DRAWING FSI-1000-FS.
 - FOR ALTERNATE TANK AND BOUNDARY CONFIGURATIONS, AND DETAILS FOR TANKS INSTALLED ON PROPERTIES WITH BATTERS AND RETAINING WALLS, REFER TO FLOW SYSTEMS STANDARD DRAWINGS FSI-SK03A-FS AND FSI-SK03B-FS.
 - POSITION TANK LID SUCH THAT BREATHER PIPE LOCATION IS ON THE DOWNSLOPE SIDE OF THE BLOCK WHERE POSSIBLE.
 - CONTRACTOR TO INSTALL ELECTRICAL CONDUIT CONNECTION IN ACCORDANCE WITH AS3000 AT MIN 500mm COVER. ELECTRICAL GROMMET SUPPLIED WITH TANK AND LOCATED LOOSE WITHIN TANK. Ø25 CONDUIT TO BE PROVIDED WITH LONG RADIUS SWEEP BEND INTO THE VERTICAL POSITION AND LEFT CAPPED ABOVE GROUND LEVEL FOR FUTURE ELECTRICAL CONNECTION BY ELECTRICIAN ONCE DWELLING IS CONSTRUCTED.

APPROVED FOR CONSTRUCTION
 BY ADW Johnson Pty Ltd
 Date Approved: 20/12/2021

WORK AS CONSTRUCTED

| REV. | DATE | AMENDMENT | DRAWN | CHECK | DESIGN | VERIFY | SCALES |
|------|------------|----------------------------|-------------|-------------|-------------|---------------|---------------------------|
| A | 13.10.2021 | PRELIMINARY ISSUE | G.S. | C.B. | G.S. | C.B. | 0 0.1 0.2 0.3 0.4 A1 / A3 |
| B | 22.11.2021 | ALTOGETHER COMMENTS | G.S. | C.B. | G.S. | C.B. | 1:10 / 1:20 |
| 0 | 20.12.2021 | FOR CONSTRUCTION | G.S. | C.B. | G.S. | C.B. | |
| 1 | 03.06.2022 | FOR CONSTRUCTION | G.S. | C.B. | G.S. | C.B. | 0 0.4 0.8 A1 / A3 |
| 2 | 20.09.2022 | FOR CONSTRUCTION | G.S. | C.B. | G.S. | C.B. | 1:20 / 1:40 |
| 3 | 13.12.2022 | WORK AS CONSTRUCTED | G.S. | S.S. | G.S. | M.L.O. | |

DESIGN FILE N:\

ALL DIMENSIONS ARE IN METRES. DO NOT SCALE

adw Johnson

Hunter Office
 Unit 7/335 Hillsborough Rd
 Warners Bay N.S.W. 2282
 Phone: (02) 4978 5100
 Fax: (02) 4978 5199
 email: hunter@adwjohnson.com.au
 www.adwjohnson.com.au
 ABN 62 129 445 398

CLIENT

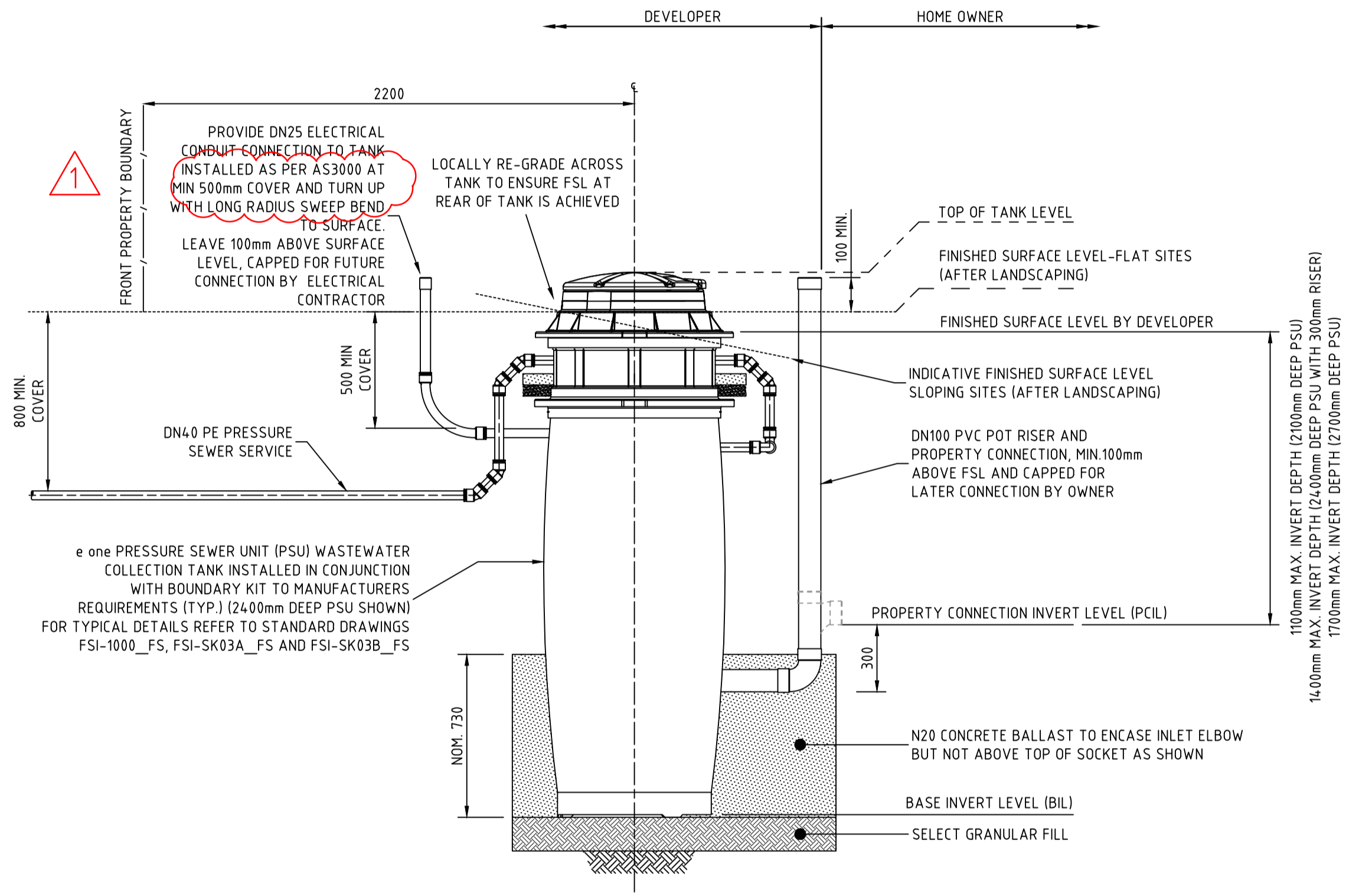
| | |
|----------------------|---|
| PROPERTY DESCRIPTION | PROPOSED SUBDIVISION STAGE 29 HUNTLEE |
| SURVEYED | DATUM |
| Daly.Smith Pty Ltd | GDA94 MGA56 - A.H.D. |

| | | | |
|-------------|---|--------|------|
| PROJECT | POTABLE WATER, RECYCLED WATER AND PRESSURE SEWER RETICULATION | | |
| PLAN TITLE | TYPICAL SERVICE CONNECTION DETAILS | | |
| PROJECT No. | DISCIPLINE | NUMBER | REV. |
| 240037(29) | - WAC - | 402 | 3 |



WASTEWATER COLLECTION TANK DETAILS

| LOT NUMBER | TOP OF TANK | TANK FSL | BASE IL | CONNECTION IL | TANK HEIGHT | TANK LOCATION | EASTING | NORTHING | TOP OF COLLECTION LID | CALCULATED WAC SANITARY DRAINAGE INVERT LEVEL | WAC V'S DESIGN INVERT LEVEL COMPARISON |
|------------|-------------|----------|---------|---------------|-------------|---------------|-----------|------------|-----------------------|---|--|
| 2901 | 56.98 | 56.85 | 54.85 | 55.75 | 2100 | FRONT BATTER | 346792.34 | 6382781.84 | 56.98 | 55.67 | -0.09 |
| 2902 | 57.91 | 57.78 | 55.78 | 56.68 | 2100 | FRONT | 346835.01 | 6382770.94 | 57.91 | 56.60 | -0.09 |
| 2903 | 57.94 | 57.81 | 55.81 | 56.71 | 2100 | FRONT | 346836.95 | 6382770.41 | 57.94 | 56.63 | -0.09 |
| 2904 | 59.06 | 58.93 | 56.93 | 57.83 | 2100 | FRONT BATTER | 346873.11 | 6382779.91 | 59.06 | 57.75 | -0.08 |
| 2905 | 59.11 | 58.98 | 56.98 | 57.88 | 2100 | FRONT BATTER | 346872.82 | 6382777.93 | 59.11 | 57.80 | -0.09 |
| 2906 | 61.21 | 61.08 | 59.08 | 59.98 | 2100 | REAR | 346904.78 | 6382773.24 | 61.21 | 59.90 | -0.08 |
| 2907 | 61.25 | 61.12 | 59.12 | 60.02 | 2100 | REAR | 346905.07 | 6382775.22 | 61.25 | 59.94 | -0.09 |
| 2908 | 63.32 | 63.19 | 61.19 | 62.09 | 2100 | FRONT BATTER | 346958.52 | 6382773.02 | 63.32 | 62.01 | -0.09 |
| 2909 | 62.45 | 62.32 | 60.32 | 61.22 | 2100 | FRONT BATTER | 346954.19 | 6382743.49 | 62.45 | 61.14 | -0.08 |
| 2910 | 62.96 | 62.83 | 60.53 | 61.43 | 2400 | FRONT | 346948.38 | 6382703.86 | 62.96 | 61.35 | -0.08 |
| 2911 | 62.99 | 62.86 | 60.86 | 61.76 | 2100 | FRONT | 346948.09 | 6382701.88 | 62.99 | 61.68 | -0.08 |
| 2912 | 61.16 | 61.03 | 59.03 | 59.93 | 2100 | FRONT | 346907.12 | 6382728.33 | 61.16 | 59.85 | -0.09 |
| 2913 | 60.44 | 60.31 | 58.31 | 59.21 | 2100 | FRONT | 346892.64 | 6382732.26 | 60.44 | 59.13 | -0.09 |
| 2914 | 59.70 | 59.57 | 57.57 | 58.47 | 2100 | FRONT | 346890.71 | 6382732.78 | 59.70 | 58.39 | -0.08 |
| 2915 | 58.90 | 58.77 | 56.77 | 57.67 | 2100 | FRONT | 346861.76 | 6382740.63 | 58.90 | 57.59 | -0.09 |
| 2916 | 58.30 | 58.17 | 56.17 | 57.07 | 2100 | FRONT | 346859.83 | 6382741.15 | 58.30 | 56.99 | -0.09 |
| 2917 | 57.89 | 57.76 | 55.76 | 56.66 | 2100 | FRONT | 346830.87 | 6382749.00 | 57.89 | 56.58 | -0.08 |
| 2918 | 57.85 | 57.72 | 55.72 | 56.62 | 2100 | FRONT | 346828.94 | 6382749.53 | 57.85 | 56.54 | -0.08 |
| 2919 | 57.26 | 57.13 | 55.13 | 56.03 | 2100 | FRONT | 346799.99 | 6382757.38 | 57.26 | 55.95 | -0.09 |
| 2920 | 56.95 | 56.82 | 54.82 | 55.72 | 2100 | FRONT | 346782.13 | 6382762.22 | 56.95 | 55.64 | -0.08 |
| 2921 | 56.83 | 56.70 | 54.40 | 55.30 | 2400 | FRONT BATTER | 346750.22 | 6382767.95 | 56.83 | 55.22 | -0.08 |
| 2922 | 57.40 | 57.27 | 55.27 | 56.17 | 2100 | FRONT | 346745.52 | 6382750.59 | 57.40 | 56.09 | -0.09 |
| 2923 | 57.90 | 57.77 | 55.77 | 56.67 | 2100 | FRONT | 346735.77 | 6382714.62 | 57.90 | 56.59 | -0.09 |
| 2924 | 58.54 | 58.41 | 55.81 | 56.71 | 2700 | FRONT BATTER | 346765.09 | 6382705.08 | 58.54 | 56.63 | -0.09 |
| 2925 | 58.54 | 58.41 | 56.41 | 57.31 | 2100 | REAR | 346791.54 | 6382726.20 | 58.54 | 57.23 | -0.09 |
| 2926 | 59.36 | 59.23 | 57.23 | 58.13 | 2100 | REAR | 346820.49 | 6382718.35 | 59.36 | 58.05 | -0.09 |
| 2927 | 59.44 | 59.31 | 57.31 | 58.21 | 2100 | REAR | 346822.42 | 6382717.83 | 59.44 | 58.13 | -0.09 |
| 2928 | 59.92 | 59.79 | 57.79 | 58.69 | 2100 | REAR | 346851.38 | 6382709.98 | 59.92 | 58.61 | -0.08 |
| 2929 | 59.97 | 59.84 | 57.84 | 58.74 | 2100 | REAR | 346853.31 | 6382709.46 | 59.97 | 58.66 | -0.09 |
| 2930 | 60.66 | 60.53 | 58.53 | 59.43 | 2100 | REAR | 346882.26 | 6382701.61 | 60.66 | 59.35 | -0.09 |
| 2931 | 60.75 | 60.62 | 58.62 | 59.52 | 2100 | REAR | 346884.19 | 6382701.08 | 60.75 | 59.44 | -0.09 |
| 2932 | 63.35 | 63.22 | 61.22 | 62.12 | 2100 | FRONT | 346880.90 | 6382652.35 | 63.35 | 62.04 | -0.08 |
| 2933 | 63.29 | 63.16 | 61.16 | 62.06 | 2100 | FRONT | 346878.97 | 6382652.87 | 63.29 | 61.98 | -0.09 |
| 2934 | 62.44 | 62.31 | 60.31 | 61.21 | 2100 | FRONT | 346846.64 | 6382661.63 | 62.44 | 61.13 | -0.09 |
| 2935 | 61.93 | 61.80 | 59.80 | 60.70 | 2100 | FRONT | 346828.79 | 6382666.48 | 61.93 | 60.62 | -0.09 |
| 2936 | 61.40 | 61.27 | 59.27 | 60.17 | 2100 | FRONT | 346814.31 | 6382670.40 | 61.40 | 60.09 | -0.09 |
| 2937 | 60.83 | 60.70 | 58.70 | 59.60 | 2100 | FRONT | 346799.83 | 6382674.32 | 60.83 | 59.52 | -0.09 |
| 2938 | 60.08 | 59.95 | 57.95 | 58.85 | 2100 | FRONT | 346785.35 | 6382678.25 | 60.08 | 58.77 | -0.09 |
| 2939 | 59.27 | 59.14 | 57.14 | 58.04 | 2100 | FRONT | 346768.94 | 6382682.70 | 59.27 | 57.96 | -0.08 |
| 2940 | 58.64 | 58.51 | 56.51 | 57.41 | 2100 | FRONT BATTER | 346736.80 | 6382692.59 | 58.64 | 57.33 | -0.08 |
| 2941 | 59.45 | 59.32 | 57.32 | 58.22 | 2100 | FRONT | 346733.80 | 6382675.85 | 59.45 | 58.14 | -0.08 |
| 2942 | 59.89 | 59.76 | 57.76 | 58.66 | 2100 | FRONT | 346733.29 | 6382658.89 | 59.89 | 58.58 | -0.08 |



WASTEWATER COLLECTION TANK COUNT

| TANK SIZE | NUMBER OF |
|-----------|-----------|
| 2100 | 39 |
| 2400 | 2 |
| 2700 | 1 |

WORK AS CONSTRUCTED
 THESE DRAWINGS ARE AN ACCURATE REPRESENTATION AS AT 24/11/2022 OF THE WORK-AS-CONSTRUCTED, BUT THE POSITION OF THE WORK RELATIVE TO OTHER STRUCTURES OR BOUNDARIES IS APPROXIMATE ONLY AND HAS NOT BEEN VERIFIED BY PRECISE SURVEY.
 COMPANY ADW Johnson Pty Ltd
 NAME MATHEW DAVID LONDON
 SIGNED [Signature] DATE 07/12/2022
 REGISTERED SURVEYOR

ORIGIN OF W.A.C. LEVELS
 PM 20029
 E 345 612.942
 N 6 382 878.917
 RL 77.675m
 Co-Ord System: MGA Ground
 MGA Datum: GDA94
 MGA Zone: 56

APPROVED FOR CONSTRUCTION BY ADW Johnson Pty Ltd
 Date Approved: 20/12/2021

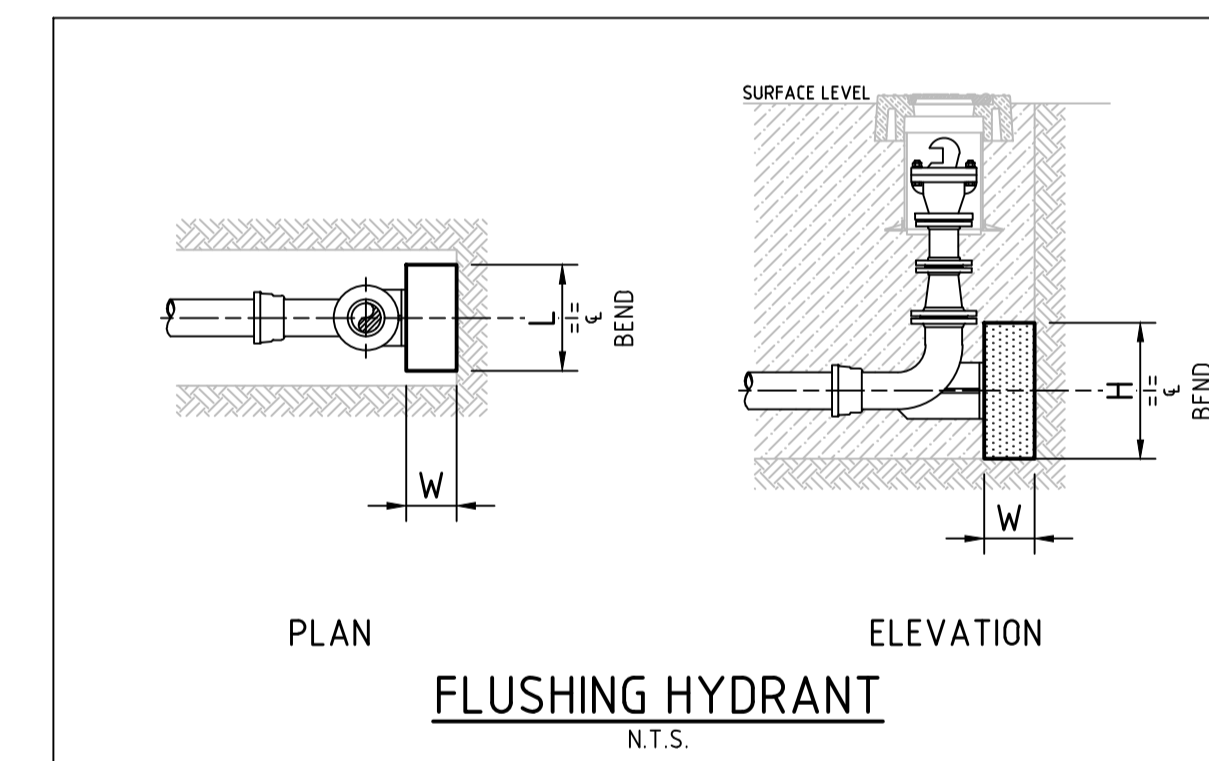
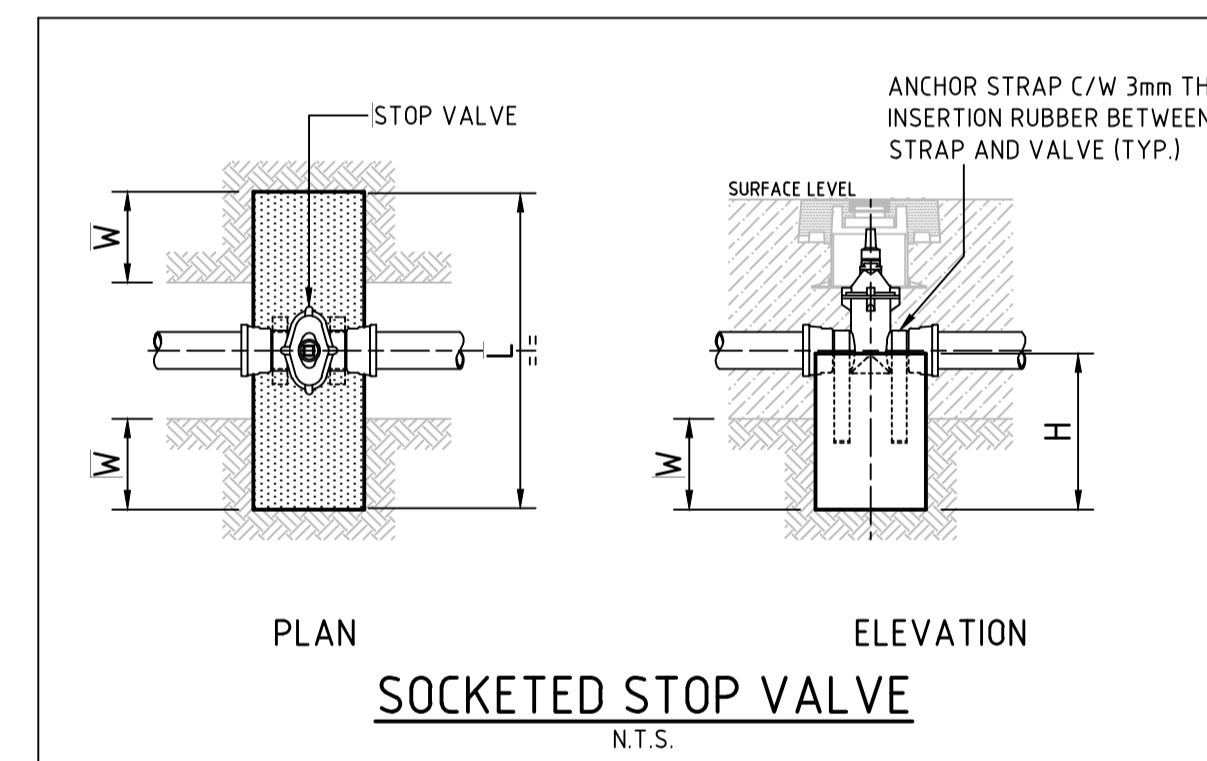
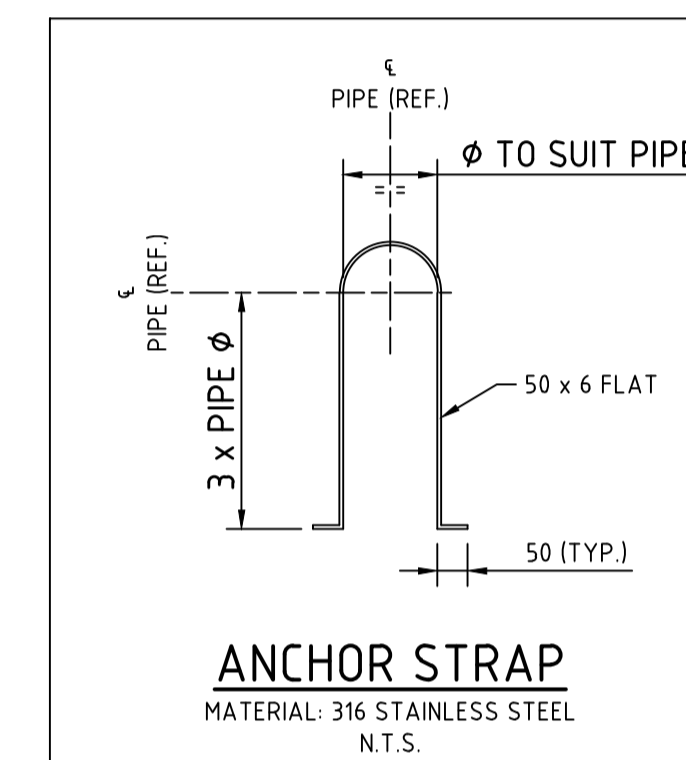
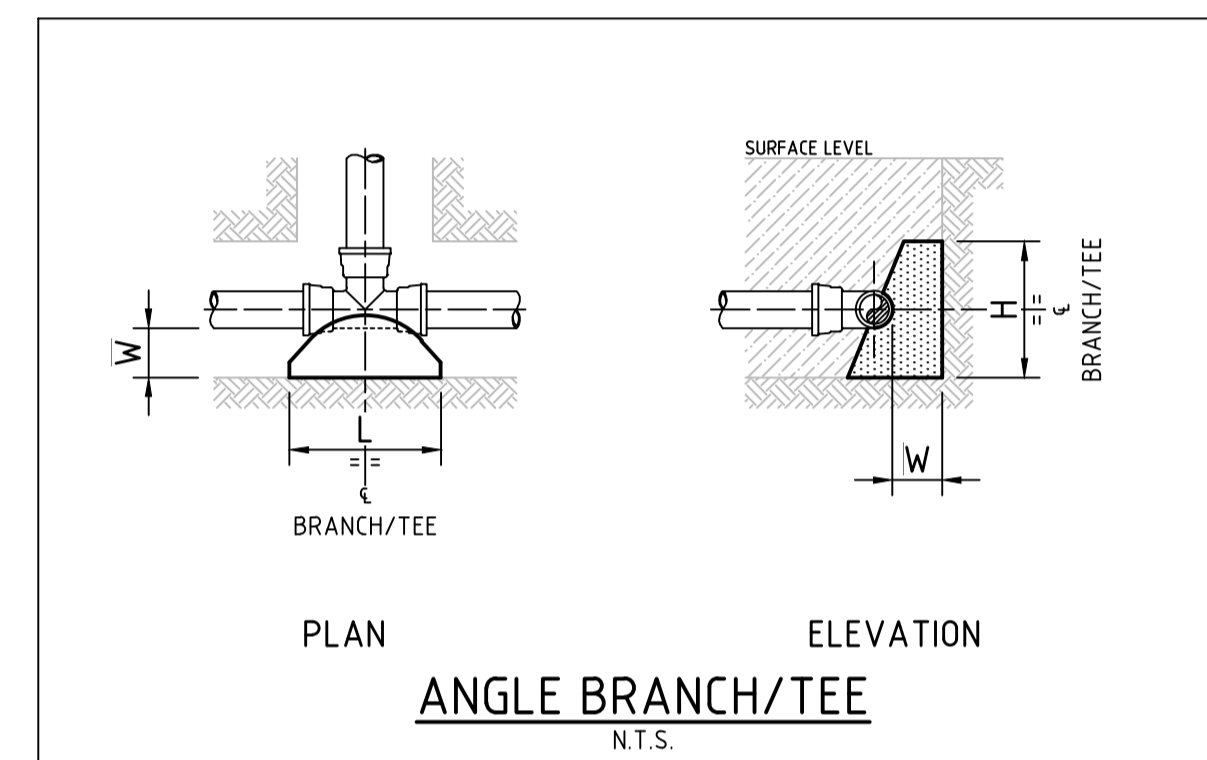
WORK AS CONSTRUCTED

| REV. | DATE | AMENDMENT | DRAWN | CHECK | DESIGN | VERIFY | SCALES | CLIENT | PROPERTY DESCRIPTION | PROJECT | PLAN TITLE | PROJECT No. | DISCIPLINE | NUMBER | REV. |
|------|------------|---------------------|-------|-------|--------|--------|-------------------|--|---|--|--|-------------|------------|--------|------|
| A | 13.10.2021 | PRELIMINARY ISSUE | G.S. | C.B. | G.S. | C.B. | 0 0.4 0.8 A1 / A3 | Hunter Office Unit 7/335 Hillsborough Rd Warners Bay N.S.W. 2282 Phone: (02) 4978 5100 Fax: (02) 4978 5199 email: hunter@adwjohnson.com.au www.adwjohnson.com.au ABN 62 129 445 398 | PROPOSED SUBDIVISION STAGE 29 HUNTLEE | POTABLE WATER, RECYCLED WATER AND PRESSURE SEWER RETICULATION | WASTE WATER COLLECTION TANK LEVEL DETAILS | 240037(29) | - WAC - | 403 | 3 |
| B | 22.11.2021 | ALTOGETHER COMMENTS | G.S. | C.B. | G.S. | C.B. | 1:20 / 1:40 | altogether. | | | | | | | |
| 0 | 20.12.2021 | FOR CONSTRUCTION | G.S. | C.B. | G.S. | C.B. | | | | | | | | | |
| 1 | 03.06.2022 | FOR CONSTRUCTION | G.S. | C.B. | G.S. | C.B. | | | | | | | | | |
| 2 | 20.09.2022 | FOR CONSTRUCTION | G.S. | C.B. | G.S. | C.B. | | | | | | | | | |
| 3 | 13.12.2022 | WORK AS CONSTRUCTED | G.S. | S.S. | G.S. | M.L.O. | | | | | | | | | |

THRUST BLOCK NOTES:

- "N" DENOTES NOMINAL THRUST AREA TO BE ACHIEVED BY POURING CONCRETE THE FULL LENGTH OF THE FITTING AND EXTENDING FROM THE FLOOR OF THE TRENCH TO NOM. 100mm ABOVE THE FITTING.
- CONCRETE THRUST BLOCKS ARE TO BE PROVIDED FOR ALL FITTINGS IN ACCORDANCE WITH TABLE.
- THRUST BLOCK DIMENSIONS ARE BASED ON THE MINIMUM ALLOWABLE HORIZONTAL BEARING PRESSURES OF THE SOIL AS SHOWN. IF GROUND CONDITIONS ENCOUNTERED INDICATE THAT THESE BEARING PRESSURES MAY NOT BE ACHIEVED, THRUST BLOCK DESIGN IS TO BE REVISED.
- THRUST BLOCKS ARE TO BE CONSTRUCTED SUCH THAT THEY TRANSFER THE THRUST ONTO UNDISTURBED GROUND. THRUST BLOCKS ARE NOT TO INTERFERE WITH OTHER SERVICES.
- FINISH THRUST BLOCKS APPROXIMATELY 100mm ABOVE THE TOP OF THE FITTING OR BEARING PAD AND EXTEND TO THE FLOOR OF THE TRENCH OR DEEPER IF NECESSARY TO ACHIEVE THE REQUIRED THRUST AREA. MAXIMUM ENCASEMENT TO BE 180°.
- CONCRETE FOR THE THRUST BLOCKS TO BE GRADE S25 USING CEMENT TYPE "SR" TO AS3972. CONCRETE TO BE MECHANICALLY VIBRATED.
- CONCRETE THRUST BLOCKS ARE TO BE CURED FOR A MINIMUM OF 7 DAYS BEFORE BEING SUBJECTED TO ANY THRUST LOAD.
- REFER TO WAT-1205-V FOR GENERAL FITTING THRUST BLOCK ARRANGEMENTS.
- REFER TO WAT-1207-V FOR GENERAL VALVE AND VERTICAL BEND THRUST BLOCK ARRANGEMENTS.
- THRUST BLOCK TO EXTEND 300mm MINIMUM INTO BASE AND SIDE WALLS OF TRENCH.
- PROVIDE 3mm THK. INSERTION RUBBER BETWEEN ANCHOR STRAP AND PIPE BARREL.

| TYPE | FITTING | SOIL AHBP (kPa) | DESIGN STP (kPa) | THRUST | TA (m ²) | LENGTH (L) | HEIGHT (H) | WIDTH (W) |
|------|--------------------------------|-----------------|------------------|--------|----------------------|------------|------------|-----------|
| 1 | DN100 x DN100 EQUAL TEE | 100 | 1500 | 18.00 | 0.18 | 0.45 | 0.40 | 0.30 |
| 2 | DN100 x 22.5° HORIZONTAL BEND | 100 | 1500 | 7.50 | 0.08 | N | N | 0.30 |
| 3 | DN100 x 11.25° HORIZONTAL BEND | 100 | 1500 | 7.50 | 0.08 | N | N | 0.30 |
| 4 | DN100 SOCKETED STOP VALVE | 100 | 1500 | 18.00 | 0.18 | 1.05 | 0.44 | 0.30 |
| 5 | DN100 FLUSHING HYDRANT | 100 | 1500 | 18.00 | 0.18 | 0.45 | 0.40 | 0.30 |
| 6 | DN150 x DN150 EQUAL TEE | 100 | 1500 | 37.50 | 0.38 | 0.50 | 0.75 | 0.30 |
| 7 | DN150 SOCKETED STOP VALVE | 100 | 1500 | 37.50 | 0.38 | 1.05 | 0.46 | 0.30 |
| 8 | DN150 FLUSHING HYDRANT | 100 | 1500 | 37.50 | 0.38 | 0.50 | 0.76 | 0.30 |



WORK AS CONSTRUCTED
THESE DRAWINGS ARE AN ACCURATE REPRESENTATION AS AT 24/11/2022 OF THE WORK-AS-CONSTRUCTED, BUT THE POSITION OF THE WORK RELATIVE TO OTHER STRUCTURES OR BOUNDARIES IS APPROXIMATE ONLY AND HAS NOT BEEN VERIFIED BY PRECISE SURVEY.
COMPANY: ADW Johnson Pty Ltd
NAME: MATHEW DAVID LONDON
SIGNED: [Signature] DATE: 07/12/2022
REGISTERED SURVEYOR

ORIGIN OF W.A.C. LEVELS
PM: 20029
E: 345 612 942
N: 6 382 878 917
RL: 77.675m
Co-Ord System: MGA Ground
MGA Datum: GDA94
MGA Zone: 56

APPROVED FOR CONSTRUCTION
BY ADW Johnson Pty Ltd
Date Approved: 20/12/2021

WORK AS CONSTRUCTED

| REV. | DATE | AMENDMENT | DRAWN | CHECK | DESIGN | VERIFY | SCALES |
|------|------------|---------------------|-------|-------|--------|--------|--------|
| A | 13.10.2021 | PRELIMINARY ISSUE | G.S. | C.B. | G.S. | C.B. | |
| B | 22.11.2021 | ALTOGETHER COMMENTS | G.S. | C.B. | G.S. | C.B. | |
| 0 | 20.12.2021 | FOR CONSTRUCTION | G.S. | C.B. | G.S. | C.B. | |
| 1 | 03.06.2022 | FOR CONSTRUCTION | G.S. | C.B. | G.S. | C.B. | |
| 2 | 20.09.2022 | FOR CONSTRUCTION | G.S. | C.B. | G.S. | C.B. | |
| 3 | 13.12.2022 | WORK AS CONSTRUCTED | G.S. | S.S. | G.S. | M.L.O. | |

adw Johnson
Hunter Office
Unit 7/335 Hillsborough Rd
Warners Bay N.S.W. 2282
Phone: (02) 4978 5100
Fax: (02) 4978 5199
email: hunter@adwjohnson.com.au
www.adwjohnson.com.au
ABN 62 129 445 398

CLIENT
altogether.

PROPERTY DESCRIPTION
PROPOSED SUBDIVISION
STAGE 29
HUNTLEE
SURVEYED
Daly Smith Pty Ltd
DATUM
GDA94 MGA56 - A.H.D.

PROJECT
POTABLE WATER, RECYCLED WATER AND PRESSURE SEWER RETICULATION
PLAN TITLE
THRUST BLOCK DETAILS
PROJECT No.
240037(29)
DISCIPLINE
- WAC -
NUMBER
404
REV.
3



| Point Table | | | | |
|-------------|-----------|------------|--------|----------|
| Point # | Eastings | Northings | Levels | Codes |
| 1 | 346954.79 | 6382744.23 | 62.42 | seBDYKIT |
| 2 | 346958.51 | 6382772.47 | 63.32 | seBDYKIT |
| 3 | 346933.04 | 6382769.26 | 62.37 | seBDYKIT |
| 4 | 346933.34 | 6382771.08 | 62.37 | seBDYKIT |
| 5 | 346872.22 | 6382777.38 | 59.02 | seBDYKIT |
| 6 | 346872.84 | 6382780.82 | 58.95 | seBDYKIT |
| 7 | 346837.66 | 6382770.47 | 57.85 | seBDYKIT |
| 8 | 346834.23 | 6382771.08 | 57.86 | seBDYKIT |
| 9 | 346908.03 | 6382728.22 | 61.09 | seBDYKIT |
| 10 | 346893.33 | 6382732.04 | 60.38 | seBDYKIT |
| 11 | 346878.84 | 6382736.05 | 59.67 | seBDYKIT |
| 12 | 346862.60 | 6382740.62 | 58.84 | seBDYKIT |
| 13 | 346847.39 | 6382744.74 | 58.17 | seBDYKIT |
| 14 | 346831.55 | 6382748.82 | 57.84 | seBDYKIT |
| 15 | 346828.18 | 6382749.85 | 57.85 | seBDYKIT |
| 16 | 346800.69 | 6382757.23 | 57.17 | seBDYKIT |
| 17 | 346783.08 | 6382762.04 | 56.85 | seBDYKIT |
| 18 | 346793.32 | 6382782.12 | 56.85 | seBDYKIT |
| 19 | 346751.43 | 6382768.54 | 56.80 | seBDYKIT |
| 20 | 346744.16 | 6382750.30 | 57.34 | seBDYKIT |
| 21 | 346739.91 | 6382730.63 | 57.85 | seBDYKIT |
| 22 | 346735.30 | 6382692.30 | 58.63 | seBDYKIT |
| 23 | 346733.32 | 6382675.33 | 59.42 | seBDYKIT |
| 24 | 346733.15 | 6382658.11 | 59.80 | seBDYKIT |
| 25 | 346769.83 | 6382682.77 | 59.15 | seBDYKIT |
| 26 | 346765.56 | 6382704.85 | 58.51 | seBDYKIT |
| 27 | 346784.10 | 6382698.67 | 59.42 | seBDYKIT |
| 28 | 346786.15 | 6382678.44 | 59.97 | seBDYKIT |
| 29 | 346800.42 | 6382674.36 | 60.81 | seBDYKIT |
| 30 | 346813.09 | 6382690.78 | 60.59 | seBDYKIT |
| 31 | 346815.01 | 6382690.31 | 60.63 | seBDYKIT |
| 32 | 346845.57 | 6382681.82 | 61.60 | seBDYKIT |
| 33 | 346844.02 | 6382682.26 | 61.57 | seBDYKIT |
| 34 | 346815.10 | 6382670.81 | 61.27 | seBDYKIT |
| 35 | 346829.45 | 6382666.61 | 61.82 | seBDYKIT |
| 36 | 346847.12 | 6382660.81 | 62.36 | seBDYKIT |
| 37 | 346878.32 | 6382653.17 | 63.29 | seBDYKIT |
| 38 | 346881.73 | 6382652.68 | 63.31 | seBDYKIT |
| 39 | 346876.76 | 6382673.52 | 62.46 | seBDYKIT |
| 40 | 346874.97 | 6382674.03 | 62.44 | seBDYKIT |

| Point Table | | | | |
|-------------|-----------|------------|--------|----------|
| Point # | Eastings | Northings | Levels | Codes |
| 41 | 346947.90 | 6382701.24 | 62.88 | seBDYKIT |
| 42 | 346948.27 | 6382704.71 | 62.86 | seBDYKIT |
| 43 | 346783.34 | 6382766.95 | 56.53 | seFP |
| 44 | 346790.31 | 6382794.85 | 56.23 | seFP |
| 45 | 346758.75 | 6382773.73 | 56.29 | seFP |
| 46 | 346739.42 | 6382694.48 | 58.31 | seFP |
| 47 | 346943.75 | 6382697.36 | 62.78 | seFP |
| 48 | 346978.51 | 6382723.50 | 63.53 | seFP |
| 49 | 346899.77 | 6382652.14 | 63.17 | seFP |
| 50 | 346728.89 | 6382647.72 | 60.05 | seFP |
| 51 | 346792.81 | 6382781.58 | 56.88 | seSPT |
| 52 | 346834.99 | 6382770.96 | 57.88 | seSPT |
| 53 | 346836.89 | 6382770.60 | 57.89 | seSPT |
| 54 | 346872.70 | 6382780.11 | 58.97 | seSPT |
| 55 | 346872.33 | 6382778.16 | 59.04 | seSPT |
| 56 | 346904.77 | 6382773.20 | 61.19 | seSPT |
| 57 | 346905.13 | 6382775.19 | 61.22 | seSPT |
| 58 | 346958.61 | 6382773.29 | 63.31 | seSPT |
| 59 | 346954.47 | 6382743.42 | 62.42 | seSPT |
| 60 | 346948.16 | 6382704.03 | 62.88 | seSPT |
| 61 | 346948.01 | 6382702.00 | 62.88 | seSPT |
| 62 | 346907.30 | 6382728.45 | 61.11 | seSPT |
| 63 | 346892.66 | 6382732.37 | 60.39 | seSPT |
| 64 | 346878.10 | 6382736.28 | 59.69 | seSPT |
| 65 | 346861.86 | 6382740.82 | 58.87 | seSPT |
| 66 | 346846.68 | 6382745.00 | 58.18 | seSPT |
| 67 | 346830.81 | 6382749.04 | 57.85 | seSPT |
| 68 | 346828.88 | 6382749.66 | 57.85 | seSPT |
| 69 | 346800.00 | 6382757.43 | 57.20 | seSPT |
| 70 | 346782.38 | 6382762.23 | 56.87 | seSPT |
| 71 | 346750.70 | 6382768.26 | 56.84 | seSPT |
| 72 | 346744.40 | 6382751.00 | 57.34 | seSPT |
| 73 | 346740.07 | 6382731.31 | 57.87 | seSPT |
| 74 | 346764.98 | 6382705.04 | 58.60 | seSPT |
| 75 | 346791.56 | 6382726.16 | 58.54 | seSPT |
| 76 | 346820.50 | 6382718.42 | 59.34 | seSPT |
| 77 | 346822.38 | 6382717.90 | 59.41 | seSPT |
| 78 | 346851.42 | 6382710.00 | 59.89 | seSPT |
| 79 | 346853.27 | 6382709.45 | 59.89 | seSPT |
| 80 | 346882.16 | 6382701.71 | 60.74 | seSPT |

| Point Table | | | | |
|-------------|-----------|------------|--------|--------|
| Point # | Eastings | Northings | Levels | Codes |
| 81 | 346884.27 | 6382701.12 | 60.82 | seSPT |
| 82 | 346881.04 | 6382652.78 | 63.34 | seSPT |
| 83 | 346879.02 | 6382653.07 | 63.31 | seSPT |
| 84 | 346846.44 | 6382661.01 | 62.37 | seSPT |
| 85 | 346828.79 | 6382666.79 | 61.88 | seSPT |
| 86 | 346814.33 | 6382670.94 | 61.34 | seSPT |
| 87 | 346799.79 | 6382674.49 | 60.84 | seSPT |
| 88 | 346785.41 | 6382678.59 | 60.06 | seSPT |
| 89 | 346769.05 | 6382682.97 | 59.27 | seSPT |
| 90 | 346735.95 | 6382692.15 | 58.63 | seSPT |
| 91 | 346733.43 | 6382676.07 | 59.45 | seSPT |
| 92 | 346733.25 | 6382658.82 | 59.81 | seSPT |
| 93 | 346866.88 | 6382763.62 | 58.08 | seSV |
| 94 | 346922.52 | 6382728.16 | 61.71 | seSV |
| 95 | 346783.33 | 6382766.29 | 56.56 | seSV |
| 96 | 346790.20 | 6382793.89 | 56.23 | seSV |
| 97 | 346747.05 | 6382768.37 | 56.69 | seSV |
| 98 | 346738.52 | 6382695.22 | 58.29 | seSV |
| 99 | 346943.77 | 6382700.67 | 62.72 | seSV |
| 100 | 346979.06 | 6382722.47 | 63.66 | seSV |
| 101 | 346898.05 | 6382652.12 | 63.15 | seSV |
| 102 | 346728.93 | 6382648.90 | 59.95 | seSV |
| 103 | 346941.59 | 6382785.55 | 62.58 | waHYD |
| 104 | 346865.35 | 6382766.02 | 57.97 | waHYD |
| 105 | 346922.38 | 6382732.40 | 61.47 | waHYD |
| 106 | 346845.00 | 6382751.02 | 57.92 | waHYD |
| 107 | 346788.66 | 6382797.46 | 56.18 | waHYD |
| 108 | 346765.04 | 6382773.01 | 56.22 | waHYD |
| 109 | 346739.14 | 6382696.86 | 58.25 | waHYD |
| 110 | 346728.30 | 6382689.76 | 58.80 | waHYD |
| 111 | 346726.91 | 6382645.89 | 59.90 | waHYD |
| 112 | 346897.65 | 6382655.26 | 62.99 | waHYD |
| 113 | 346938.88 | 6382680.77 | 62.83 | waHYD |
| 114 | 346944.65 | 6382719.26 | 62.37 | waHYD |
| 115 | 346944.92 | 6382721.65 | 62.35 | waHYD |
| 116 | 346981.96 | 6382723.98 | 63.68 | waHYD |
| 117 | 346845.63 | 6382668.00 | 61.87 | waHYD |
| 118 | 346941.14 | 6382785.65 | 62.60 | waHYDR |
| 119 | 346865.96 | 6382765.99 | 57.99 | waHYDR |
| 120 | 346922.30 | 6382731.76 | 61.50 | waHYDR |

| Point Table | | | | |
|-------------|-----------|------------|--------|--------|
| Point # | Eastings | Northings | Levels | Codes |
| 121 | 346789.23 | 6382797.70 | 56.19 | waHYDR |
| 122 | 346764.86 | 6382772.53 | 56.24 | waHYDR |
| 123 | 346739.06 | 6382696.42 | 58.27 | waHYDR |
| 124 | 346728.71 | 6382689.88 | 58.85 | waHYDR |
| 125 | 346727.36 | 6382645.89 | 59.88 | waHYDR |
| 126 | 346897.41 | 6382654.84 | 63.00 | waHYDR |
| 127 | 346939.39 | 6382680.67 | 62.84 | waHYDR |
| 128 | 346981.90 | 6382723.39 | 63.73 | waHYDR |
| 129 | 346844.89 | 6382750.64 | 58.02 | waHYDR |
| 130 | 346945.12 | 6382719.34 | 62.47 | waHYDR |
| 131 | 346945.61 | 6382721.79 | 62.47 | waHYDR |
| 132 | 346865.18 | 6382764.93 | 57.99 | waSV |
| 133 | 346923.27 | 6382732.24 | 61.54 | waSV |
| 134 | 346845.86 | 6382750.84 | 57.95 | waSV |
| 135 | 346763.26 | 6382773.57 | 56.24 | waSV |
| 136 | 346738.05 | 6382697.20 | 58.22 | waSV |
| 137 | 346728.23 | 6382688.35 | 58.90 | waSV |
| 138 | 346726.91 | 6382646.67 | 59.90 | waSV |
| 139 | 346898.78 | 6382655.14 | 63.01 | waSV |
| 140 | 346939.15 | 6382682.25 | 62.82 | waSV |
| 141 | 346944.74 | 6382720.49 | 62.35 | waSV |
| 142 | 346956.14 | 6382727.60 | 62.01 | waSV |
| 143 | 346865.76 | 6382765.13 | 58.01 | waSVR |
| 144 | 346923.96 | 6382731.56 | 61.56 | waSVR |
| 145 | 346763.73 | 6382772.79 | 56.22 | waSVR |
| 146 | 346737.64 | 6382696.87 | 58.21 | waSVR |
| 147 | 346728.61 | 6382688.80 | 58.90 | waSVR |
| 148 | 346727.56 | 6382646.66 | 59.86 | waSVR |
| 149 | 346898.43 | 6382654.64 | 63.01 | waSVR |
| 150 | 346939.55 | 6382681.80 | 62.81 | waSVR |
| 151 | 346955.72 | 6382727.13 | 62.03 | waSVR |
| 152 | 346846.13 | 6382750.32 | 58.06 | waSVR |
| 153 | 346945.33 | 6382720.26 | 62.45 | waSVR |
| 154 | 346946.66 | 6382703.53 | 62.67 | waTAP |
| 155 | 346953.32 | 6382744.22 | 62.13 | waTAP |
| 156 | 346956.70 | 6382772.71 | 62.58 | waTAP |
| 157 | 346933.49 | 6382770.34 | 62.34 | waTAP |
| 158 | 346933.38 | 6382769.81 | 62.34 | waTAP |
| 159 | 346871.43 | 6382779.63 | 58.61 | waTAP |
| 160 | 346871.35 | 6382779.10 | 58.57 | waTAP |

| Point Table | | | | |
|-------------|-----------|------------|--------|--------|
| Point # | Eastings | Northings | Levels | Codes |
| 161 | 346835.35 | 6382769.27 | 57.70 | waTAP |
| 162 | 346836.19 | 6382769.06 | 57.73 | waTAP |
| 163 | 346906.98 | 6382729.98 | 60.94 | waTAP |
| 164 | 346892.34 | 6382733.94 | 60.12 | waTAP |
| 165 | 346877.94 | 6382737.93 | 59.46 | waTAP |
| 166 | 346861.33 | 6382742.38 | 58.67 | waTAP |
| 167 | 346846.38 | 6382746.55 | 57.97 | waTAP |
| 168 | 346830.21 | 6382750.69 | 57.61 | waTAP |
| 169 | 346830.66 | 6382750.55 | 57.63 | waTAP |
| 170 | 346799.61 | 6382758.90 | 57.04 | waTAP |
| 171 | 346781.77 | 6382763.87 | 56.60 | waTAP |
| 172 | 346791.26 | 6382782.72 | 56.52 | waTAP |
| 173 | 346749.76 | 6382768.24 | 56.63 | waTAP |
| 174 | 346743.85 | 6382751.96 | 57.22 | waTAP |
| 175 | 346738.93 | 6382750.55 | 57.69 | waTAP |
| 176 | 346736.74 | 6382693.12 | 58.41 | waTAP |
| 177 | 346732.37 | 6382676.46 | 59.32 | waTAP |
| 178 | 346768.96 | 6382684.32 | 59.10 | waTAP |
| 179 | 346763.98 | 6382703.66 | 58.50 | waTAP |
| 180 | 346783.36 | 6382698.57 | 59.39 | waTAP |
| 181 | 346785.32 | 6382680.07 | 59.77 | waTAP |
| 182 | 346799.73 | 6382676.04 | 60.47 | waTAP |
| 183 | 346813.54 | 6382690.32 | 60.55 | waTAP |
| 184 | 346814.16 | 6382690.18 | 60.54 | waTAP |
| 185 | 346844.40 | 6382681.78 | 61.49 | waTAP |
| 186 | 346844.99 | 6382681.61 | 61.50 | waTAP |
| 187 | 346814.32 | 6382672.39 | 60.84 | waTAP |
| 188 | 346828.73 | 6382668.21 | 61.52 | waTAP |
| 189 | 346846.41 | 6382663.21 | 61.97 | waTAP |
| 190 | 346880.47 | 6382653.80 | 63.09 | waTAP |
| 191 | 346879.89 | 6382653.90 | 63.08 | waTAP |
| 192 | 346876.06 | 6382673.47 | 62.45 | waTAP |
| 193 | 346875.49 | 6382673.67 | 62.42 | waTAP |
| 194 | 346946.66 | 6382703.53 | 62.67 | waTAP |
| 195 | 346946.59 | 6382702.92 | 62.68 | waTAP |
| 196 | 346953.27 | 6382743.88 | 62.12 | waTAPR |
| 197 | 346956.76 | 6382772.96 | | |